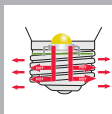


LED LAMPS



Heat-to-Base

The advanced Heat-to-Base structure allows quick heat transfer. It helps to lower the junction temperature of LEDs and at the same time maintain the glass shape design.

ProLED[®] Sign Lamp Series



IP65 Rated



25,000 Hour Life



5-YEAR WARRANTY

Ideal LED solution for replacing Incandescent or Cold Cathode sign lamps



White



Yellow



Orange



Red



Blue



Green



**Long Life Reduces
Maintenance Cost**

**Designed For Rapidly
Flashing Sign Applications**

5-Year Limited Warranty

Applications:

Outdoor Sign
Retail

Markets:

Residential
Commercial



Contact Your Customer Care Specialist
For Pricing, Orders And Technical Support.

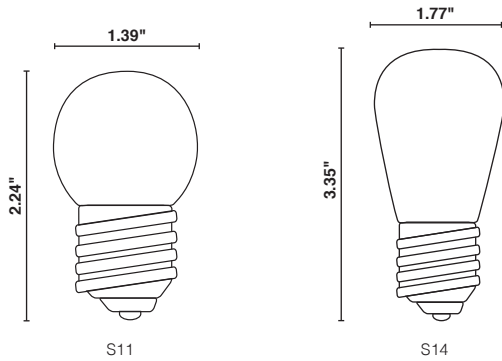
800.677.3334 www.halcolighting.com

ProLED[®] Sign Lamp Series

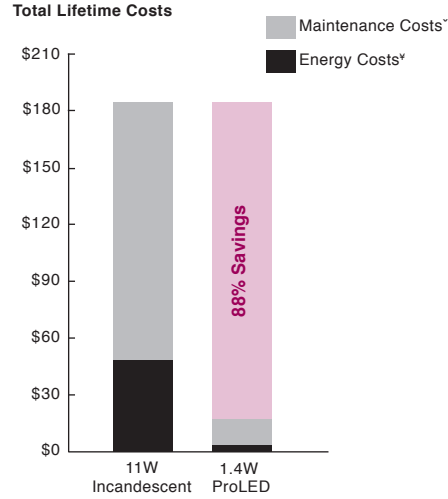
Product #: _____ Type: _____
 Project: _____ Date: _____
 Comments: _____ Initials: _____

Specifications

- Dimmable
- Unique "Heat-to-Base" structure allows for heat to be dissipated through the lamp base minimizing the need for a visible heat sink
- UL Listed for wet locations
- Available in red, blue, green, yellow, orange, white and clear 2700K options



Energy Savings Comparison



* Maintenance costs based on 15 minutes at \$40 per/hr
 ¥ Energy costs based on \$0.11 kWh

Ordering Information



| Watt | Base | Product # | Product Code | Description | Volts | Color Temp. | CRI | Lumens | Useful Life* | Pkg. Qty. | MOL |
|------------|--------------|-----------|---------------------|--------------------|-------|-------------|-----|--------|--------------|-----------|-------|
| S11 | | | | | | | | | | | |
| 1.2 | Intermediate | 80525 | S11CL1C/827/INT/LED | Clear, IP65 Rated | 120 | 2700 | 82 | 35 | 25,000 | 1/25 | 2.24" |
| 1.2 | Medium | 80524 | S11CL1C/827/LED | Clear, IP65 Rated | 120 | 2700 | 82 | 35 | 25,000 | 1/25 | 2.24" |
| 1.2 | Medium | 80526 | S11WH1C/LED | White, IP65 Rated | 120 | - | - | - | 25,000 | 1/25 | 2.24" |
| S14 | | | | | | | | | | | |
| 1.4 | Medium | 80517 | S14RED1C/LED | Red, IP65 Rated | 120 | - | - | - | 25,000 | 1/25 | 3.35" |
| 1.4 | Medium | 80518 | S14BLU1C/LED | Blue, IP65 Rated | 120 | - | - | - | 25,000 | 1/25 | 3.35" |
| 1.4 | Medium | 80519 | S14GRN1C/LED | Green, IP65 Rated | 120 | - | - | - | 25,000 | 1/25 | 3.35" |
| 1.4 | Medium | 80520 | S14YEL1C/LED | Yellow, IP65 Rated | 120 | - | - | - | 25,000 | 1/25 | 3.35" |
| 1.4 | Medium | 80521 | S14WH1C/LED | White, IP65 Rated | 120 | - | - | - | 25,000 | 1/25 | 3.35" |
| 1.4 | Medium | 80523 | S14ORG1C/LED | Orange, IP65 Rated | 120 | - | - | - | 25,000 | 1/25 | 3.35" |
| 1.4 | Medium | 80522 | S14CL1C/827/LED | Clear, IP65 Rated | 120 | 2700 | 82 | 35 | 25,000 | 1/25 | 3.35" |

NEW ITEM

* Useful Life is defined as the point in time at which the lamp will maintain at least 70% of its initial lumens. The lamp will continue to burn past this point, but at decreased light levels.

Warranty – Commercial / Industrial: This product is warranted for 5 years from the date of purchase, based on 10 hours of use per day.

Not for use in enclosed fixtures.