

LED Luminaires

ProLED SekTorArea Light Series

- Lumen Packages Covering 14,000-44,000 Lumens
- Multiple Mounting Options
- Easy Control Solutions
- Superior Optical Performance
- High Efficacy at > 145LPW

Specifications

Description

The SekTor Area Light offers a modern, sleek diecast design which optimizes heat dissipation and thermal flow. The precision TIR optics illuminate the entire optical aperture, creating a visual comfort appearance without sacrificing performance. The SekTor Area Light comes standard with a pre-installed, easy access controls port that readily accepts the quick connect DC motion sensor. With multiple installer friendly mounting options and hundreds of possible configurations, the SekTor Area Light is a great solution for almost any site lighting application.

Performance

- 100, 150, 200, 240 & 300W Wattage Options
- 4000k & 5000K Color Temperatures
- >145 LPW
- L70 Lumen Maintenance > 100,000 Hours
- 5 Year Limited Warranty
- 0-10V Dimming
- 120-277V

Construction

- Compact Lightweight Design with Low EPA Rating
- Two Piece Diecast Aluminum Housing with Integral Heat Sink
- High Efficiency Polycarbonate Total Internal Reflection (TIR) Optics
- Hinged Driver Compartment for Ease of Access
- Corrosion Resistant Diecast Aluminum Housing with Powder Coat Finish



Applications

- General Outdoor Area & Site Lighting
- Auto Dealerships
- Parking Lot
- Roadway
- Security Lighting
- Campuses

Certifications

- cULus
- FCC
- UL Wet Location
- IP65
- DLC Premium

Controls

- 0-10 VDC Dimming Standard
- Plug & Play DC Motion Sensor
- 7PR & Photocell

ProLED SekTor Area Light Series

Product Description

Ordering Logic EX: SAL-200-T3-40-U-7PR

Series	Wattage	Distribution	CCT	Voltage	Options
SAL = SekTor Area Light	100 = 100 Watts 150 = 150 Watts 200 = 200 Watts 240 = 240 Watts 300 = 300 Watts	T2 = Type II* T3 = Type III T4 = Type IV* T5 = Type V	40 = 4000K 50 = 5000K	U = 120 277 VAC H = 347-480 VAC*	7PR = 7 Pin Receptacle w/Photocell* SPD = 10kVA Surge Suppression*

* For Options and Non-Stock Items - Lead Times Apply

** Mounting Ordered Separately

Ordering Information

	Product SKU	Product Code	Product Description
Stock Fixtures	24850	SAL-100-T3-40-U	SekTor Area, 100W, Type 3, 4000K, 120-277 UNV Voltage
	24851	SAL-100-T5-40-U	SekTor Area, 100W, Type 5, 4000K, 120-277 UNV Voltage
	24852	SAL-100-T3-50-U	SekTor Area, 100W, Type 3, 5000K, 120-277 UNV Voltage
	24853	SAL-100-T5-50-U	SekTor Area, 100W, Type 5, 5000K, 120-277 UNV Voltage
	24854	SAL-150-T3-40-U	SekTor Area, 150W, Type 3, 4000K, 120-277 UNV Voltage
	24855	SAL-150-T5-40-U	SekTor Area, 150W, Type 5, 4000K, 120-277 UNV Voltage
	24856	SAL-150-T3-50-U	SekTor Area, 150W, Type 3, 5000K, 120-277 UNV Voltage
	24857	SAL-150-T5-50-U	SekTor Area, 150W, Type 5, 5000K, 120-277 UNV Voltage
	24858	SAL-200-T3-40-U	SekTor Area, 200W, Type 3, 4000K, 120-277 UNV Voltage
	24859	SAL-200-T5-40-U	SekTor Area, 200W, Type 5, 4000K, 120-277 UNV Voltage
	24860	SAL-200-T3-50-U	SekTor Area, 200W, Type 3, 5000K, 120-277 UNV Voltage
	24861	SAL-200-T5-50-U	SekTor Area, 200W, Type 5, 5000K, 120-277 UNV Voltage
	24862	SAL-240-T3-40-U	SekTor Area, 240W, Type 3, 4000K, 120-277 UNV Voltage
	24863	SAL-240-T5-40-U	SekTor Area, 240W, Type 5, 4000K, 120-277 UNV Voltage
	24864	SAL-240-T3-50-U	SekTor Area, 240W, Type 3, 5000K, 120-277 UNV Voltage
	24865	SAL-240-T5-50-U	SekTor Area, 240W, Type 5, 5000K, 120-277 UNV Voltage
	24866	SAL-300-T3-40-U	SekTor Area, 300W, Type 3, 4000K, 120-277 UNV Voltage
	24867	SAL-300-T5-40-U	SekTor Area, 300W, Type 5, 4000K, 120-277 UNV Voltage
	24868	SAL-300-T3-50-U	SekTor Area, 300W, Type 3, 5000K, 120-277 UNV Voltage
24869	SAL-300-T5-50-U	SekTor Area, 300W, Type 5, 5000K, 120-277 UNV Voltage	
Mounting Arms			
	24870	SEK-SF	SekTor Slipfit Knuckle Mount
	24871	SEK-QM	SekTor Straight Arm Quick Mount
	24872	SEK-TR	SekTor Trunnion Mount
	24908	SEK-PM	SekTor Adjustable Pole Mount
Accessories			
	24875	DCMS	DC Motion Bi-Level Motion Sensor
	24876	DCMS-REM	DC Motion Bi-Level Motion Sensor Remote
	24878	SAL-BLS-SM	SekTor Backlight Shield (100W-150W)
	24879	SAL-BLS-L	SekTor Backlight Shield (200W-300W)
	24880	SAL-SS-SM	SekTor Side Shield (100W-150W)
	24881	SAL-SS-L	SekTor Side Shield (200W-300W)

ProLED Sector Area Light Series

Performance Table

Nominal Wattage	Distribution	4000K			5000K		
		Lumen Output (lm)	Efficacy (lm/W)	Bug Rating	Lumen Output (lm)	Efficacy (lm/W)	Bug Rating
100	Type II	14644	146	B2 U0 G2	14725	148	B2 U0 G2
	Type III	14662	146	B2 U0 G3	14740	147	B2 U0 G3
	Type IV	14837	147	B2 U0 G2	14851	148	B2 U0 G2
	Type V	14556	146	B4 U0 G4	14788	148	B4 U0 G4
150	Type II	21641	145	B3 U0 G3	21793	147	B3 U0 G3
	Type III	21797	145	B3 U0 G3	21900	146	B3 U0 G3
	Type IV	21834	145	B3 U0 G3	21935	147	B3 U0 G3
	Type V	21900	146	B4 U0 G5	21898	146	B4 U0 G5
200	Type II	29243	146	B3 U0 G3	29237	147	B3 U0 G3
	Type III	29786	149	B3 U0 G4	29886	150	B3 U0 G4
	Type IV	29112	145	B3 U0 G3	29231	146	B3 U0 G4
	Type V	29164	146	B5 U0 G5	29319	146	B5 U0 G5
240	Type II	34601	145	B3 U0 G3	34828	146	B3 U0 G3
	Type III	34807	146	B3 U0 G4	34936	146	B3 U0 G4
	Type IV	34766	146	B3 U0 G4	34829	147	B3 U0 G4
	Type V	34845	146	B5 U0 G5	35076	147	B5 U0 G5
300	Type II	43788	146	B4 U0 G4	43884	147	B4 U0 G4
	Type III	43734	146	B3 U0 G5	43849	146	B3 U0 G5
	Type IV	43760	146	B4 U0 G5	43766	147	B4 U0 G5
	Type V	43774	146	B5 U0 G5	43860	147	B5 U0 G5

Specifications Table

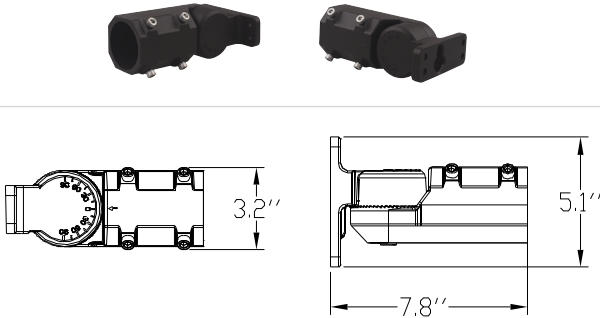
	SAL-100	SAL-150	SAL-200	SAL-240	SAL-300
Nominal Wattage	100	150	200	240	300
Nominal Lumens	14,556 - 14,851	21,641 - 21,935	29,112 - 29,886	34,601 - 35,076	43,734 - 43,884
CCT	4000K & 5000K	4000K & 5000K	4000K & 5000K	4000K & 5000K	4000K & 5000K
Efficacy (lm/W)	145 LPW				
Amperage	120VAC(.83A) 277VAC(.36A)	120VAC(1.25A) 277VAC(.54A)	120VAC(1.67A) 277VAC(.72A)	120VAC(2.0A) 277VAC(.87A)	120VAC(2.5A) 277VAC(1.08A)
Distribution	Type II, III, IV & V				
CRI	>70 CRI				
L70 Lifetime (hrs)	>100,000 Hrs				
Voltage	Universal 120-277VAC & High Voltage 347-480VAC				
Power Factor	>.90				
Dimming	0-10VDC Dimming				
Housing	Die-Cast Aluminum Housing				
Lens	PC TIR (Total Internal Reflection) Optics				
Operating Temperature	-40°C to 45°C				
Listings	cULus, DLC Premium, FCC				
Environment	IP65 Rated, 3G Rated				
Weight (lbs)	14.74 lbs	14.92 lbs	20.9 lbs	21.12 lbs	23.1 lbs
Warranty	5 Years Standard				

LED Luminaires

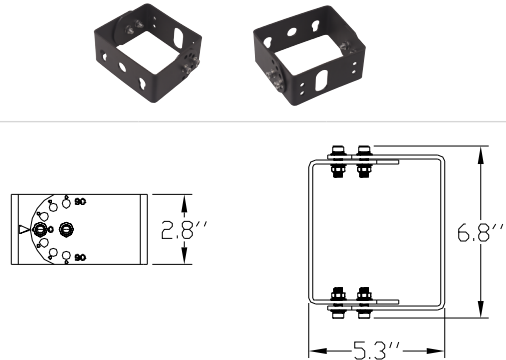
ProLED SekTor Area Light Series

Mounting Bracket Options

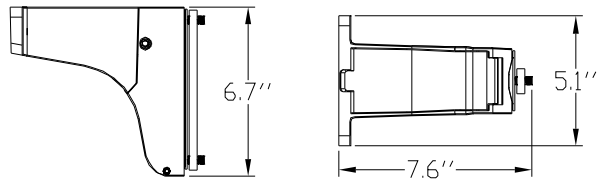
Slip Fitter Mount <i>Fits 2 3/8" Tennon</i>		
Product SKU	Product Code	Description
24870	SEK-SF	SekTor Slipfit Knuckle Mount



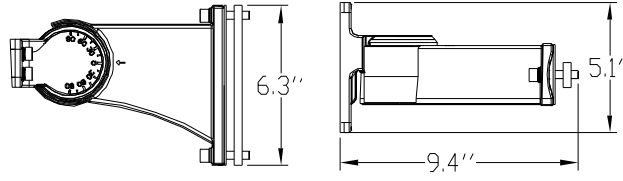
Trunnion Mount		
Product SKU	Product Code	Description
24872	SEK-TR	SekTor Trunnion Mount



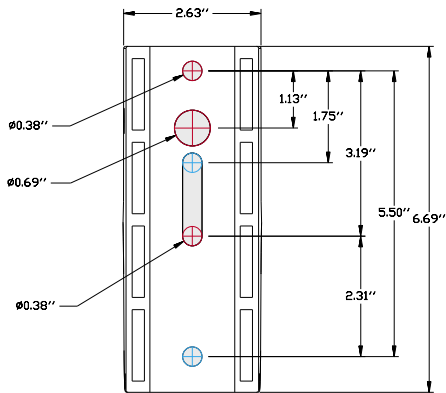
Quick Mount Arm <i>Fits Square and Round Poles</i>		
Product SKU	Product Code	Description
24871	SEK-QM	SekTor Straight Arm Quick Mount



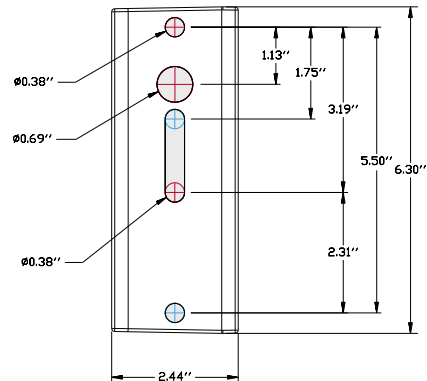
Adjustable Pole Mount <i>Fits Square and Round Poles</i>		
Product SKU	Product Code	Description
24908	SEK-PM	SekTor Adjustable Pole Mount



SEK-QM Drill Patterns



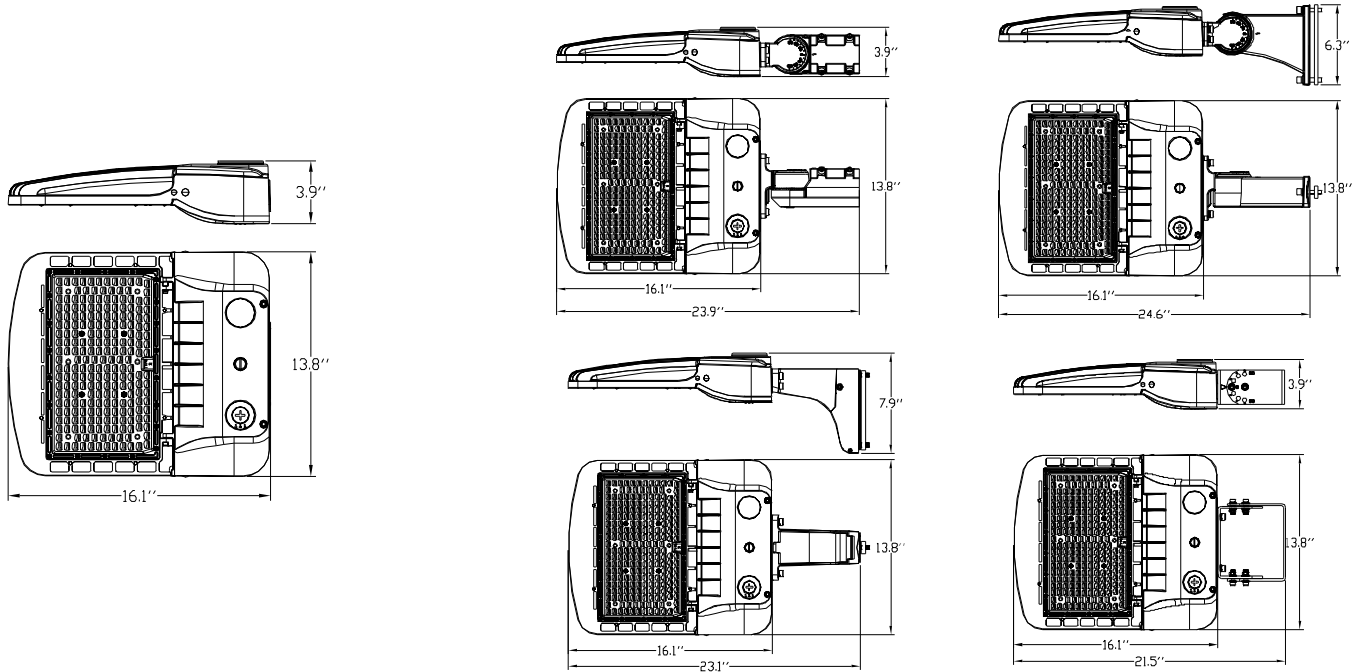
SEK-PM Drill Patterns



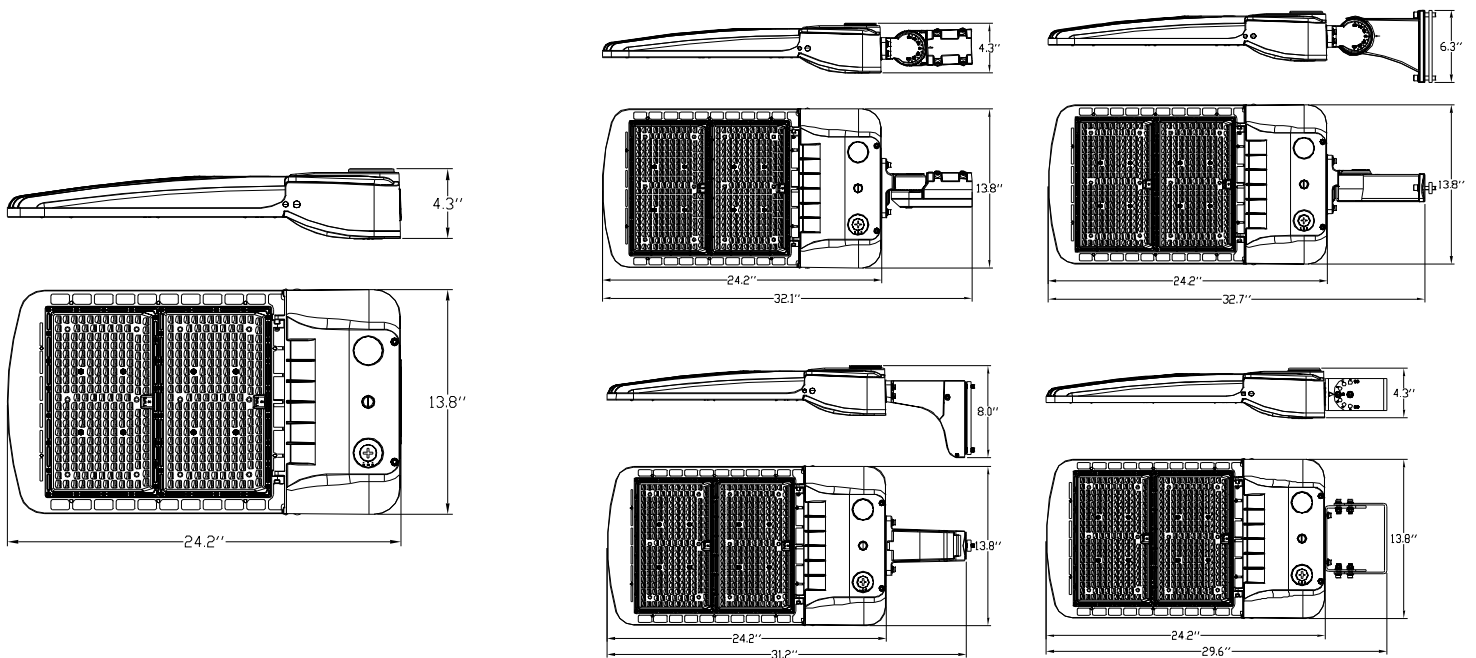
ProLED Sektor Area Light Series

Housing Dimensions with Mounting Arms

100W & 150W Housing




200W, 240W & 300W Housing





LED Luminaires

ProLED SekTor Area Light Series

Accessories

DC Occupancy Sensor		
Product SKU	Product Code	Description
24875	DCMS	DC Bi-Level Motion Sensor
		

DC Occupancy Sensor Remote Control		
Product SKU	Product Code	Description
24876	DCMS-REM	DC Bi-Level Motion Sensor
		

Backlight Shield		
Product SKU	Product Code	Description
24878	SAL-BLS-SM	SekTor Backlight Shield (100W-150W)
24879	SAL-BLS-L	SekTor Backlight Shield (200W-300W)
		

Side Shield		
Product SKU	Product Code	Description
24880	SAL-SS-SM	SekTor Side Shield (100W-150W)
24881	SAL-SS-L	SekTor Side Shield (200W-300W)
		

EPA

100W & 150W Housing



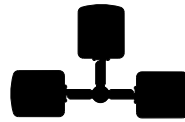
S Single
EPA: 0.52
Weight: 10.8 lbs.



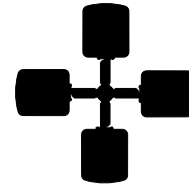
D90 Double 90°
EPA: 0.81
Weight: 21.6 lbs.



D180 Double 180°
EPA: 1.04



T90 Triple 90°
EPA: 1.23
Weight: 32.4 lbs.



Q90 Quad 90°
EPA: 1.23
Weight: 43.2 lbs.

200W, 240W & 300W Housing



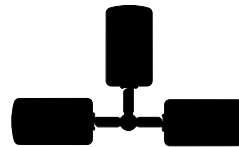
S Single
EPA: 0.72
Weight: 20.2 lbs.



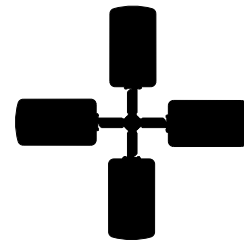
D90 Double 90°
EPA: 1.07
Weight: 40.4 lbs.



D180 Double 180°
EPA: 1.44
Weight: 40.4 lbs.



T90 Triple 90°
EPA: 1.69
Weight: 60.6 lbs.



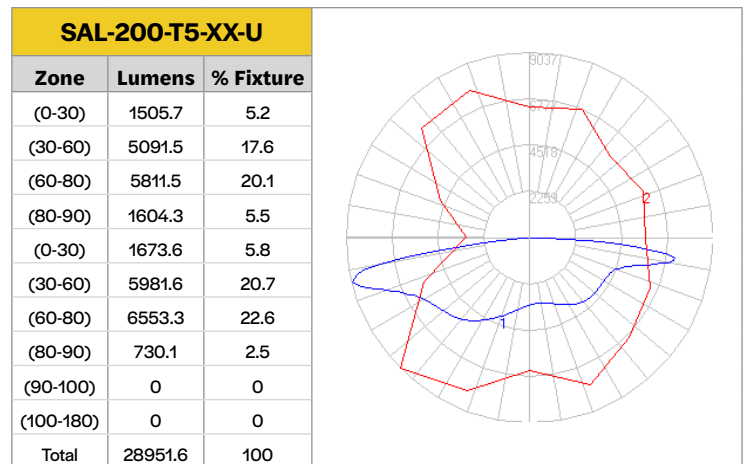
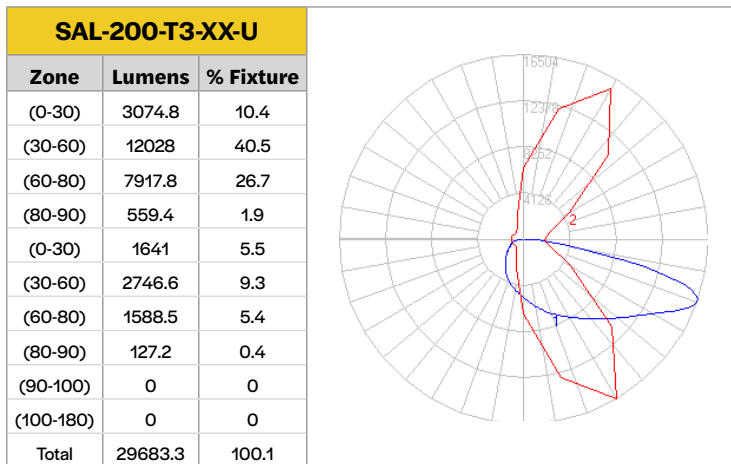
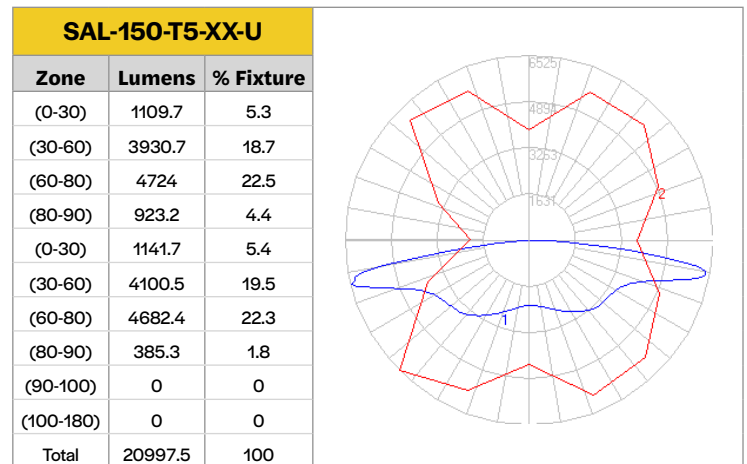
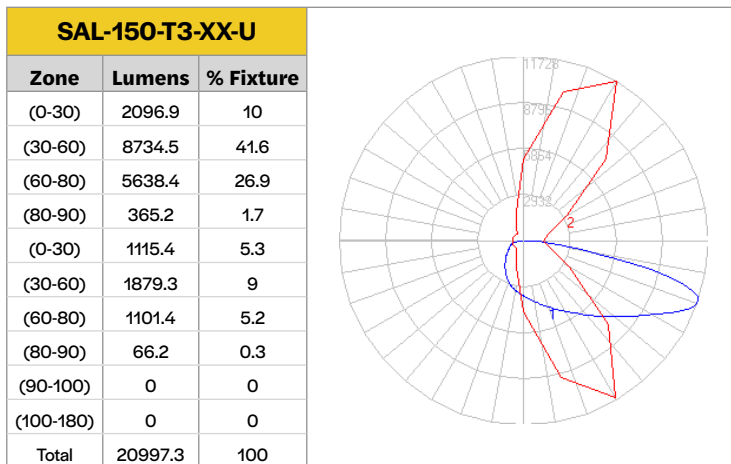
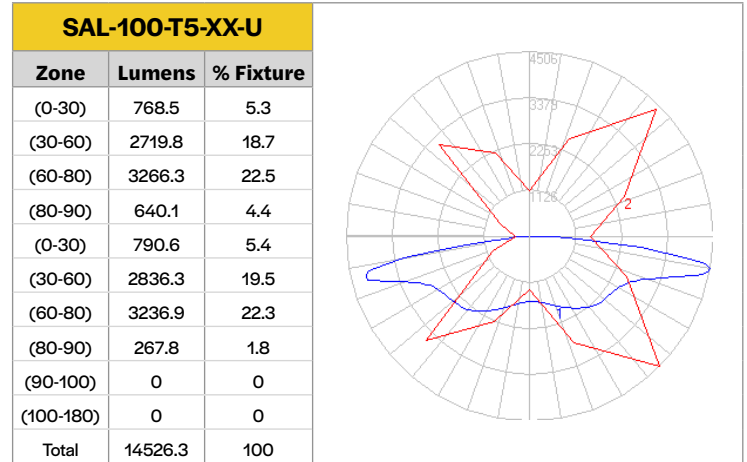
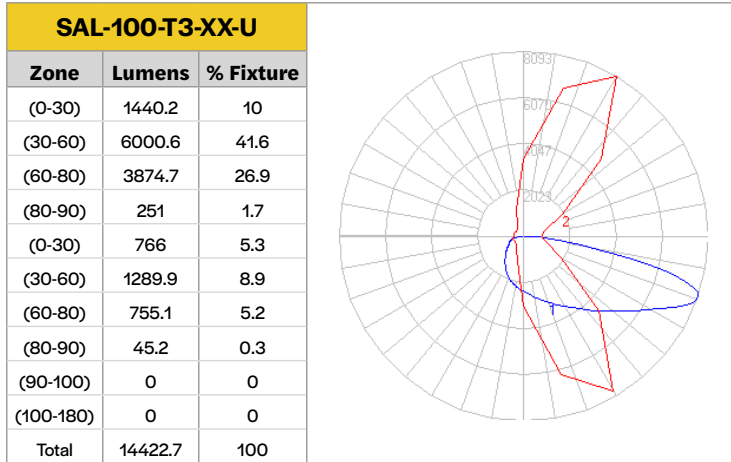
Q90 Quad 90°
EPA: 1.69
Weight: 80.8 lbs.

LED Luminaires

ProLED Sector Area Light Series

Photometry

*The below diagrams and zonal lumen summaries represent the stock Type 3 and Type 5 fixtures. For complete photometry/IES files, please visit the resources tab on the product page.



LED Luminaires

ProLED Sector Area Light Series

Photometry

*The below diagrams and zonal lumen summaries represent the stock Type 3 and Type 5 fixtures. For complete photometry/IES files, please visit the resources tab on the product page.

