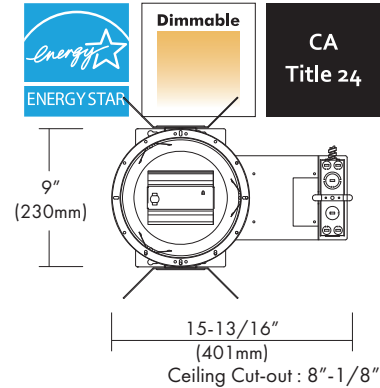
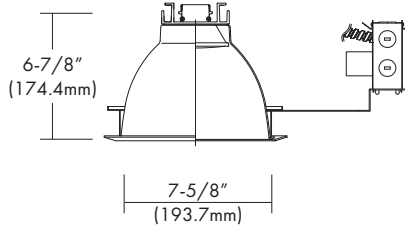


LEDH-AFK8 For High Wattage (50W,60W,70W,90W)

120V or 277V LED 8", Non-IC Architectural Frame-in Kit
Down Light with interchangeable Reflector Trims

Catalog #		Type
Project		Date
Prepared by		

8" LED Architectural Frame-in Kit



DESCRIPTION

The LEDH-AFK8 is a 8" LED, Non-IC, Frame-in kit and is available with multiple Trim styles. Designed for use in non-insulated ceilings, Insulation material must be kept a minimum of 3" from fixture. Available with a 50W, 60W, 70W or 90W, high efficacy LED engine and Tri-Mode Dimmable drivers. The special optical diffuser produces high lumen transmission and even illumination. Suitable for Wet Locations.

DESIGN FEATURES

Mounting Ring

- 20-gauge CRS mounting ring, painted black. The 1-5/8" deep collar may be used with various ceiling material thicknesses.

LED Module & Trim

- Painted, extruded aluminum heat sink designed to facilitate efficient heat dissipation for superior thermal management and reliability.
- LED engine includes LED, heat sink and lens assembly.
- Heavy gauge aluminum reflector anodized in clear haze or white paint finishes. Multiple trim styles and finishes are available.

LED Driver

- Tri-Mode Dimming: 0-10V, Triac & ELV
- Drivers feature power factor >.90, THD <20% with integral thermal protection to sense over temperature or electrical issues.
- Driver mounts externally to the module to allow future replacement or upgrading if desired.

Mounting Channel Bracket

- Commercial mounting kit provides up to 5" vertical adjustment and accommodates 1/2" EMT conduit. Provided with HBC-24 bar hanger or lathing channels for T-bar grid or concealed spline ceiling are also available.

Junction Box

- Listed for through branch circuit wiring. (Max.8 No 12 AWG 90°C branch circuit conductors: 4 in, 4 out)
- (5) 1/2" knockouts with pry-out slots and (4) knockouts with Romex cable clamps.
- Ground wire provided on J-box.

Options

- Emergency battery back-up : Available in mounted to fixture or remote adjacent to luminaire (consult with factory for space requirements).

Limited Warranty

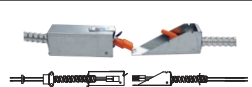
- LED Module: 5 years/50K hours
- Product/Driver: 3 years

Listing

- cETLus Wet Location
- ENERGY STAR
- California Title 24

SPECIFICATION				
Input Voltage	120 or 277VAC			
Wattage (+/-5%)	50W	60W	70W	90W
Lumen (+/-5%)	5,000	6,000	7,000	8,000
Efficacy (LPW)	100	100	100	88.9
Beam Angle	24°	24°	24°	24°
CRI (Typical)	80, 90			
CCT (Color +/-5%)	2700K, 3000K, 3500K, 4000K			
Dimming	0-10V, ELV & Triac			
LED Module	5 yr/50K hr			
Environment	Indoor Damp Location			

Triac Approved Dimmers
* Lutron: NovaT (Ntely 300 & 600) Diva (Dvelv-300P&303P)
* Leviton: Acenti: Ate06-1Lw
* Leviton Trimatron #705W (incandescent)
0-10V Approved Dimmers
* Lutron: Nova® 0-10V : NTFTV Diva® 0-10V : DVTV
* Leviton: Decora 0-10V : IP710DL
Consult tech. service or factory for additional dimmers

* Provided: Easy-quick connector case (patent pending)


8" LED Architectural Frame-in Kit

HOUSING COMPATIBILITY for the LED-ARFK8 RETROKIT ONLY

LED-ARFK8 ETL Listed for installation in the following Lumtech standard architectural housings;

- **8"** : FH-VC8, FH-VA8, FH-VAR8, FH-HA8, FH-HAR8, FH-HC8, IH-VF8300, IH-VA8300, IH-VAR8300, IH-HF8300, IH-HA8300, IH-HAR8300, MH-VF8, MH-VA8, MH-VAR8, MH-(HF8, HA8, HAR8)

LED-ARFK8 ETL Listed for retrokit in the following 8" architectural housing;

- **Halo** : PD7V142E, PD7V120, PD7V501E, PD7V701E, PD7V1001E, PD7V70X1E, PD7V100X1E
- **Juno** : CV8-126/32/42T, TC908, MX8-(70,100), M8-(70,100)
- **Lithonia** : LP8F, CCR82, LP8H, LP8

TRIM

* Wide beam reflector is standard. Also available narrow beam in reflector(consult with factory).

* All trims are rated for damp location.



LEDT-RL8
Specular Open Reflector

Ordering Information

Model	-Watts	-CRI	Color Temp.**	Driver*	Trim	-Reflector Finish**	-Beam Angle	Optional Metal Trim Ring Finish
LEDH-AFK8 = 8", Non-IC, Architectural Frame-in Down Light Kit	-50 = 50W	-8 = 80	27 = 2700K	ZTD1 = 120V	LEDT-RL84	-HC = Haze Clear -WH = White Painted	-NS = Narrow Spot 15° -N = Narrow 25° -M = Medium 40° -W = Wide 60°	-WH = White Plastic Trim Ring (Standard) -WMR = White Metal Ring -SN = Satin Nickel -CH = Chrome -SF = Polished Self-Flange
	-60 = 60W	-9 = 90	30 = 3000K	ZTD2 = 277V				
	-70 = 70W		35 = 3500K	(Dedicated Input Voltage for Thermal Protector on Junction Box.)				
	-90 = 90W		40 = 4000K	(Tri-Mode Dimming: 0-10V, Triac & ELV) *- Option -EM = Emergency battery backup				

Example : LEDH-AFK8-50-830ZTD1

LEDT-RL84-HC-N-WH

** Consult factory for other Color Temperatures and Finishes