



## LED Pendant Chandelier Light Swirl Shape



**Application:** Perfect dining room, kitchen island, stairwell and more residential or commercial pendant lighting

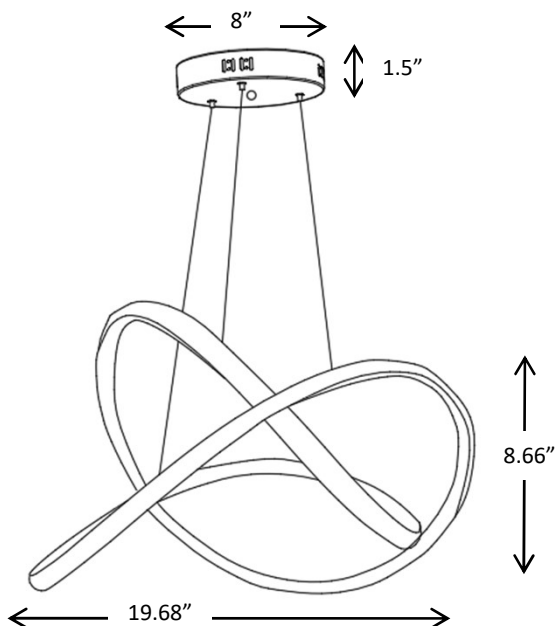
### Certification



### Feature

- Frosted extruded diffuser creates even illumination
- CCT Selectable to meet different environmental needs
- 10%-100% Traic Dimmable
- Aluminum body with flexible composite diffuser
- 5 year limited warranty
- Damp Location Listed

### Dimension



### Specifications

Model	HY-PD2219-30W-3CCT-CR
Wattage	30W
Dimming	Traic Dimming
Lumen Output	2600 LM
Input Voltage	120Vac 60Hz
CCT	3000K-4000K-5000K Selectable
CRI	Ra>80
Working Temperature	~32°F ~+113°F / ~0°C ~+45°C
Environment Location	DAMP LOCATIONS
Finish	Chrome
Life Span	Lumen Maintenance over 70% @ 50,000+ Hours
Pendant Cable Length	Max at 5FT
PCS/BOX	1
Master Box Dimension	515x515x225MM / 20.27"x20.27"x8.85"
Master Box Weight	4.78LB