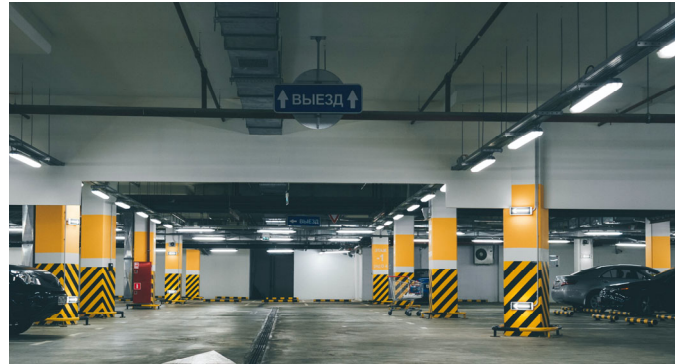




## LED Vapor Tight - Watt and CCT Selectable



**Application:** Parking garages, shopping centers, car washes, and many other commercial or industrial applications

### FEATURE

- Wet location rated with IP66 ingress protection rating. Suitable for damp location
- Watt and CCT adjustable to fit for different locations
- Long life hours with a durable housing
- 1-10V dimmable: Light can be dimmed to ideal brightness levels to save energy and get the light levels correct for your area.
- With option of build-in motion sensor or emergency backup driver

### ACCESSORIES



- Plastic Anchors
- Screw for anchor
- Strain Relief Connectors
- Mounting brackets (2 for 2FT/4FT and 3 for 8FT)

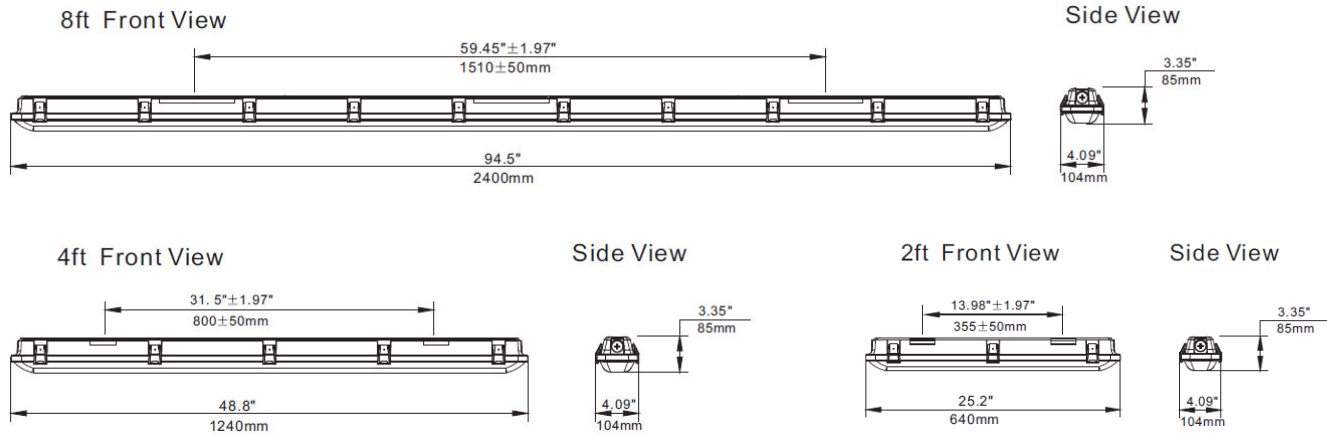
### ORDERING GUIDE

Model	HY-2FT-VT-H-3W3CCT (XX)	HY-4FT-VT-H-3W3CCT (XX)	HY-8FT-VT-H-3W3CCT (XX)
Power	20W	20/30/40W Selectable	40/60/80W Selectable
Size	2FT	4FT	8FT
Lumens	2600LM	5200 lm @ 40W	10400 lm @ 80W
Cover	Clear Ribbed		
Input Voltage	120-277 VAC		
Dimming	Triac Dimming (10%-100%)		
Protecting Rating	IP66		
Power Factor	0.9+		
Beam Angle	120°		
CCT	3000K/4000K/5000K Selectable		
CRI	80+		
Surge protection DM/CM	1.25 kV / 1.25 kV		
Working Life	Lumen Maintenance over 70% @50,000+ hours		
Oper. Temperature	- 13°F ~+113°F / -25°C ~+45°C		
Housing	Polycarbonate housing (PC) + Stainless Steel Clips		
Option (XX)	XX can be: MS: Microwave Motion Sensor EM: Emergency Backup Driver		



## LED Vapor Tight - Watt and CCT Selectable

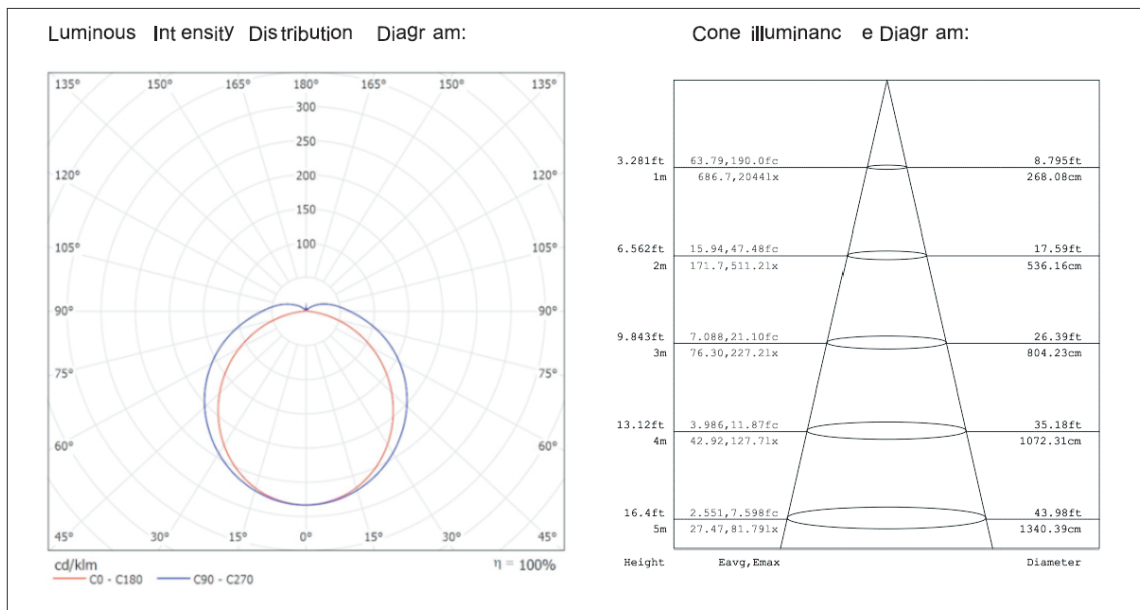
### DIMENSION



### PACKAGE INFO

Model. No.	HY-2FT-VT-H-3W3CCT (XX)	HY-4FT-VT-H-3W3CCT (XX)	HY-8FT-VT-H-3W3CCT (XX)
Size	2FT	4FT	8FT
QTY/PACK	6PCS/PACK		4PCS/Pack
Package Size	690X245X280mm 27.2"X9.65"X11.02"	1290X245X280mm 50.8"X9.65"X11.02"	2450X245X200mm 96.5"X9.65"X7.87"
Package Weight	9 kg/19.84 lbs	15.1 kg/33.29 lbs	24 kg/52.91 lbs
Package CBM	0.047334	0.088494	0.12005
40GP Capacity	~7350PCS	~3930PCS	~1930PCS
40HQ Capacity	~8610PCS	~4610PCS	~2260PCS
45HQ Capacity	~9880PCS	~5280PCS	~2590PCS

### PHOTOMETRIC REPORT



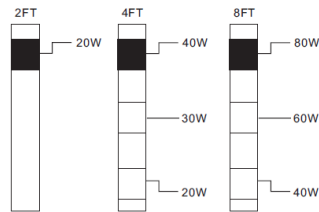


## LED Vapor Tight - Watt and CCT Selectable

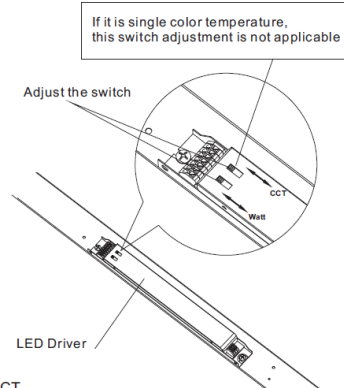
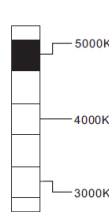
### Watt and CCT Selectable

#### Surface Mount Installation

##### Watt



##### CCT



Adjusting the switch, and making the switch fix on the needed Watt and CCT.

Note:

Due to different LED driver models,

The specific functions of the switch are subject to the actual switch label of the LED driver supply

#### Installation

<p><b>1</b> Take down the quick end cap anticlockwise.</p>	<p><b>2</b> Fasten the waterproof connector clockwise.</p>
<p>Cable Model: C(UL) SJT 5/C 18AWG(0.824mm<sup>2</sup>) 105°C 300V FT1</p> <p><b>3</b> Insert the cable through waterproof connector and wire it into terminal block. Make sure L, N, grounding and dimming wire are wired to correct holes.</p>	<p><b>4</b> Connect the male plug extended from back of reflector to the female plug from the driver.</p>
<p><b>5</b> Close the lamp diffuser, which was integrated with reflector, and lamp base, then fasten the clips which were offered in accessories bag.</p>	<p>• Connection mode</p> <p>Dimming function</p>

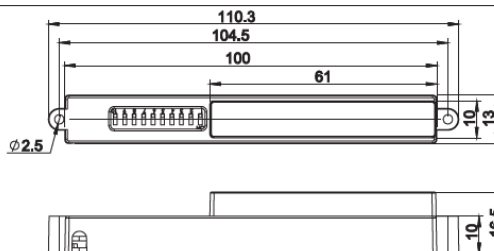
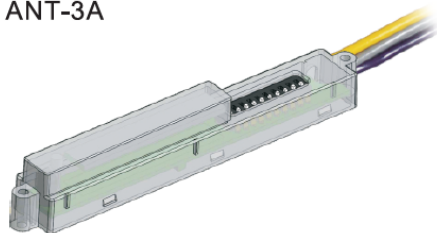


## LED Vapor Tight - Watt and CCT Selectable

### Build-In Motion Sensor Information

#### BUILT-IN MOTION SENSOR INFORMATION

##### ANT-3A



#### ⚠ WARNING

NOTE: Warm up time is 15seconds. After the sensor connects input power first time, the light will keep on 15 seconds, then go to dimming to work normally.

NOTE: Factory Default Setting: 100% sensitivity, Hold on time: 10seconds, Daylight sensor is 30lux, Dimming level:30%, Dimming time: 60minutes.

NOTE: Any setting changed by DIP Switch or remote control, the led light that sensor connect will on/off as confirm.

#### SPECIFICATIONS

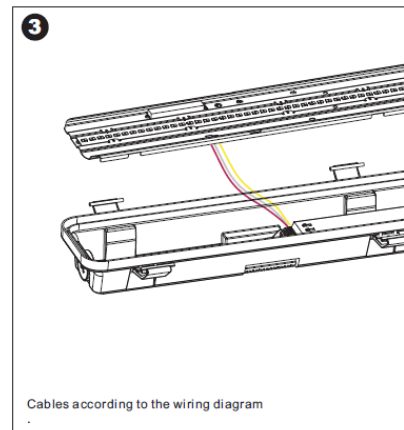
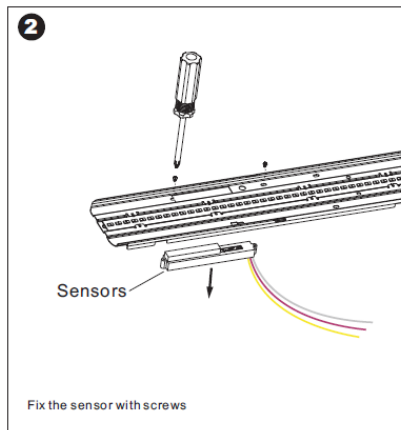
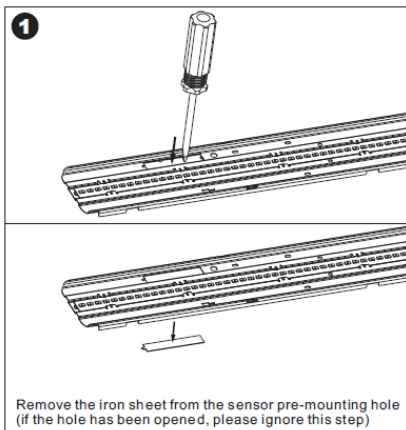
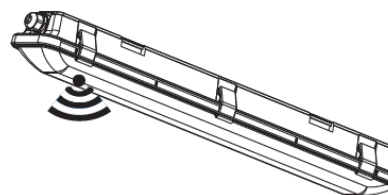
Power supply	12V-24V DC, >50mA
HF System	5.8GHz±75MHz
Dim control output	0-10V, max. 25mA sinking current
Detection radius/angle	Max 17ft.(5.2m)/360°
Mounting height	Max 13ft(4m)
Remote range	50ft. (15m) Indoor, no backlight
Humidity	Max. 95% RH
Temperature	-40°F ~ 158°F (-40°C ~ 70°C)

#### PARAMETER SETTING BY DIP SWITCH

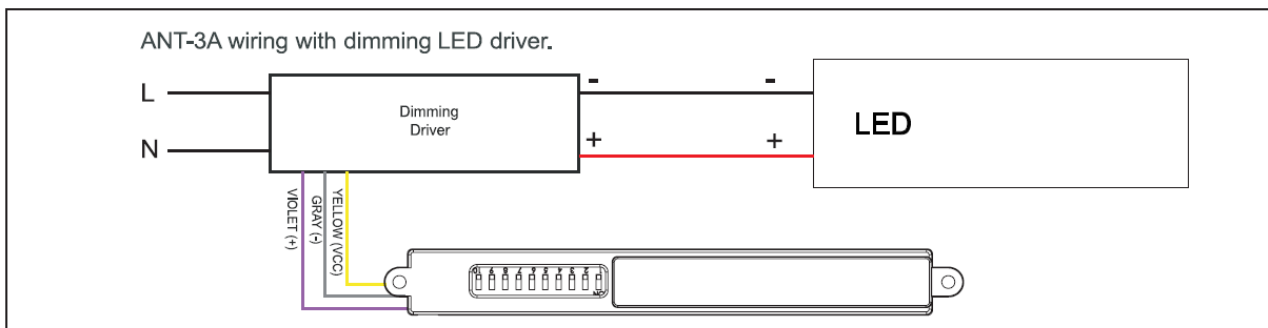
Consider the picture: 1, 2 set sensitivity; 3, 4 set hold time; 5, 6 set the lux; 7, 8 stand-by light level 9, 10 set stand-by time;



For detailed adjustment methods, please refer to the ANT-3A instruction manual



#### WIRING DIAGRAMS





## LED Vapor Tight - Watt and CCT Selectable

### Build-In Emergency Information

#### EMERGENCY LED DRIVER INFORMATION

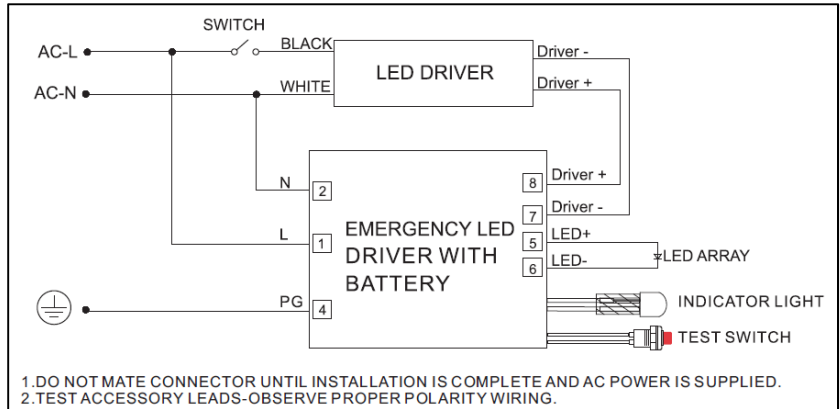
Specifications:



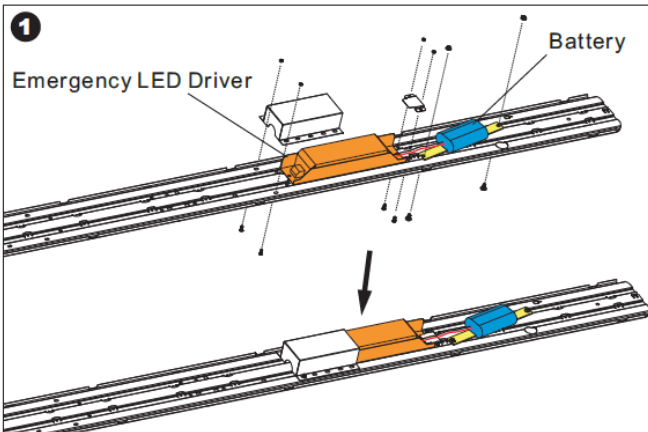
Specifications:

Universal Input Voltage	100-277Vac 50/60Hz
AC Input Current	100mA max.
AC Input Power Rating	7.0W max.
Output Current and Voltage	160-320mA 25-48Vdc
Output Power	8W
Emergency Time	≥1.5H
Full Warranty	5 Years
Test Switch Indicator Light	Illuminated Test Switch, indicator Light
Battery	Li-ion battery-7.4V/2500mAH
Battery Charging Current	250mA
Charging Time	≥24Hours
Temperature Rating (Ambient)	Li-ion 0°C to +40°C (32°F to 104°F)

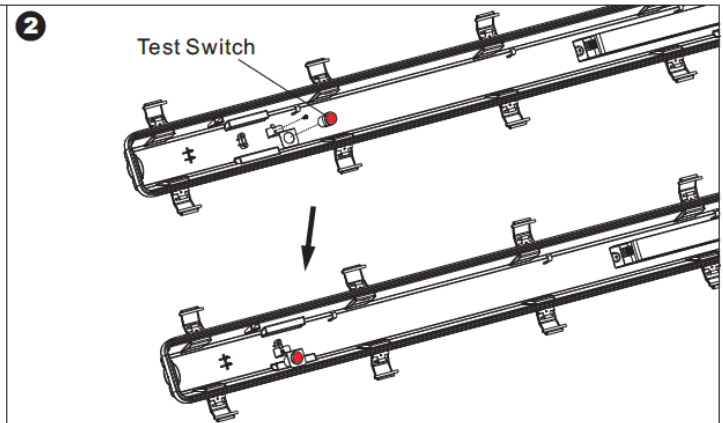
#### WIRING DIAGRAM



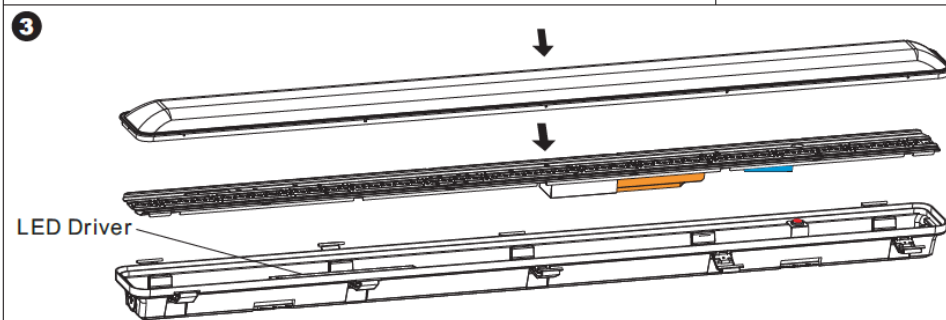
#### INSTALLATION



Emergency led driver and Battery installation position



Test Switch installation position



Assemble according to this drawing and wire according to the wiring diagram to complete the installation