

sunlite® INSTALLATION INSTRUCTIONS

82067-SU | LFX/IDL/4R/9W/D/30K | LED 4" ROUND INDIRECT CEILING FIXTURE
 82068-SU | LFX/IDL/6R/12W/D/30K | LED 6" ROUND INDIRECT CEILING FIXTURE
 82069-SU | LFX/IDL/4S/9W/D/30K | LED 4" SQUARE INDIRECT CEILING FIXTURE
 82070-SU | LFX/IDL/6S/12W/D/30K | LED 6" SQUARE INDIRECT CEILING FIXTURE



DIMMABLE

Please read and understand this entire manual before attempting to assemble, operate or install the product.

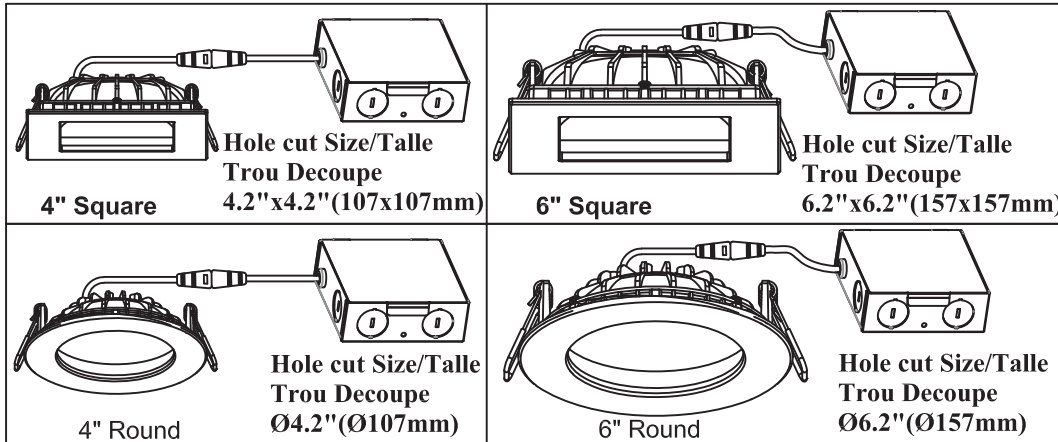
WARNING: Avoid fire or electric shock. Follow installation instructions carefully. If unsure about electrical installation, consult a qualified electrician. Wear rubber-soled shoes and work on a sturdy wooden ladder. Ground fixture to avoid potential electric shock. Handle metal parts carefully to prevent cuts. To avoid a hazard to children, account for all parts and destroy all packing material. This product is only suitable for indoor wall-mounted applications. Suitable for damp locations.



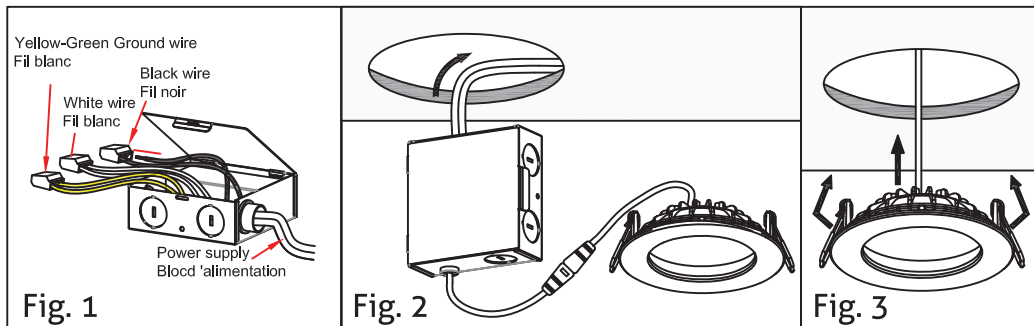
CAUTION: Turn off the power at fuse or circuit breaker box before installation and maintenance. NOTE: This fixture is suitable for 120-Volt fused circuits. Fixture must be installed according to National Electric Code and local building codes. If you are unsure about wiring, consult a qualified electrician. THIS FIXTURE BODY IS ONE PIECE, DO NOT DISASSEMBLE OR MAKE ALTERATIONS.

This device complies with part 15 of the FCC Rules. Operation is subject to the following two conditions: (1) this device may not cause harmful interference, and (2) this device must accept any interference received, including that may cause undesired operation.

This fixture may not be compatible with all dimmers. Please visit www.Sunlite.com/Dimmers for dimmer compatibility information.



Installation



BEFORE PROCEEDING, PLEASE ENSURE POWER HAS BEEN SWITCHED OFF!

STEP 1. Cut a hole in the ceiling for the downlight as planned according to the design and local regulations.

STEP 2. Run the electrical wire from the switch through the mounting hole.

STEP 3. Open the junction box and remove the appropriate knockouts.

STEP 4. Insert the power supply wire through the knockout and fasten with a wire cap.

STEP 5. Connect the ground wire to the yellow-green wire in junction box. Connect the power leads in ceiling to the corresponding black and white wires in the junction box and secure with wire caps. *Fig. 1*

STEP 6. Put all wires and connections back into the box and secure the cover.

STEP 7. Insert the junction box through the mounting hole in the ceiling and secure to a ceiling joist. *Fig. 2*

STEP 8. Bend back the two torsion springs and insert the fixture into the hole in the ceiling until fixture is held securely. *Fig. 3*

Sunshine Lighting Company

744 Clinton Street Brooklyn, NY 11231, USA

T. 718.768.7000

F. 718.768.0970

www.sunlite.com