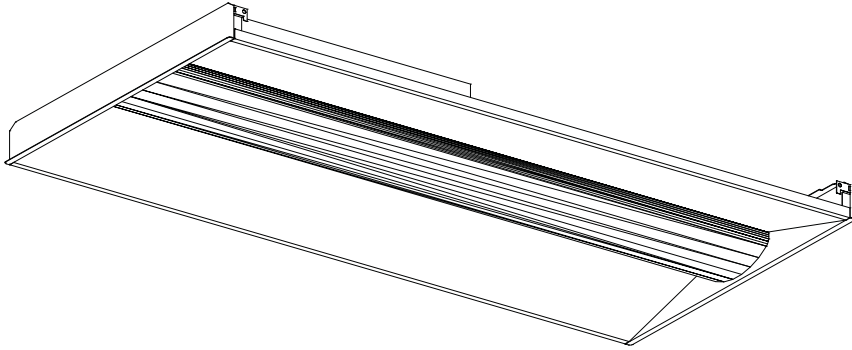


# sunlite®

## INSTALLATION INSTRUCTIONS

85142-SU | LFX/2x4/36W/DLC-P/DIM/MV/35K | 2'x4' LED LAY-IN LIGHT FIXTURE

85143-SU | LFX/2x4/36W/DLC-P/DIM/MV/40K | 2'x4' LED LAY-IN LIGHT FIXTURE

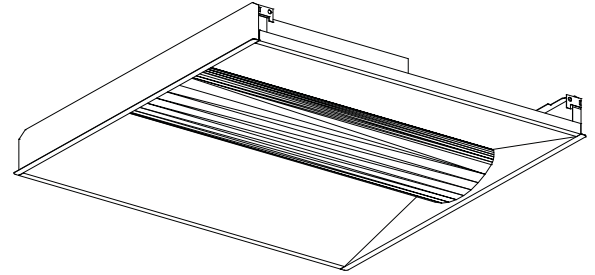


**Please read and understand this entire manual before attempting to assemble, operate or install the product.**

**WARNING:** Avoid fire or electric shock. Follow installation instructions carefully. If unsure about electrical installation, consult a qualified electrician. Wear rubber-soled shoes and work on a sturdy wooden ladder. Ground fixture to avoid potential electric shock. Handle metal parts carefully to prevent cuts. To avoid a hazard to children, account for all parts and destroy all packing materials. This product is only suitable for indoor applications.

**CAUTION:** Turn off the power at fuse or circuit breaker box before installation and maintenance. **NOTE:** This fixture should be used on a 120-Volt fused circuit (check fixture labeling). Fixture must be installed according to National Electric Code and local building codes. If you are unsure about wiring, consult a qualified electrician. **THIS FIXTURE BODY IS ONE PIECE, DO NOT DISASSEMBLE OR MAKE ALTERATIONS.**

This device complies with part 15 of the FCC Rules. Operation is subject to the following two conditions: (1) this device may not cause harmful interference, and (2) this device must accept any interference received, including that may cause undesired operation.



## Installation

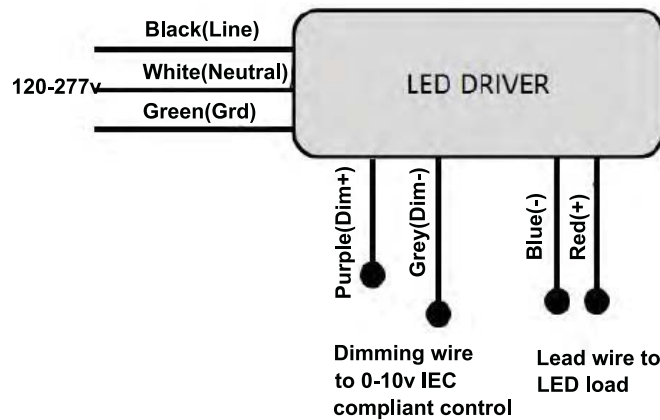


Figure 1

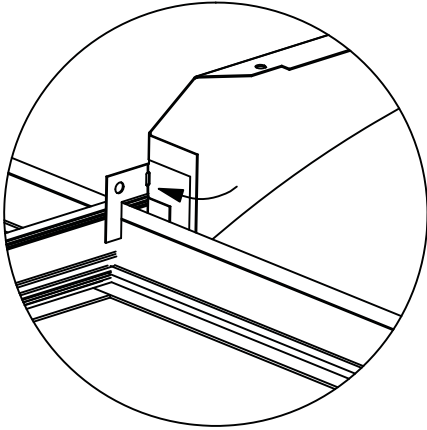


Figure 2

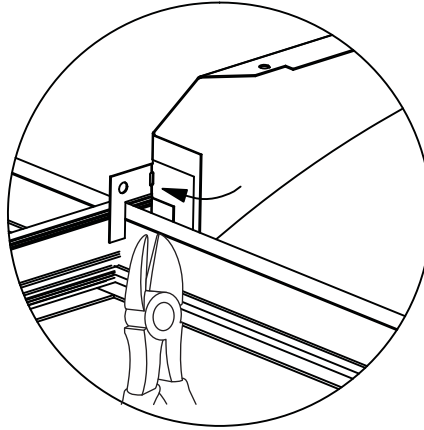


Figure 3

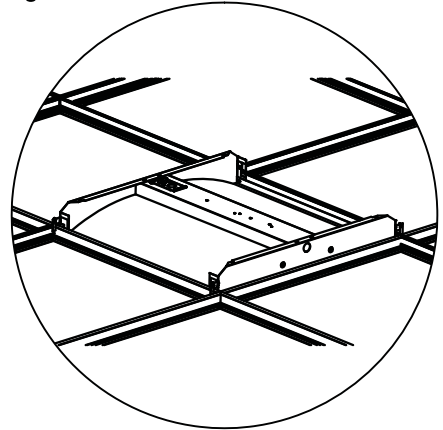


Figure 4

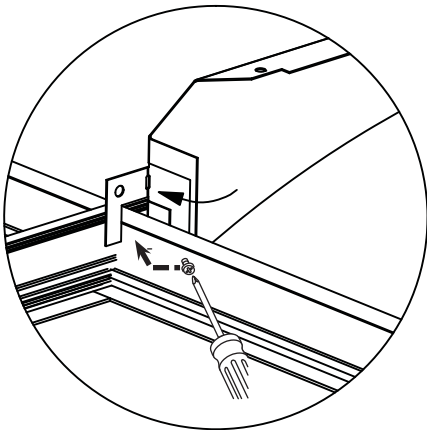


Figure 5

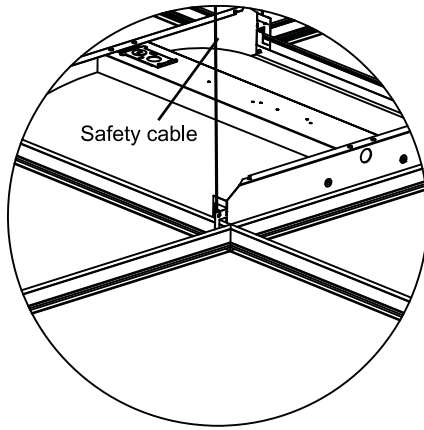
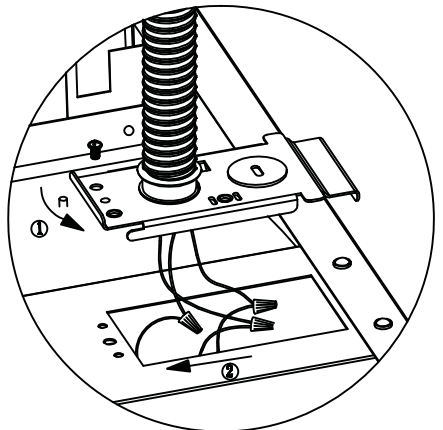


Figure 6



## Installation Steps:

Figure 1: Bend out mounting tab 90 degrees on each corner.

Figure 2: Use side cutters to adjust each tab to height of T-grid.

Figure 3: Lay fixture into T-grid.

Figure 4: Bend tabs flush against T-grid in order to clear corner for ceiling tile.

Figure 5: Use a #8×1/4" sheet metal screw to fasten fixture to T-grid and use a hanger wire to tie off appropriately in accordance with local building codes (screws and hanger wires not included).

Figure 6: Ensure that the wiring of the last fixture in the row is properly terminated. Then make all electrical connections to the fixture. Attach the wiring access cover plate.