

sunlite®

INSTALLATION INSTRUCTIONS

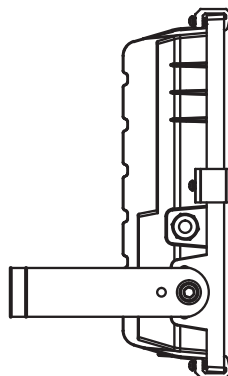
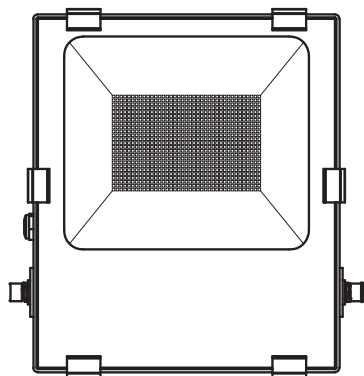
Models: 85301-SU - 85307-SU | LED FLOOD LIGHT FIXTURE

Please read and understand this entire manual before attempting to assemble, operate or install the product.

WARNING: Avoid fire or electric shock. Follow installation instructions carefully. If unsure about electrical installation, consult a qualified electrician. Wear rubber-soled shoes and work on a sturdy wooden ladder. Ground fixture to avoid potential electric shock. Handle metal parts carefully to prevent cuts. To avoid a hazard to children, account for all parts and destroy all packing material. This product is suitable for indoor and outdoor applications. Ambient operating temperature -20°C – 40°C (-4°F – 104°F). Suitable for wet locations.

CAUTION: Turn off the power at fuse or circuit breaker box before installation and maintenance. **NOTE:** This fixture is suitable for 100-277 Volt fused circuits. Fixture must be installed according to National Electric Code and local building codes. If you are unsure about wiring, consult a qualified electrician. Min. 105°C supply conductors. **THIS FIXTURE BODY IS ONE PIECE, DO NOT DISASSEMBLE OR MAKE ALTERATIONS.**

This device complies with part 15 of the FCC Rules. Operation is subject to the following two conditions: (1) this device may not cause harmful interference, and (2) this device must accept any interference received, including that may cause undesired operation.



Installation

<p>1 Drill holes in the mounting surface and install appropriate anchors.</p>	<p>2 Screw in bolts and ensure they are tight.</p>	<p>3 Loosen the screws on both sides of the bracket, and adjust the lamp's angle as needed. Tighten screws when done.</p>	<p>4 Connect the AC line. Black = L White = N Green = G</p>	

Sunshine Lighting Company
 744 Clinton Street Brooklyn, NY 11231, USA
 T. 718.768.7000
 F. 718.768.0970
www.sunlite.com