

sunlite®

INSTALLATION INSTRUCTIONS

49101-SU | LFX/RL/50W/50K/PC | LED ROADWAY LIGHT



Please read and understand this entire manual before attempting to assemble, operate or install the product.

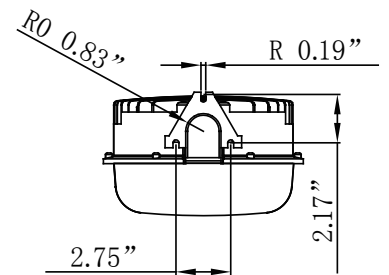
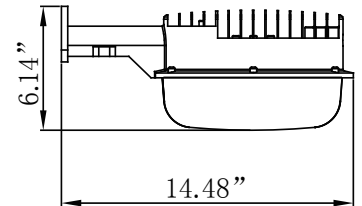
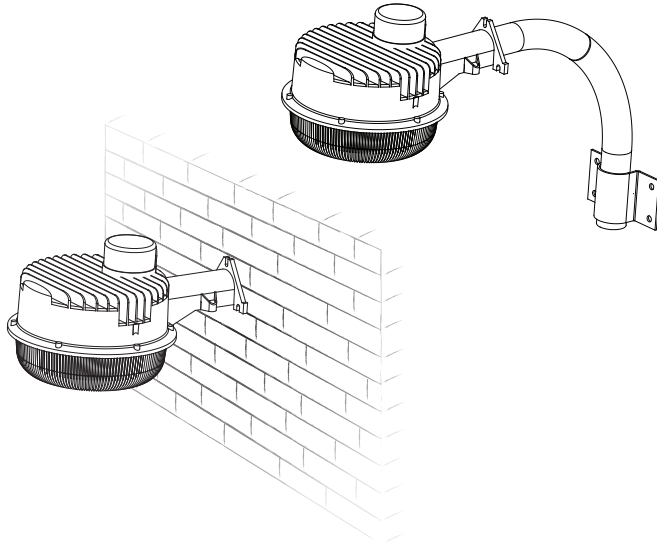
WARNING: Avoid fire or electric shock. Follow installation instructions carefully. Wear rubber-soled shoes and work on a sturdy wooden ladder. Ground fixture to avoid potential electric shock. Handle metal parts carefully to prevent cuts. To avoid a hazard to children, account for all parts and destroy all packing material. Operating temperature -40°C to 40°C (-40°F to 104°F). Suitable for outdoor/wet locations.

CAUTION: Turn off the power at fuse or circuit breaker box before installation and maintenance. NOTE: This fixture is suitable for 120-277-Volt fused circuits. Fixture must be installed according to National Electric Code and local building codes. If you are unsure about wiring, consult a qualified electrician. THIS FIXTURE BODY IS ONE PIECE, DO NOT DISASSEMBLE OR MAKE ALTERATIONS.

This device complies with part 15 of the FCC Rules. Operation is subject to the following two conditions: (1) this device may not cause harmful interference, and (2) this device must accept any interference received, including that may cause undesired operation.

Retain these instructions for future reference.

CAUTION: This product uses an input 120-277V AC driver of wide range voltage, but the actual working voltage depends on the input voltage of the photocell that is installed on the product. Normally the input voltage of the photocell is 120V/208V/240V/277V single range, and also has 120-277V AC wide range. Please pay attention when installation.



Introduction

An internal power-factor-corrected switch-mode supply allows it to be used from any nominal 120V-277V, 60Hz AC supply without any variation in light output.

Suitable for use in the following locations:

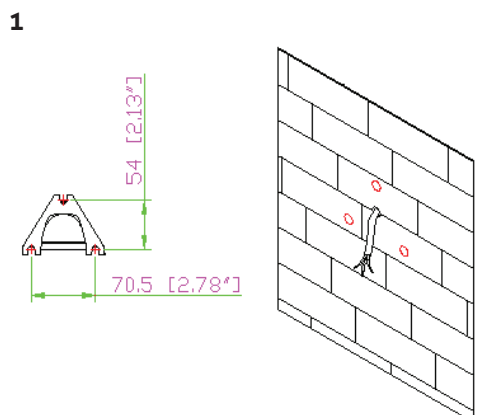
- Ambient Temp: -40~+40°C
- Wet Locations

Installation

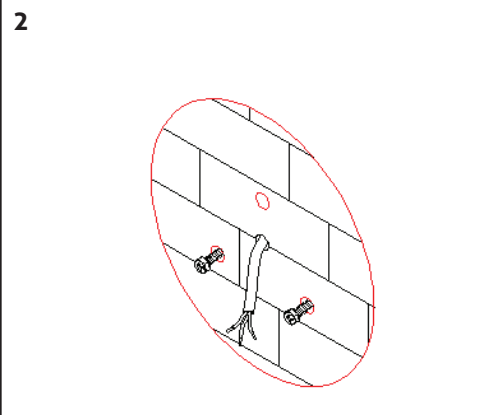
Refer to the following diagram when you install the fixture. Two installation methods, directly fix to the mounting surface or fix to the mounting surface with an arm.

Surface Mounting

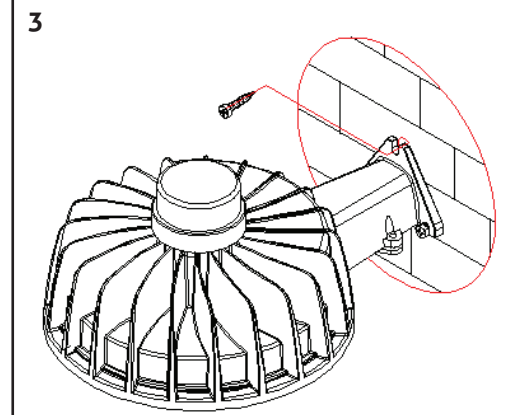
Images are for illustrative purposes only. Actual fixture design is as illustrated above.



First refer to the size of the diagram to drill holes in the wall.

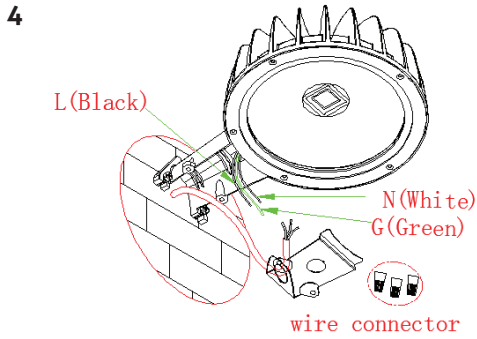


Fix two screws to the hole

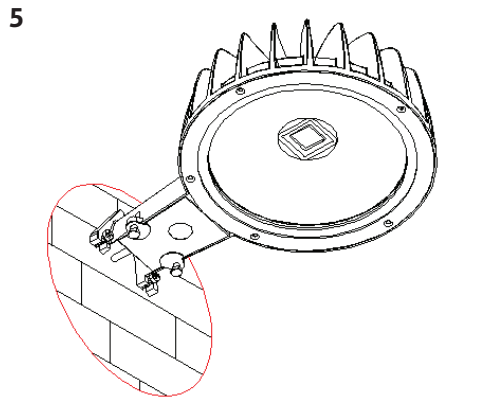


Hook the lamp by two screws. Attach the top screw. Finally tighten all screws.

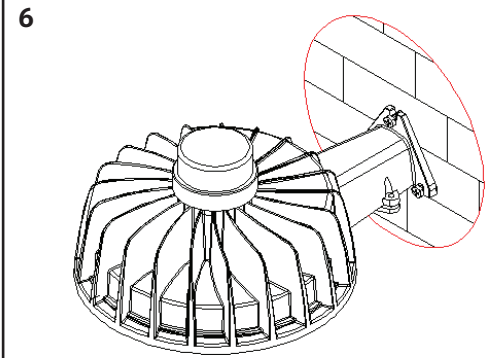
Surface Mounting (Continued)



Pass the wire through the hole of the cover plate. Connect the wire to the same color (correspond to wire N, L and G) together with a wire connector.

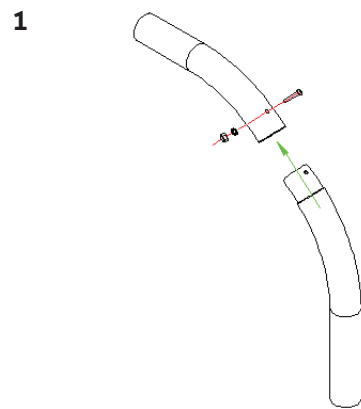


Put the cover plate into the U-slot, tighten the screws.

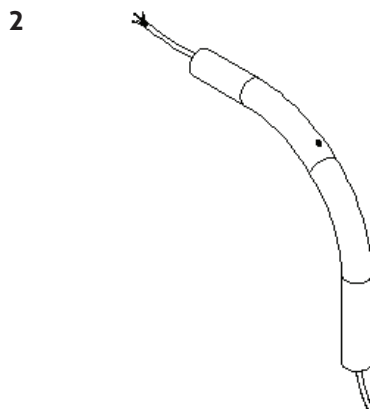


Installation completed.

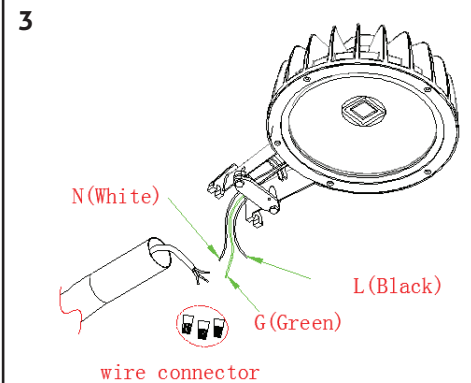
Arm Mounting



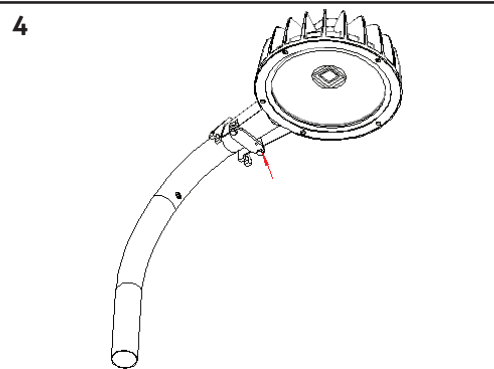
Assemble the two bent tube and tighten them with nut and bolt.



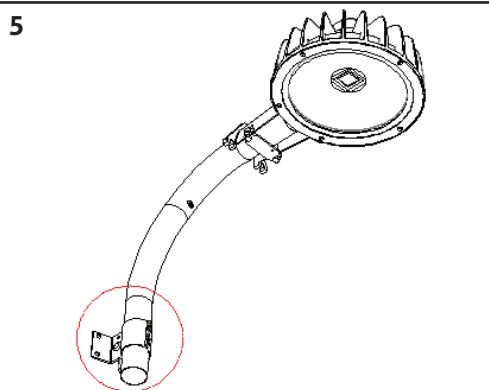
Pass the power source wire through the tube.



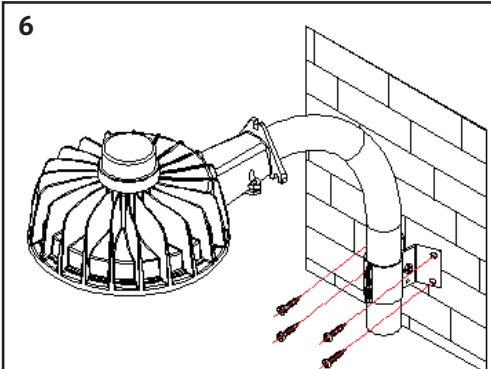
Connect the wires to the same color (correspond to wire N, L and G) together with a wire connector.



Put one end of the tube into the U-slot, and then tighten the tube with two hex socket screws. Please make sure that the tube will not rotate.



Fix clamp on the pipe in a right position and make sure that the pipe will not rotate.



Install the light fixture on the wall with four screws through the clamp.