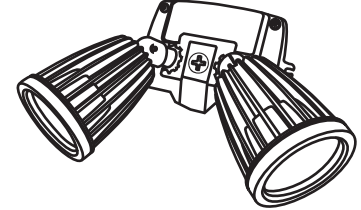
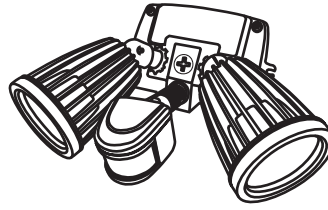


INSTALLATION INSTRUCTIONS

sunlite[®]



WARNING: Read and understand these instructions before installing fixture.
This fixture is intended for installation in accordance with National Electrical Code or Canadian Electrical Code (as applicable) and local regulations. To assure full compliance with local codes and regulations, check with your local electrical inspector before installation. **To prevent electrical shock, turn off all electricity before proceeding.** Retain these instructions for maintenance reference.

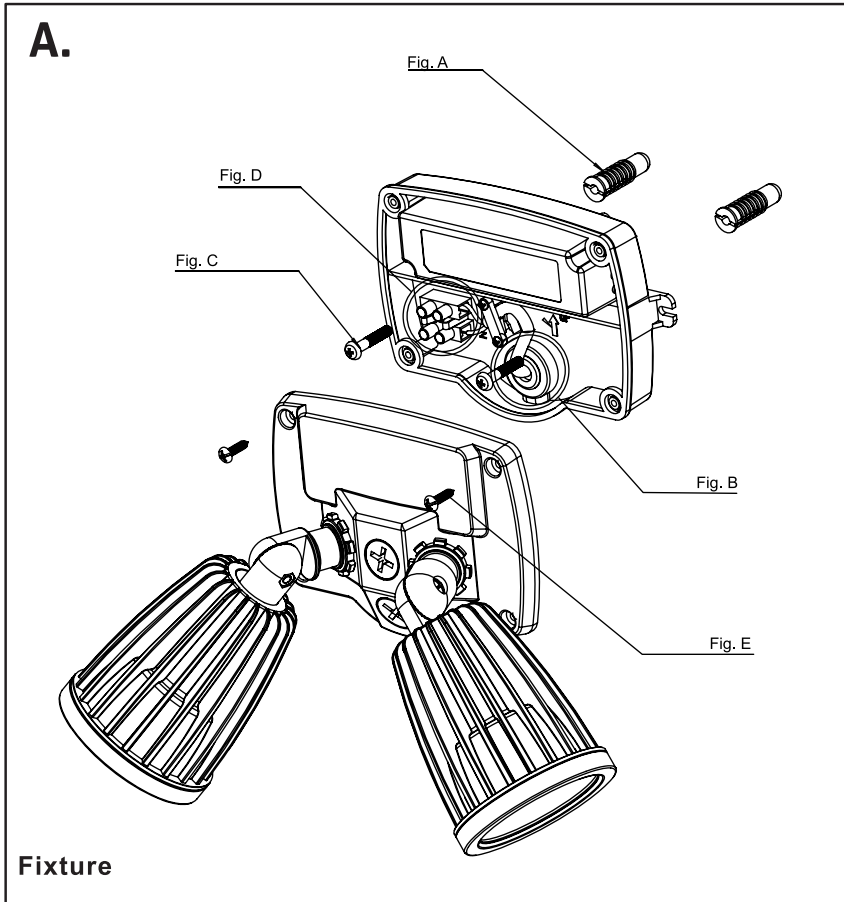


INSTRUCTIONS FOR **SUNLITE** ITEMS
LED Outdoor Flood Fixture

89095-SU LF20PF/30K
89097-SU LF20PFMS/30K

A. FIXTURE INSTALLATION

1. Connect (2) plastic anchors to existing junction box. (Fig. A)
2. Pull input wires through the round opening on fixture mount. (Fig. B)
3. Install fixture mount (with flat end facing up) by screwing the (2) provided mounting screws into the plastic anchors in junction box. (Fig. C)
4. Thread and tighten input wires into corresponding openings on wire access strip. (Fig. D)
5. Attach fixture body to mount (with heads and sensor facing downward) using (4) smaller screws. (Fig. E)



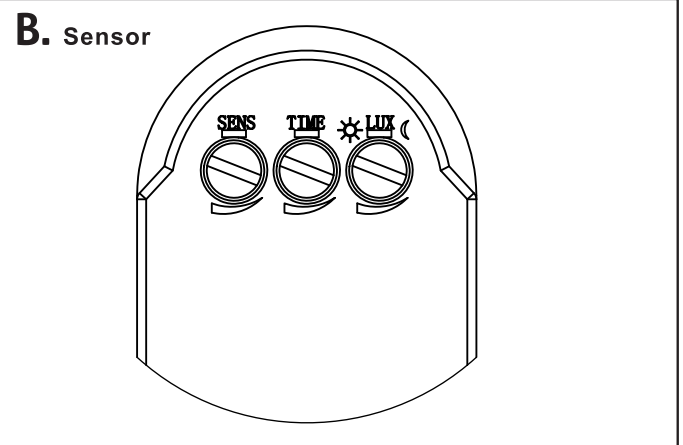
B. SENSOR SETTING

INITIAL SETUP/TESTING

1. Rotate **TIME** dial counter-clockwise to **MIN** (- symbol)
2. Rotate **SENS** dial clockwise to **MAX** (+ symbol)
3. Rotate **LUX** dial clockwise to **DAWN** (☀ symbol)
4. Wait for sensor to turn off (up to 1 minute)
5. Wave hands or walk back and forth in front of the fixture for lights to go on. (Sensor and lamp heads can be adjusted for desired setup).

SETTINGS

- **TIME** controls the duration of time the fixture stays on once activated (*MIN* for shorter duration, *MAX* for longer duration)
- **SENS** controls the sensitivity of the Motion Sensor (*MIN* for lower sensitivity, *MAX* for higher sensitivity)
- **LUX** controls the sensitivity of the Photocontrol Sensor (*DUSK* [☾ symbol] for lower sensitivity, *DAWN* for higher sensitivity)



LIMITED WARRANTY: This product (including its housing, mounting hardware, driver, optics, and trim) is warranted to be free from defects in workmanship and material for up to 3 years. If this product is found defective when used in accordance with package directions, Sunlite will repair or replace the defective parts upon receipt of the entire fixture and all its components, register receipt, and proof of purchase. Go to www.sunshinelighting.com and email us to find out how to return the fixture/driver. Sunlite is committed to making high quality products. Returning the defective product will help us monitor and further improve product quality. This replacement is the sole remedy available and **LIABILITY FOR INCIDENTAL OR CONSEQUENTIAL DAMAGES IS HEREBY EXPRESSLY EXCLUDED.** Some states do not allow exclusion of incidental or consequential damages, so the above limitation or exclusion may not apply to you. This warranty gives you specific legal rights, and you may also have other rights which vary from state to state. Sunlite reserves the right to review and approve all warranty claims.