

# **sunlite**<sup>®</sup>

## **INSTALLATION INSTRUCTIONS**

For LED Corn Cob Lamps

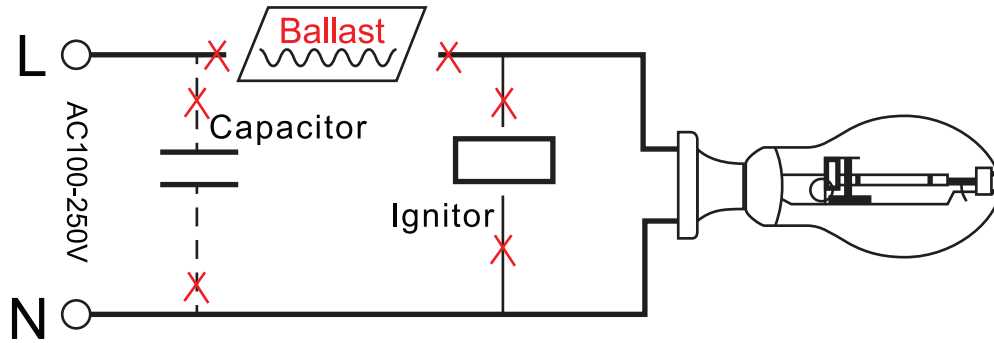
**Please read and understand this entire manual before attempting to assemble, operate or install the product.**



**WARNING:** Avoid fire or electric shock. Follow installation instructions carefully. Turn power off at the fused box during installation. This product is suitable for indoor and outdoor applications. Not suitable for dimmers. Safety cable must be fastened to lamp to avoid risk of injury or death. Not suitable with ballasts. Lamp operates on direct line voltage only. Ballast must be removed from fixture prior to installing lamp. Failure to do so will damage the lamp. Operating temperature -30°C to 55°C (-22°F to 131°F). Suitable for damp locations.

This device complies with part 15 of the FCC Rules. Operation is subject to the following two conditions: (1) this device may not cause harmful interference, and (2) this device must accept any interference received, including that may cause undesired operation.

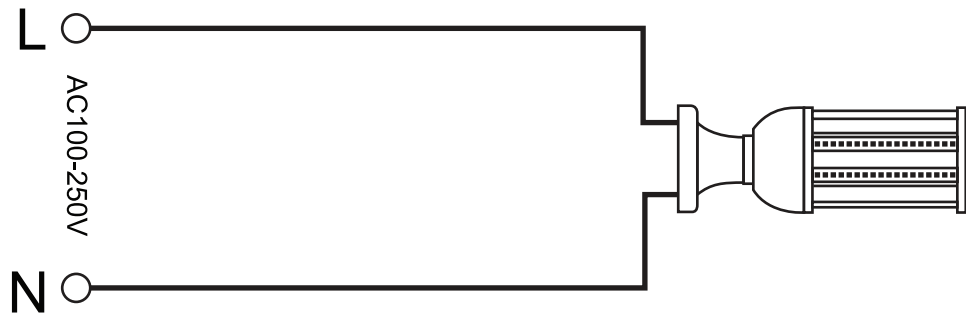
1. Disconnect ballast from the fixture. Remove and dispose of ballast in correct manner.



2. Reconnect wiring directly to socket.



3. Install LED Corn Cob replacement bulb. Please ensure that fixture is properly grounded before use.



**Sunshine Lighting Company**

744 Clinton Street Brooklyn, NY 11231, USA

T. 718.768.7000

F. 718.768.0970

[www.sunlite.com](http://www.sunlite.com)