



INSTALLATION INSTRUCTIONS

Model: 88112-SU | LFX/WL/40W/40K | LED WORK LIGHT FIXTURE

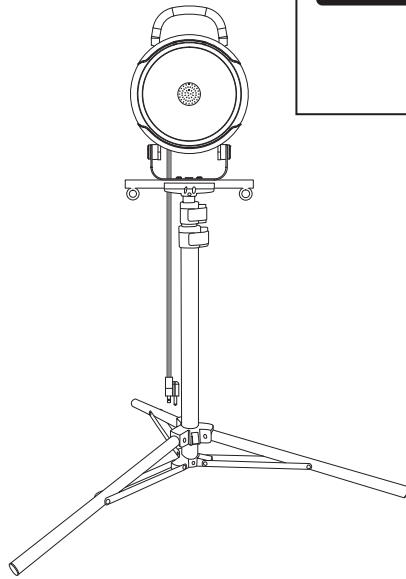
Please read and understand this entire manual before attempting to assemble, operate or install the product.

WARNING: Avoid fire or electric shock. Follow installation instructions carefully. Use only 3-wire UL Listed outdoor extension cords that have 3-prong grounded plugs and grounded receptacles that accept the work light's plug. To avoid a hazard to children, account for all parts and destroy all packing materials. This product is suitable for indoor damp applications.

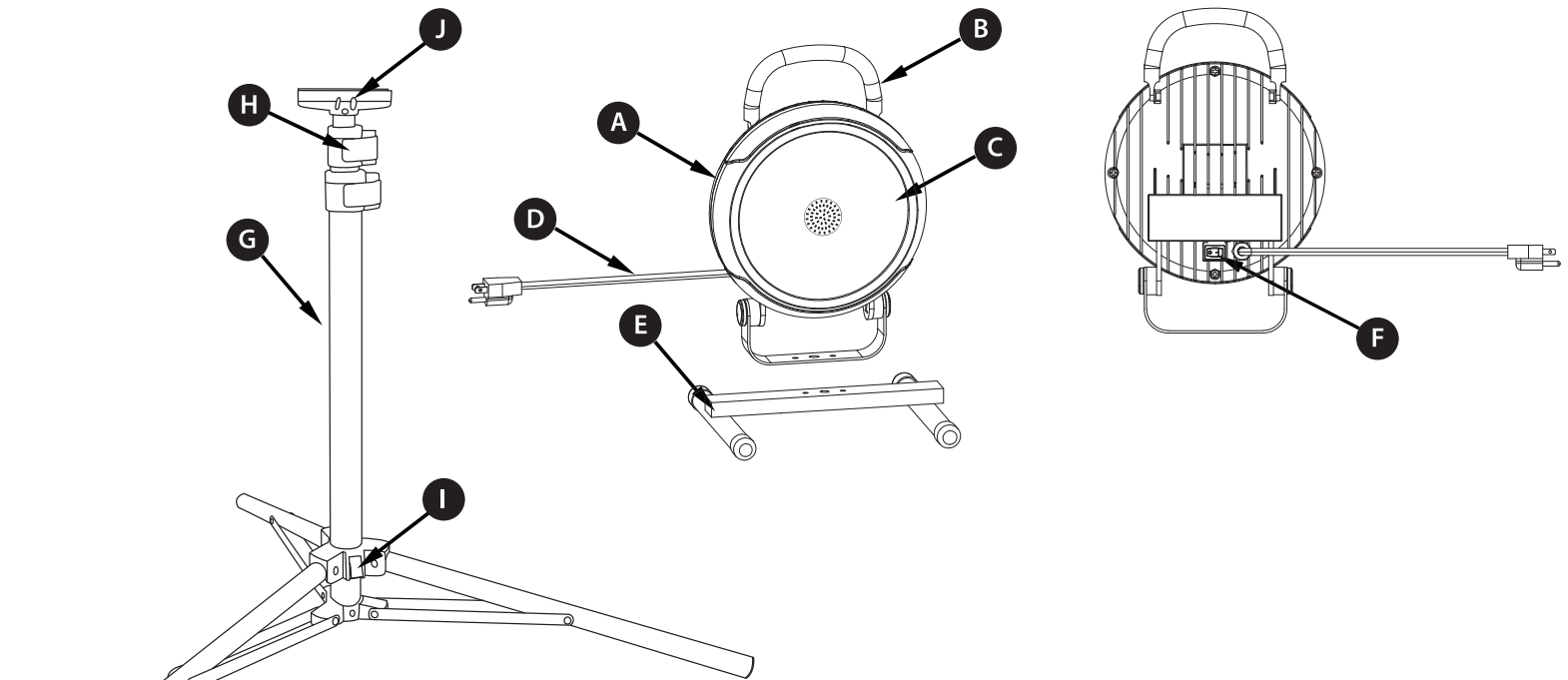


CAUTION: Always unplug work light and allow lamp head to cool. The work light lamp head gets HOT very quickly. Only touch the power plug or handle when turning the lamp head ON or OFF. THIS FIXTURE BODY IS ONE PIECE, DO NOT DISASSEMBLE OR MAKE ALTERATIONS.

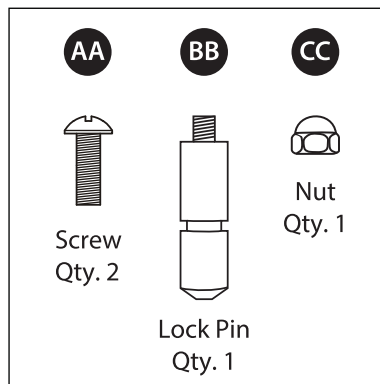
This device complies with part 15 of the FCC Rules. Operation is subject to the following two conditions: (1) this device may not cause harmful interference, and (2) this device must accept any interference received, including that may cause undesired operation.



Package Contents

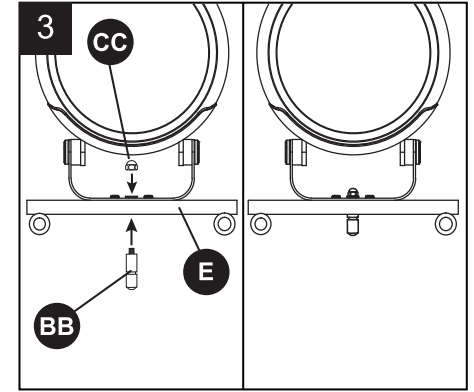
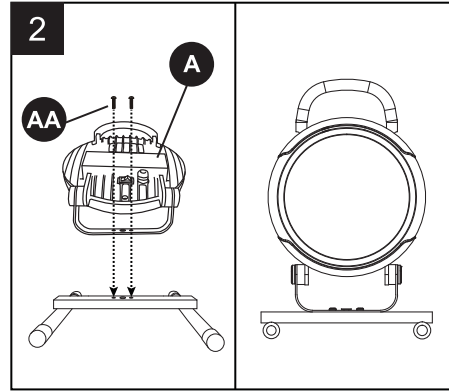
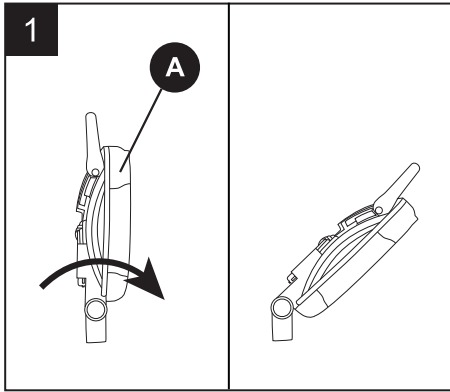


Hardware Contents



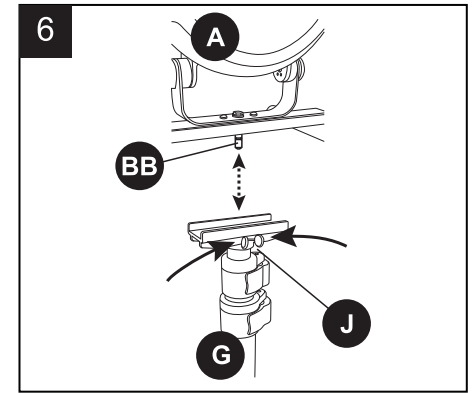
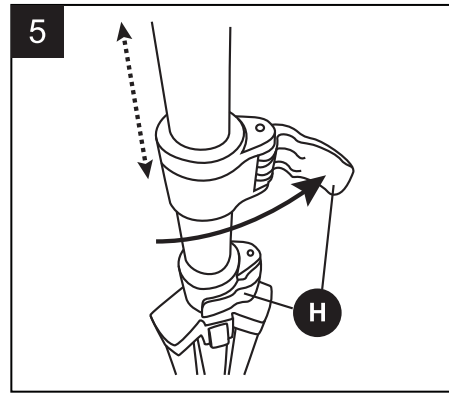
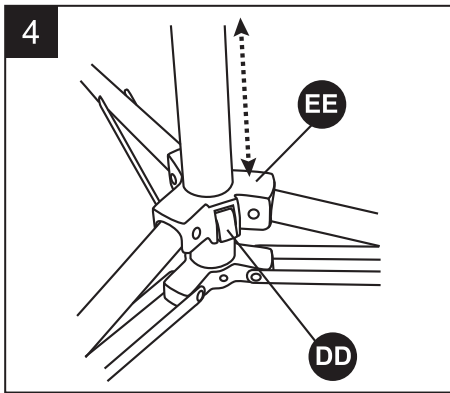
- A. Light Fixture
- B. Handle
- C. Lens Assembly
- D. Power Cord
- E. Light Fixture Stand
- F. On/Off Switch
- G. Tripod
- H. Height Extension Lock
- I. Tripod Leg Lock Release
- J. Light Head Release Knobs

Installation



1. Pivot the Light Fixture (A) until Lens Assembly (C) is angled down 45 degrees
2. Secure the Light Fixture (A) to the Light Fixture Stand (E) using two Screws (AA).
3. Insert Lock Pin (BB) through the center of the Light Fixture Stand (E) and secure the Lock Pin (BB) by using the Nut (CC) with pliers (not included).

Operating Instructions



4. To extend the Tripod legs, press the Lock Release Button (DD) and pull the Collar Assembly (EE) down until the legs lock in place at the bottom of the Tripod stand. To return the legs to the folded position for storage, press the Tripod Leg Lock Release Button (DD) and pull the Collar back up to the top.

5. The tripod height can be adjusted by releasing the Height Extension Locks (H) and extending the tripod to the desired height, then locking the Height Extension Locks.

6. To attach the Light Fixture (A), align the Lock Pin (BB) over the mounting hole of the Tripod (G), push down firmly until the Light Fixture (A) clicks into place.

To release the Light Fixture (A), squeeze the Light Head Release Knobs (J) together while pulling the Light Fixture (A) up and away from the Tripod (G).