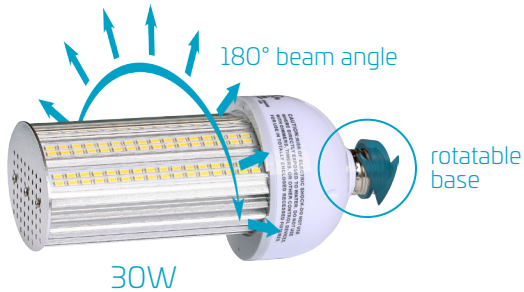


LED HID Replacement : Horizontal

Features



20-40
watts

2,800-
5,600
lumens

140
lpw

E26/
E39
base

- LED replacement for high wattage HID fixtures from 100W to 250W
- Consumes up to 80% less energy than conventional HID systems
- State-of-the-art LED light sources deliver over 140 lumens per watt
- Rotatable base provides precision aiming
- Lasts 3x longer than metal halide or HPS HID lamps
- Choice of 4000K or 5000K CCT
- Shatter resistant for reduced risk of injury & breakage
- Integral driver, eliminates the need for external driver or ballast
- Environmentally friendly: contains no glass, mercury, or lead
- Suitable for use in totally enclosed fixtures

RoHS
Compliant



Performance

- 4000K, 5000K
- 140 lpw
- 180° beam angle
- 80+ CRI
- 50,000 hour life @ L70
- Direct line voltage 100-277V - not compatible with ballasts
- Power Factor > 0.9
- Non-dimmable
- Horizontal mounting position
- UL1598C – Existing fixtures retain UL certification
- cULus - damp location rated
- Operating temperature: -40°F to 140°F (-40°C to 60°C)
- Built-in 4kV surge protection included

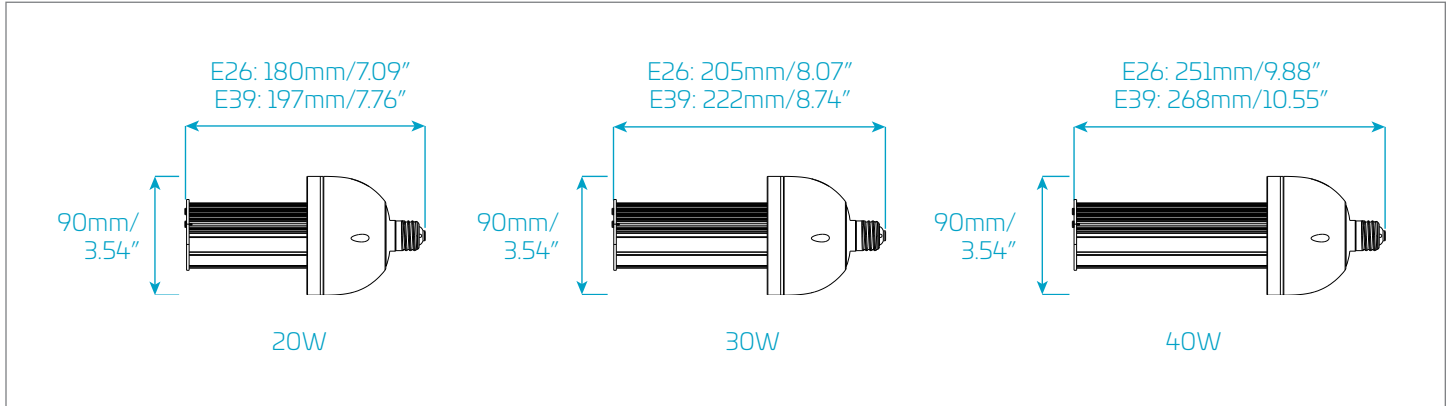
Applications

- Industrial
- Commercial



LED HID Replacement : Horizontal

Dimensions



Ordering Information

Order Code	Item #	Lm	W	CCT	CRI	V	Life/Hrs	Base	Bm	MOL in/mm	MOD in/mm	Replaces HID
09652	LED20WPT/180/30KMED-G7	2,700	20W	3000K	80+	100-277V	50K	E26	180°	7.09/180	3.54/90	100W
09653	LED20WPT/180/40KMED-G7	2,700	20W	4000K	80+	100-277V	50K	E26	180°	7.09/180	3.54/90	100W
09654	LED20WPT/180/50KMED-G7	2,800	20W	5000K	80+	100-277V	50K	E26	180°	7.09/180	3.54/90	100W
09655	LED30WPT/180/30KMED-G7	4,050	30W	3000K	80+	100-277V	50K	E26	180°	8.07/205	3.54/90	175W
09656	LED30WPT/180/40KMED-G7	4,050	30W	4000K	80+	100-277V	50K	E26	180°	8.07/205	3.54/90	175W
09657	LED30WPT/180/50KMED-G7	4,200	30W	5000K	80+	100-277V	50K	E26	180°	8.07/205	3.54/90	175W
09658	LED40WPT/180/30KMED-G7	5,400	40W	3000K	80+	100-277V	50K	E26	180°	9.88/251	3.54/90	250W
09659	LED40WPT/180/40KMED-G7	5,400	40W	4000K	80+	100-277V	50K	E26	180°	9.88/251	3.54/90	250W
09660	LED40WPT/180/50KMED-G7	5,600	40W	5000K	80+	100-277V	50K	E26	180°	9.88/251	3.54/90	250W
09402	LED20WPT/180/40KMOG-G7	2,700	20W	4000K	80+	100-277V	50K	E39	180°	7.76/197	3.54/90	100W
09403	LED20WPT/180/50KMOG-G7	2,800	20W	5000K	80+	100-277V	50K	E39	180°	7.76/197	3.54/90	100W
09404	LED30WPT/180/40KMOG-G7	4,050	30W	4000K	80+	100-277V	50K	E39	180°	8.74/222	3.54/90	175W
09405	LED30WPT/180/50KMOG-G7	4,200	30W	5000K	80+	100-277V	50K	E39	180°	8.74/222	3.54/90	175W
09406	LED40WPT/180/40KMOG-G7	5,400	40W	4000K	80+	100-277V	50K	E39	180°	10.55/268	3.54/90	250W
09407	LED40WPT/180/50KMOG-G7	5,600	40W	5000K	80+	100-277V	50K	E39	180°	10.55/268	3.54/90	250W

NOTE: Use order code when ordering.

watch > like > follow



23220 W. 84th St, Shawnee, KS 66227 · (P) 1.800.852.2217 · (F) 1.800.492.8975
 Canada: 81 King St, Barrie, ON L4N 6B5 · (P) 1.888.410.8151 · (F) 1.888.705.1335