

LED HID Replacement : Highbay/Lowbay



115
watts

>15K
lumens

up to
135+
lpw

80+
CRI

Features

- Cost-effective solution for highbay and lowbay applications, replacing 400W HID fixtures
- 135 lpw ultra-high efficiency delivers superior performance over legacy HID
- Lasts 3x longer than metal halide or HPS
- Ballast bypass; connects to line voltage
- Up to 80% energy savings
- Solid state; no fans or moving parts
- Instant-on with no warmup
- DLC Qualified
- 5 year warranty



Performance

- 4000K: 14,950 lumens @ 115W
- 5000K: 15,525 lumens @ 115W
- CRI > 80
- 50,000 hours (L70) life
- 120-277V
- UL Dry/Damp Location Rated
- -40°F to 140°F (-40°C to 60°C) operating temperature
- Power Factor: > 0.9
- Surge Suppression: 6kV
- Suitable for use in enclosed fixtures

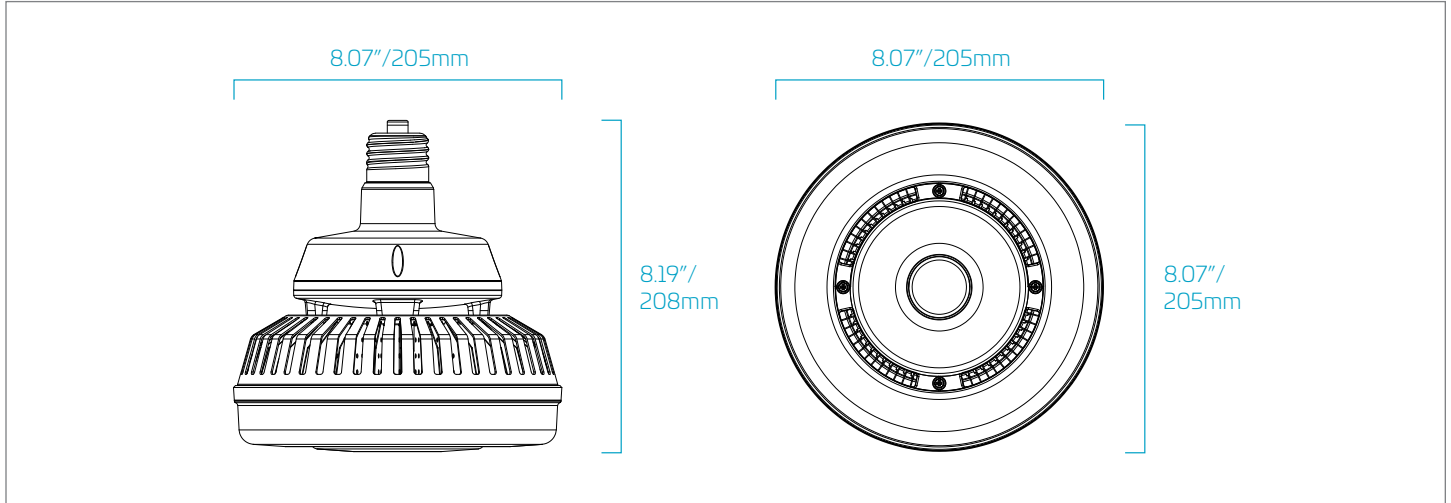
Applications

- Warehouses
- Manufacturing Plants
- Distribution Centers
- Grocery Stores
- Gymnasiums
- Indoor Recreational Facilities
- Cold Storage
- Big Box Retail
- Service Repair Centers

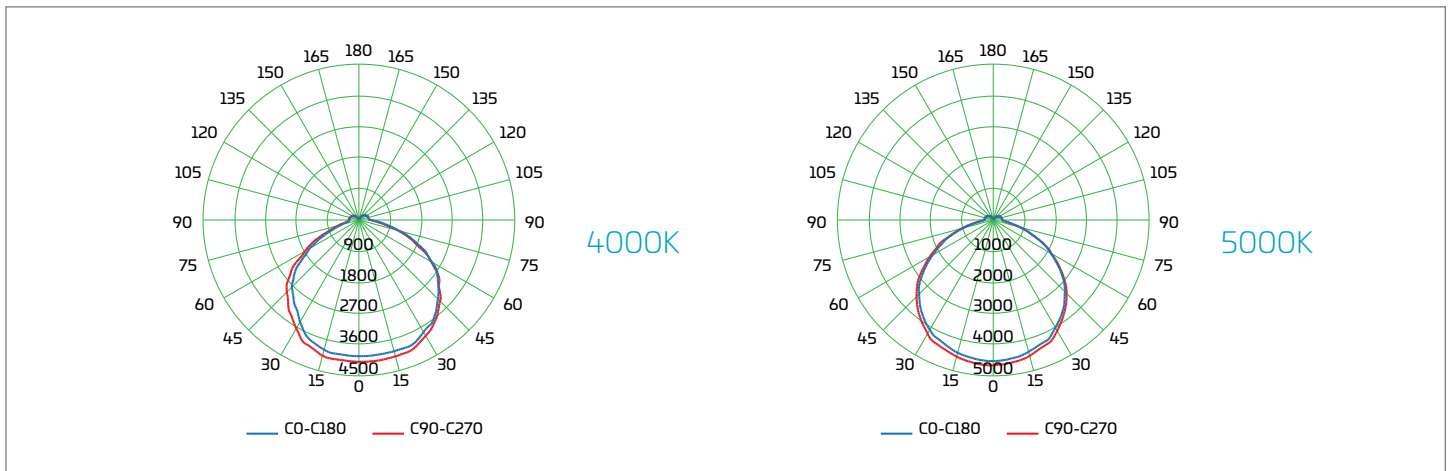


LED HID Replacement : Highbay/Lowbay

Dimensions



Photometrics



Ordering Information

Order Code	Item #	Lm	W	CCT	CRI	Life/Hrs	Base	V	Replaces HID	DLC
09698	LED115WB40KMOG-G7	14,950	115W	4000K	80+	50K	EX39	120-277V	400W	✓
09699	LED115WB50KMOG-G7	15,525	115W	5000K	80+	50K	EX39	120-277V	400W	✓

✓DesignLights Consortium® Qualified

watch > like > follow



23220 W. 84th St, Shawnee, KS 66227 · (P) 1.800.852.2217 · (F) 1.800.492.8975
Canada: 81 King St, Barrie, ON L4N 6B5 · (P) 1.888.410.8151 · (F) 1.888.705.1335