



## WMG : LED WALLPACK GLASS

### DESCRIPTION

- Dimming standard on 3C, 4C and 5C models
- UV stabilized powder-coated bronze finish
- Enclosure and hardware are corrosion resistant

### LISTINGS

- UL Listed for wet locations
- IP65 Rated
- DesignLights Consortium® Qualified - meets DLC requirements for efficacy and lumen maintenance

### LED CHARACTERISTICS

- Rated lifetime L70: 50,000 hours
- 4000K, 5000K CCT
- CRI: 70+

### ELECTRICAL

- Input voltage: 120-277V; 277-480V
- Power Factor: >.90
- THD: <20%

### CONSTRUCTION

- Die-cast aluminum body with traditional HID appearance
- Multiple ½" NPS entry points for conduit and accessories
- Fully sealed and gasketed
- Borosilicate tempered glass lens
- -40°F to 104°F (-40°C to 40°C) operating temperature

### WARRANTY

- 5 year limited warranty; see eiko.com for warranty details

project name	type
catalog number	
comments	voltage
approved by	date



WMG-1C



WMG-2C/3C/4C



WMG-5C

### APPLICATIONS

- Industrial Parks
- Loading Docks
- Utility Sheds
- Entryways
- Walkways
- Storage Areas
- Security



## ORDERING INFORMATION

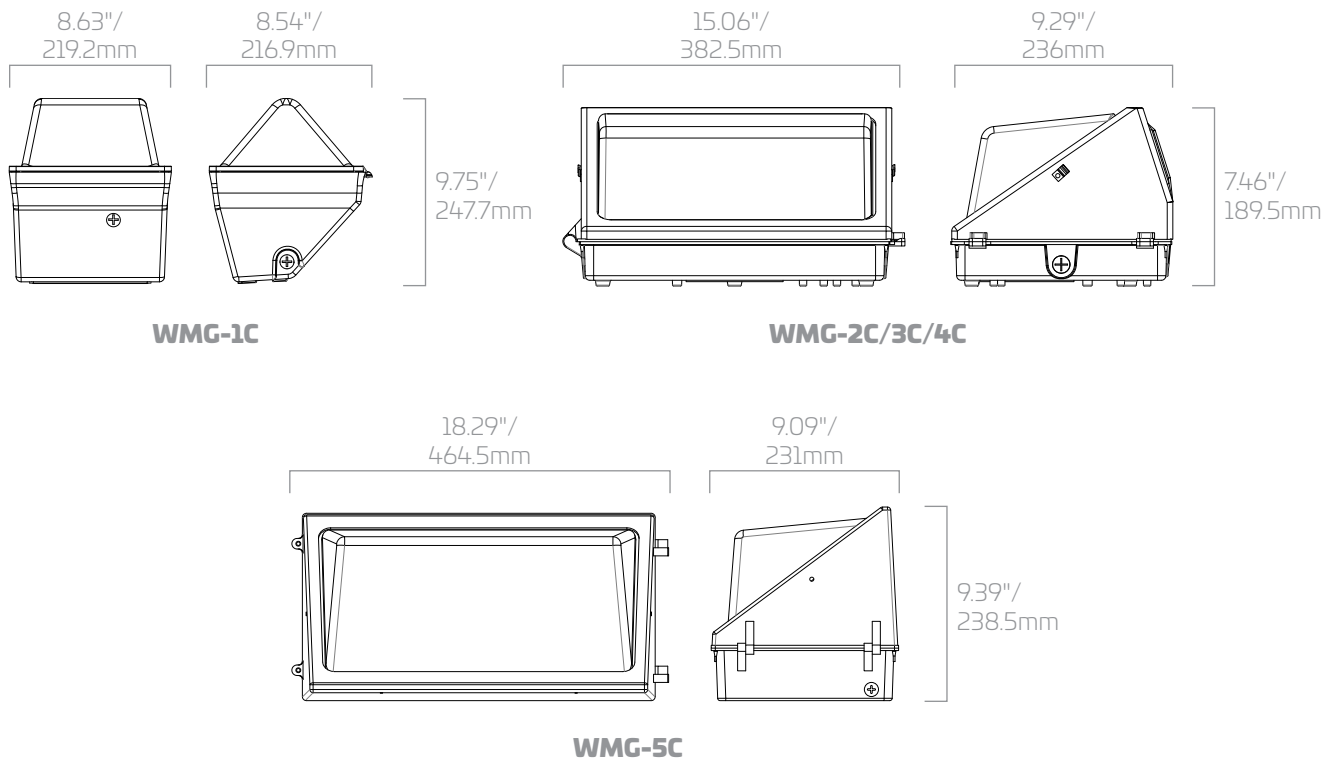
EXAMPLE: WMG-1C-40K-U

Model	Package	CCT	Voltage
WMG : LED Wallpack Glass	<b>1C</b> - 30W; 3,200 lm <b>2C</b> - 40W; 4,600 lm / 50W; 5,800 lm <b>3C</b> - 60W; 7,000 lm <b>4C</b> - 80W; 9,800 lm <b>5C</b> - 120W; 13,000 lm	<b>40K</b> - 4000K <b>50K</b> - 5000K	<b>U</b> - 120-277V <b>V</b> - 277-480V

## PERFORMANCE SUMMARY

Order Code	Item #	Watts	Lumens	CCT	CRI	Volts	Dimming	HID Equiv.	DLC
09802	WMG-1C-40K-U	30W	3,200	4000K	70+	120-277V	N/A	175W	✓
09574	WMG-1C-50K-U	30W	3,200	5000K	70+	120-277V	N/A	175W	✓
09803	WMG-2C-40K-U	50W	5,800	4000K	70+	120-277V	N/A	250W	✓
09807	WMG-2C-40K-V	40W	4,600	4000K	70+	277-480V	N/A	250W	✓
09575	WMG-2C-50K-U	50W	5,800	5000K	70+	120-277V	N/A	250W	✓
09596	WMG-2C-50K-V	40W	4,600	5000K	70+	277-480V	N/A	250W	✓
09804	WMG-3C-40K-U	60W	7,000	4000K	70+	120-277V	0-10V	250W	✓
09576	WMG-3C-50K-U	60W	7,000	5000K	70+	120-277V	0-10V	250W	✓
09805	WMG-4C-40K-U	80W	9,800	4000K	70+	120-277V	0-10V	400W	✓
09577	WMG-4C-50K-U	80W	9,800	5000K	70+	120-277V	0-10V	400W	✓
09808	WMG-4C-40K-V	80W	9,800	4000K	70+	277-480V	0-10V	400W	✓
09809	WMG-4C-50K-V	80W	9,800	5000K	70+	277-480V	0-10V	400W	✓
09806	WMG-5C-40K-U	120W	13,000	4000K	70+	120-277V	0-10V	400W	✓
09578	WMG-5C-50K-U	120W	13,000	5000K	70+	120-277V	0-10V	400W	✓

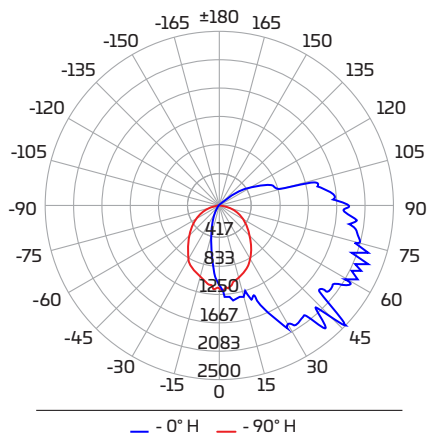
## DIMENSIONS



## ACCESSORIES

Order Code	Item #	Description
09966	PC1-4036-U	Photocell, Flush Mount, 120-277V
09967	PC1-4136-U	Photocell, Stem Mount, Side Lens, 120-277V
09968	PC1-4236-U	Photocell, Stem Swivel Mount, Side Lens, 120-277V
09969	PC1-4736-U	Photocell, Stem Swivel Mount, Top Lens, 120-277V

# PHOTOMETRICS



**WMG-2C-50K-U**