

WPT : LED Wallpack, Trapezoid



project name	type
catalog number	
comments	voltage
approved by	date

37/75
watts

2900/
6400
lumens

78
lpw

5000K
CCT

Features

- Latest generation of LED chips delivers a similar light output to a 175, 250, or 400W metal halide using only 1/3 the energy consumption
- Die-cast aluminum body
- Full cutoff optics prevents neighborhood light trespass; item is night sky friendly
- Heat and impact resistant tempered glass

Performance

- UL & CUL listed for wet locations
- IC protection
- 5000K CCT
- CRI: >70
- Input voltage: 120~277V

Applications

- Industrial Parks
- Loading Docks
- Utility Sheds
- Entryways
- Walkways
- Storage Areas
- Security

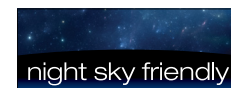
Ordering Information

Order Code	Item #	Lm	W	CCT	CRI	Life/Hrs	V	Replaces HID
08595	WPT-1C-U	2900	37W	5000K	70+	50,000	120-277V	175-250W
08596	WPT-2C-U	6400	75W	5000K	70+	50,000	120-277V	250-400W

Accessories (Sold Separately)

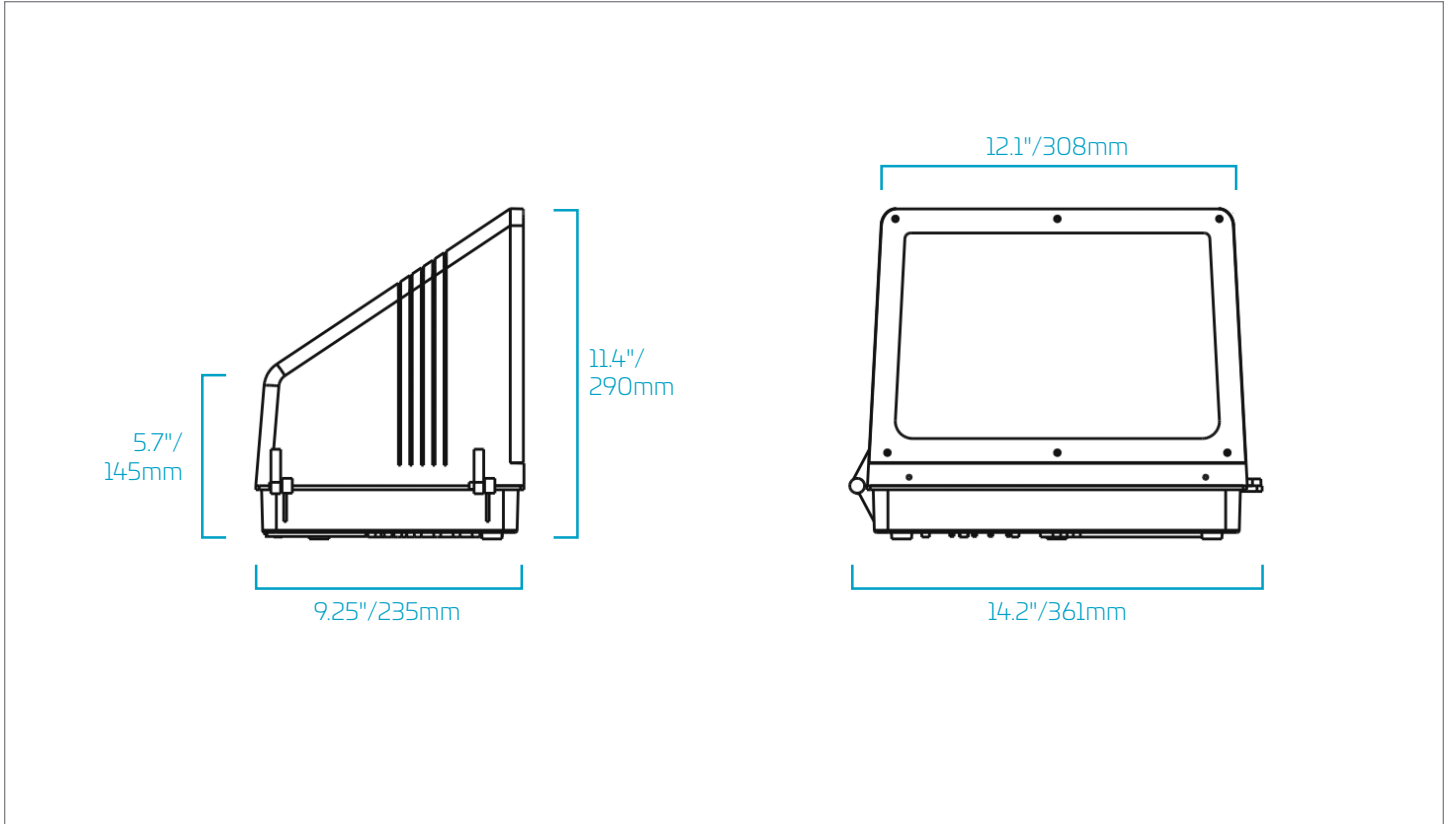
Order Code	Litespan Part #	Description
08738	PCB1	Photocontrol, Button Type 120V
08739	PCB2	Photocontrol, Button Type 277V
08865	LP1040-36-C0900	Replacement Driver for WPT-1C-U or WPT-2C-U (WPT-2C-U requires two drivers)
08746	WP-347T	Wallpack Step Down Transformer - 347V

RoHS 
Compliant



WPT : LED Wallpack, Trapezoid

Dimensions



watch > like > follow

