



## WPT : LED WALLPACK TRAPEZOID

### DESCRIPTION

- Latest generation of LED chips delivers a similar light output to a 175, 250, or 400W metal halide using only 1/3 the energy consumption
- Full cutoff optics prevents neighborhood light trespass; item is night sky friendly
- Fits most standard J-boxes

### LISTINGS

- UL Listed for wet locations
- IP65 Rated
- IC Protection
- DesignLights Consortium® Qualified - meets DLC requirements for efficacy and lumen maintenance

### LED CHARACTERISTICS

- Rated lifetime L70: 50,000 hours
- 4000K/5000K CCT
- CRI: 70+

### ELECTRICAL

- Input voltage: 120-277V; 347-480V
- Power Factor: >.90
- THD: <20%

### CONSTRUCTION

- Die-cast aluminum body
- Heat and impact resistant polycarbonate optics
- ½" NPS entry points for conduit and accessories
- -40°F to 104°F (-40°C to 40°C) operating temperature

### WARRANTY

- 5 year limited warranty; see eiko.com for warranty details

project name	type
catalog number	
comments	voltage
approved by	date



### APPLICATIONS

- Industrial Parks
- Loading Docks
- Utility Sheds
- Entryways
- Walkways
- Storage Areas
- Security



## ORDERING INFORMATION

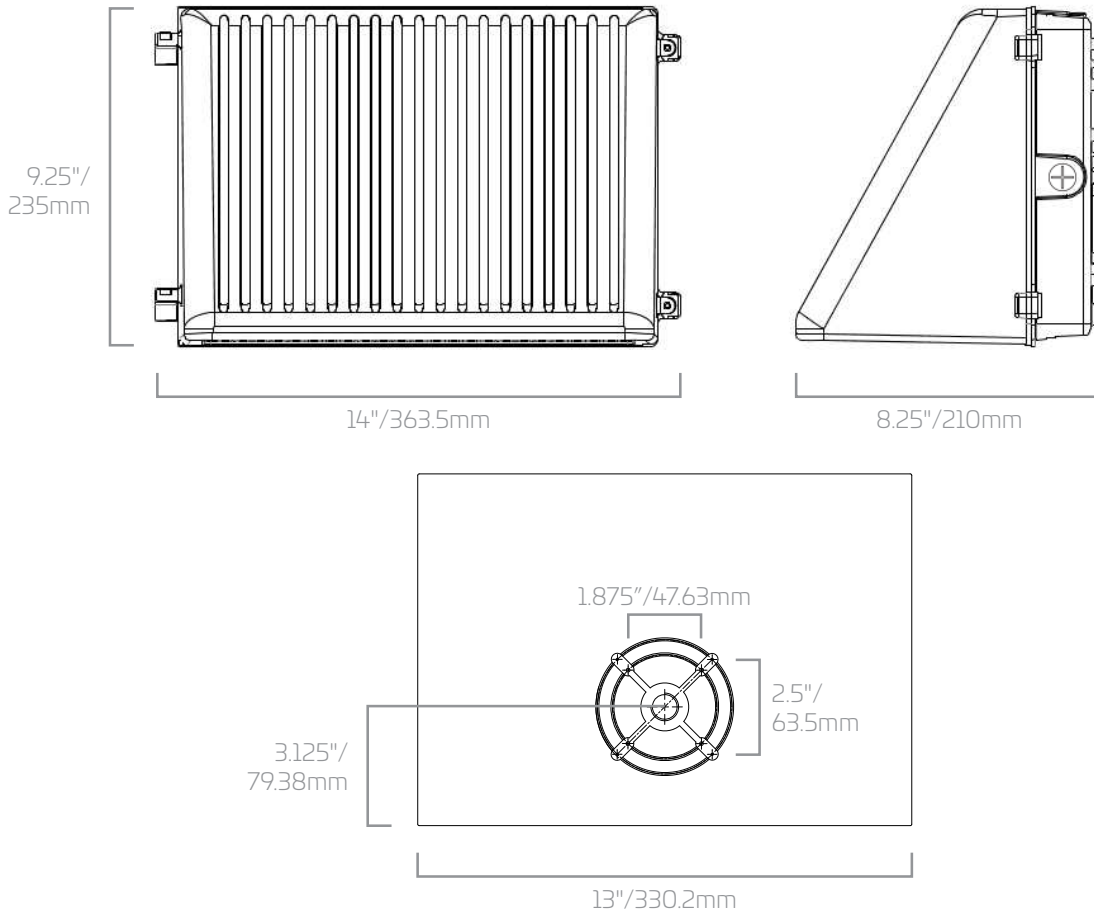
EXAMPLE: WPT1-55/840-BZ-U

Model	Package	CRI/CCT	Finish	Voltage
WPT1 : LED Wallpack Trapezoid	<b>55</b> - 50W; 5,500 lm <b>88</b> - 80W; 8,800 lm	<b>840</b> - 80 CRI; 4000K <b>850</b> - 80 CRI; 5000K	<b>BZ</b> - Bronze	<b>U</b> - 120-277V <b>V</b> - 347-480V

## PERFORMANCE SUMMARY

Order Code	Item #	Watts	Lumens	CCT	CRI	Volts	Replaces HID	DLC
09812	WPT1-55/840-BZ-U	50W	5,500	4000K	70+	120-277V	175-250W	✓
09813	WPT1-55/850-BZ-U	50W	5,500	5000K	70+	120-277V	175-250W	✓
09814	WPT1-88/840-BZ-U	80W	8,800	4000K	70+	120-277V	250-400W	✓
09816	WPT1-88/840-BZ-V	80W	8,800	4000K	70+	347-480V	250-400W	✓
09815	WPT1-88/850-BZ-U	80W	8,800	5000K	70+	120-277V	250-400W	✓
09817	WPT1-88/850-BZ-V	80W	8,800	5000K	70+	347-480V	250-400W	✓

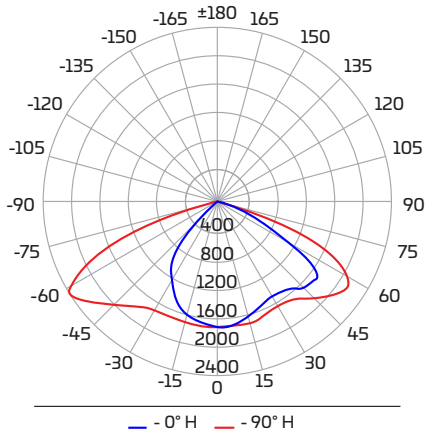
## DIMENSIONS



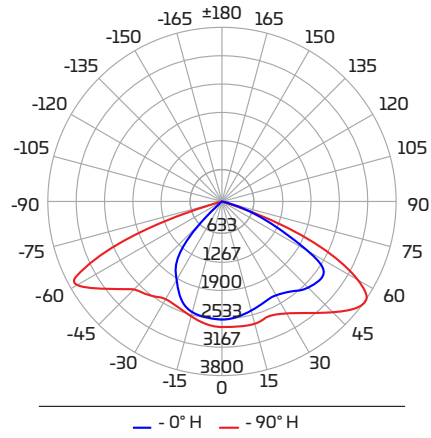
## AVAILABLE ACCESSORIES

Order Code	Item #	Description
08746	WP-347T	Wallpack Step Down Transformer - 347V
09966	PC1-4036-U	Photocell, Flush Mount, 120-277V
09967	PC1-4136-U	Photocell, Stem Mount, Side Lens, 120-277V
09968	PC1-4236-U	Photocell, Stem Swivel Mount, Side Lens, 120-277V
09969	PC1-4736-U	Photocell, Stem Swivel Mount, Top Lens, 120-277V

# PHOTOMETRICS



**WPT1-55**



**WPT1-88**