



VTS : LED VAPOR TIGHT SURFACE

DESCRIPTION

- Cost effective solid state LED solution for utility lighting applications replacing fluorescent luminaires
- >115 lpw ultra-high efficiency delivers superior performance
- Universal 120-277V operation
- 0-10V dimming control
- Includes surface mount hardware, v-hooks for hanging and cable gland for sealing power cable entry
- Includes multiple knockouts for pendant and conduit mounting

LISTINGS

- UL Listed for wet locations
- IP65 Rated
- DesignLights Consortium® Premium Qualified - meets the requirements for the highest DLC qualification for efficacy and lumen maintenance

LED CHARACTERISTICS

- Rated lifetime L70: 50,000 hours
- 4000K, 5000K CCT
- CRI: 80+

ELECTRICAL

- Input voltage: 120-277V
- Dimmable power supply (0-10V)
- Power Factor: >.90
- THD: <20%
- Driver Efficiency: >85%

CONSTRUCTION

- Durable polycarbonate lens and housing for demanding environments
- -22°F to 122°F (-30°C to 50°C) operating temperature

WARRANTY

- 5 year limited warranty; see eiko.com for warranty details

project name	type
catalog number	
comments	voltage
approved by	date



APPLICATIONS

- Parking Garage
- Utility Lighting
- Stairwells
- Warehouses
- Industrial/Commercial
- Low Bay
- Walkways
- Eaves
- Canopies



ORDERING INFORMATION

EXAMPLE: VTS-5CP-40K-U

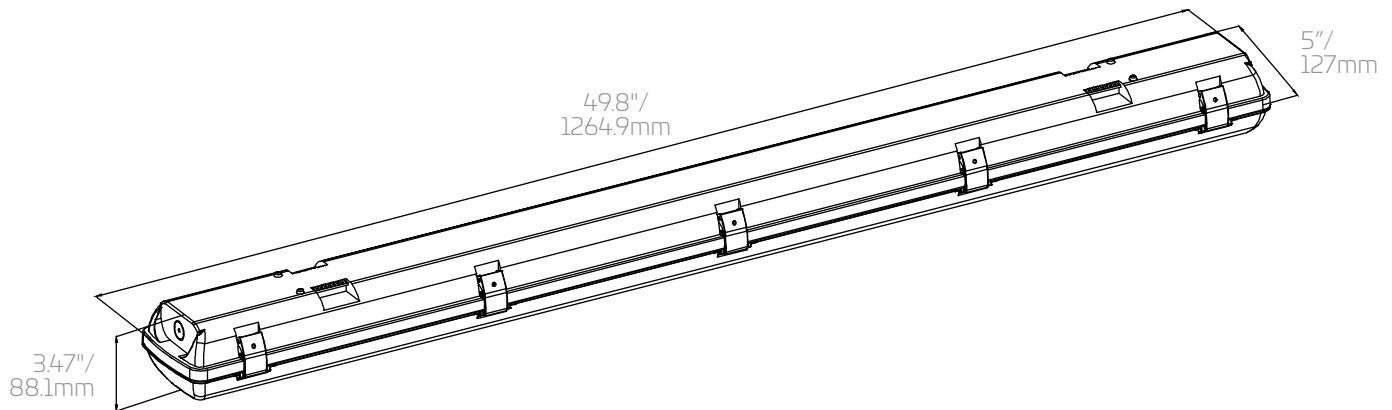
Model	Package	CCT	Voltage
VTS : LED Vapor Tight Surface	4CS - 40W; 4,400 lm 5CP - 40W; 5,200 lm 7CP - 52W; 6,760 lm 7CS - 65W; 7,150 lm	40K - 4000K	U - 100-277V

PERFORMANCE SUMMARY

Order Code	Item #	Watts	Lumens	CCT	CRI	Volts	Dimming	DLC
09714	VTS-4CS-40K-U	40W	4,400	4000K	80+	120-277V	0-10V	✓
09712	VTS-5CP-40K-U	40W	5,200	4000K	80+	120-277V	0-10V	✓✓
09713	VTS-7CP-40K-U	52W	6,760	4000K	80+	120-277V	0-10V	✓✓
09715	VTS-7CS-40K-U	65W	7,150	4000K	80+	120-277V	0-10V	✓

✓ DesignLights Consortium® Qualified ✓✓ DesignLights Consortium® Premium Qualified

DIMENSIONS



AVAILABLE ACCESSORIES

Order Code	Item #	Description
09849	FHSCP-UNV-5WL	5W Emergency Battery Backup
09851	FHSCP-UNV-7.8WL	7.8W Emergency Battery Backup
09850	FHSCP-UNV-10.7WL	10.7W Emergency Battery Backup
09852	FHSCP-UNV-13.7WL	13.7W Emergency Battery Backup
09854	FHSCP-UNV-17WL	17W Emergency Battery Backup
09966	PCI-4036-U	Photocell, Flush Mount, 120-277V
09967	PCI-4136-U	Photocell, Stem Mount, Side Lens, 120-277V
09968	PCI-4236-U	Photocell, Stem Swivel Mount, Side Lens, 120-277V
09969	PCI-4736-U	Photocell, Stem Swivel Mount, Top Lens, 120-277V
09890	SEN-3A-KO	Sensor, PIR OCC/PC, On/Off, IP66, High Bay Lens, ½ Inch Knock Out Mount
09909	SEN-S1A-KO	Sensor, OCC/PC/RC, IP65, 1/2" knockout mount, remote controllable
09908	SEN-S1-RC	Remote Control for S1A Sensors