



JOB NAME:

CAT#:

TYPE:

APPLICATIONS

A linear 2x3 fixture for distinctive architectural lighting plans. Ideal for corridors, lobbies and office areas, 2x3 Series fixtures can be installed individually or in a continuous run. Specifically designed for direct/indirect lighting with snap-in lens to hide the LED arrays. Ideal where downlight and uplight are required.

FEATURES & BENEFITS

- Available in custom finishes (consult factory)
- Fixtures can be surface mounted to the wall or ceiling or pendant hung by engineered hanging kit
- $c_{ETL_{US}}$ listed for damp locations up to 90 watts
- $L_{70} > 50000$ hrs.
- Min CRI 80
- PL3D comes standard (fixture to fixture wiring options for power and dimming)
- 5 year warranty

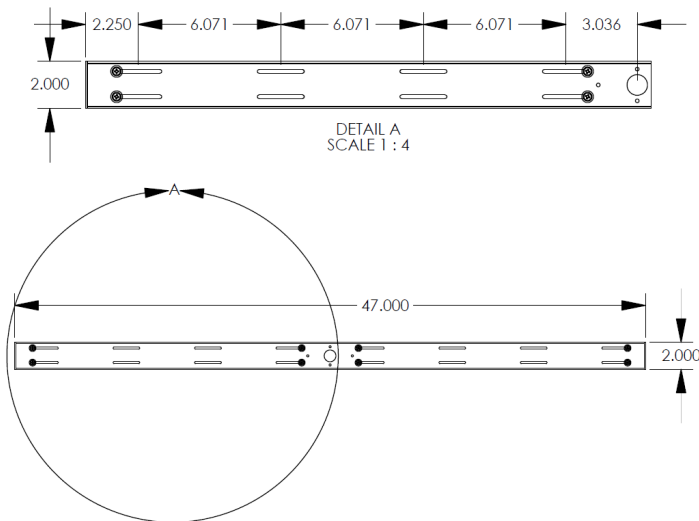


DIMENSIONS

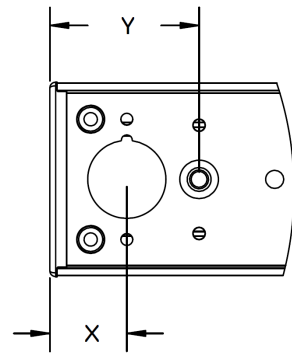
Part	L	W	H	X	Y
L23P24	24"	2"	3"	0.8"	1.55"
L23P48	48"	2"	3"	0.8"	1.55"
L23P96	96"	2"	3"	0.8"	1.55"

L = Length
W = Width
H = Height
X = Knock Out Distance
Y = Hanging Kit Distance

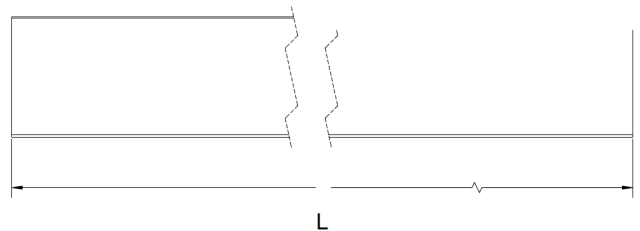
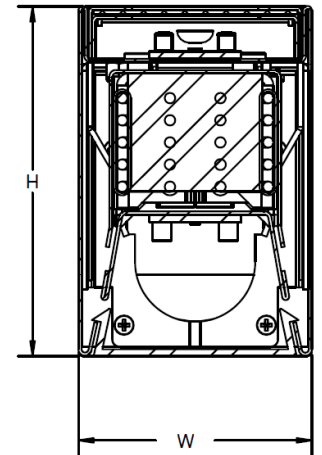
Wall Mount



Pendant/Surface Mount



End Side View



Dimensions and specifications subject to change without notice.





JOB NAME:

CAT#:

TYPE:

ORDERING

EXAMPLE: L23 W 24 LED 13 DMV BK SF 30 EM SS H6W5

LED

1. SERIES	2. MOUNTING	3. LENGTH	4. GEAR	5. LED MODULE DISTRIBUTION	6. WATTAGE/LUMENS	7. DRIVER	
L23	P Pendant	24 24"	LED	Blank Downlight (std.)	Downlight 24 in.	DMV 120-277V Multivolt 0-10V Dimmable	
	S Surface ¹	48 48"		1U2D Uplight and Downlight		13 13 Watts 1300 Lumens	SDMV Step dimming Multivolt
	W Wall	96 96"				19 19 Watts 1900 Lumens	D347V 347VAC 0-10V Dimming
						23 23 Watts 2300 Lumens	D120 Triac Dimming 120VAC
						48 in.	D277 Triac Dimming 277VAC
						26 26 Watts 2600 Lumens	
						38 38 Watts 3800 Lumens	
						45 45 Watts 4500 Lumens	
						96 in.	
						52 52 Watts 5200 Lumens	
						76 76 Watts 7600 Lumens	
						90 90 Watts 9000 Lumens	
						1 Up and 2 Down Only 24 in.	
					18 18 Watts 600U-1200D		
					27 27 Watts 900U-1800D		
					48 in.		
					36 36 Watts 1200U-2400D		
					54 54 Watts 1800U-3600D		
					96 in.		
					72 72 Watts 2400U-4800D		
					108 108 Watts 3600U-7200D		

8. FINISH ²	9. LENS	10. COLOR TEMP	11. EM (O) ⁵	12. SENSOR (O) ⁵	13. HANGING KIT (O) ⁵	14. CONFIGURATION
BK Black	SF Snap-in	30 3000K	EM Emergency Battery Backup ³	SS Integral Occupancy Sensor (adds ~3" to fixture length)	H6W5 HC606 cable kit with 6' cable & 5 wire power feed/cable incl. & white canopy ⁴	Blank Individual
SI Silver	Frosted Acrylic	35 3500K			H12W5 HC612 cable kit with 12' cable & 5 wire power feed/cable incl. & white canopy ⁴	-B Beginner Run
WH White	Lens (85% transmission)	40 4000K			2SCS24WH Two stem kits with 24" stem, canopy, and mounting	-E Ender Run
		50 5000K				-J Joiner Run

ACCESSORIES

- A-HCPF606WH** Pendant mount 5 wire power feed canopy kit, 6' cable with white canopy
- A-HCPF612WH** Pendant mount 5 wire power feed canopy kit, 12' cable with white canopy
- A-HCNPF606WH** Pendant mount non-power canopy kit, 6' cable with white canopy
- A-HCNPF612WH** Pendant mount non-power canopy kit, 12' cable with white canopy

Notes:

- ¹Downlight only
- ²Consult for custom finish options
- ³Consult for EM options. If not specified EM pack will be remote mounted
- ⁴Replace "W" with "B" for black canopy. Consult for more color options.
- ⁵(O) is optional
- ⁶See L23R-L23RF-L23RR-LED and L23R-LED spec sheet for matching recessed fixtures

Dimensions and specifications subject to change without notice.

Cable Kit Includes:
1 - power feed kit w/ 6' or 12', 5 wire power cable w/ clear cord, white canopy, and mounting kit
1 - non-power feed kit w/ 6' or 12' non-powerfeed cable w/ clear cord, white canopy, and mounting kit





JOB NAME:

CAT#:

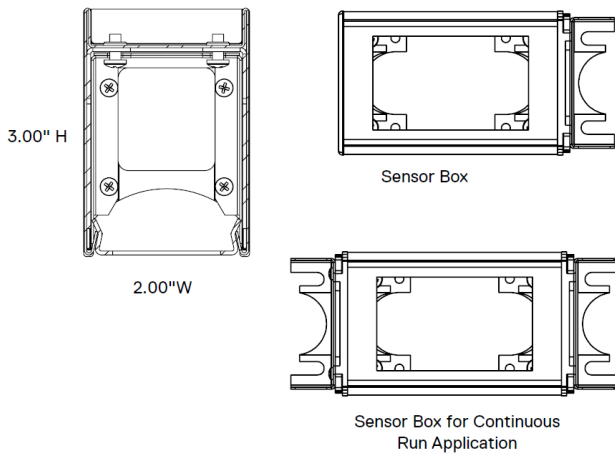
TYPE:

OCCUPANCY SENSOR

- Push-button programmable adjustable time delays
- No field calibration or sensitivity adjustments required
- Convenient test mode
- Green LED indicator
- Adds ~3" to fixture length

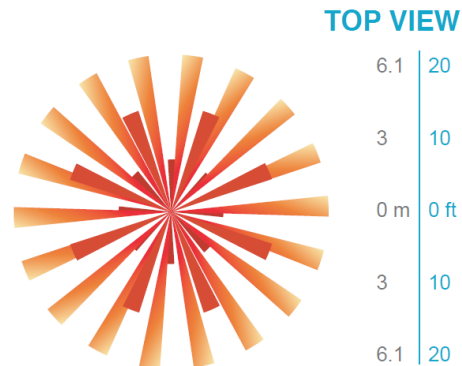
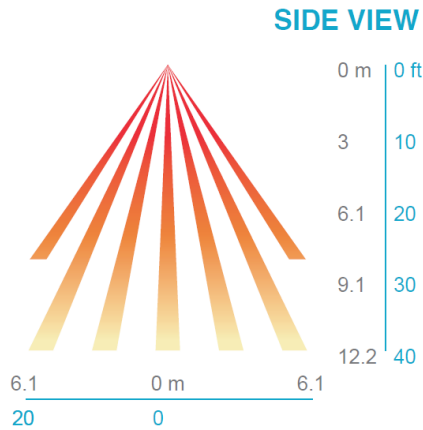


**SENSOR BOX
DRAWINGS & DIMENSIONS**



UNIVERSAL 360° LENS

- Provides excellent detection of large motion (e.g. walking) when mounted between 15 to 40 ft (4.57 to 12.19 m)
- 15 to 20 ft (4.57 to 6.10 m) radial coverage overlaps area lit by a typical high bay fixture
- Recommended for fixtures that have a 1:1 spacing to mounting height ratio or less (e.g. fixtures 30' on center or less @ a 30' mounting height).



Dimensions and specifications subject to change without notice.

