



JOB NAME:

CAT#:

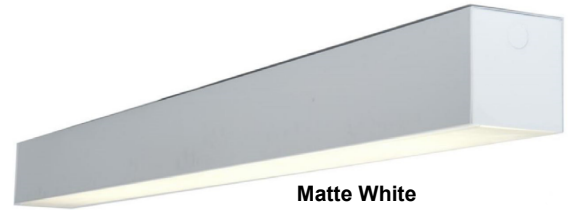
TYPE:

APPLICATIONS

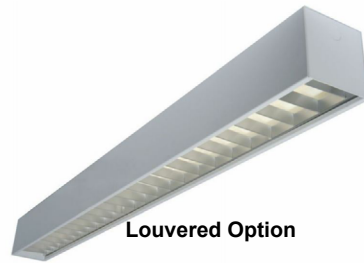
The linear 4x4 LED Linear fixture is for distinctive architectural lighting plans. Ideal for corridors, lobbies and office areas. The 4x4 Series fixtures can be installed individually or in group patterns. Die-formed and welded 22-gauge cold rolled steel. Removable end plates allow continuous wireway mounting.

FEATURES & BENEFITS

- Fixtures can be surface mounted, recessed mounted or pendant hung by stem or cable
- Accepts various lenses or louvers
- 8' units have a steel mullion to join two individual diffusers
- Optional welded light-leak flanges are available on ends
- Option to continuous row mount is standard by removing end plates
- Every fixture is individually tested
- Recessed versions are all IC Rated (L44R,L44RF,L44RR)
- cETL_{us} listed for damp location



Matte White



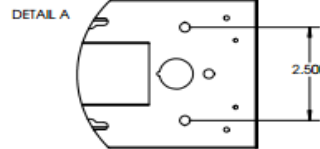
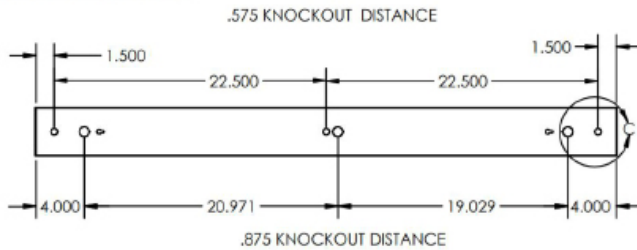
Louvered Option



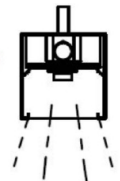
No Reflector

DIMENSIONS

4FT Dimensions

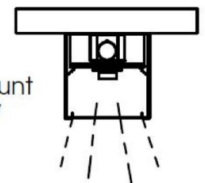


Type **P**
Pendant Mount

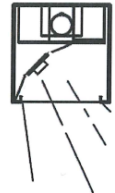


or

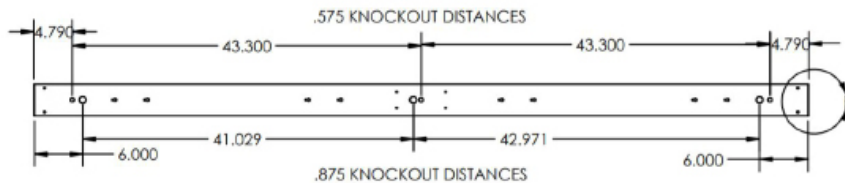
Type **S**
Surface Mount
Direct only



Type **WW**
Wall Wash



8FT Dimensions



Dimensions and specifications subject to change without notice.





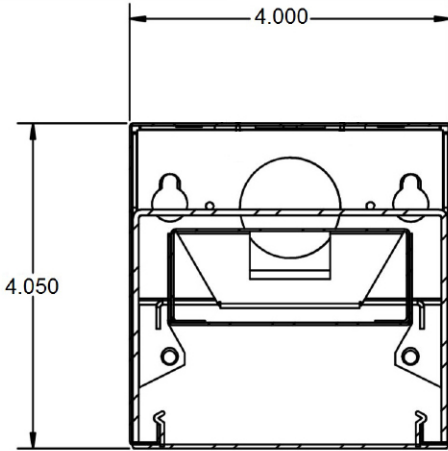
JOB NAME:

CAT#:

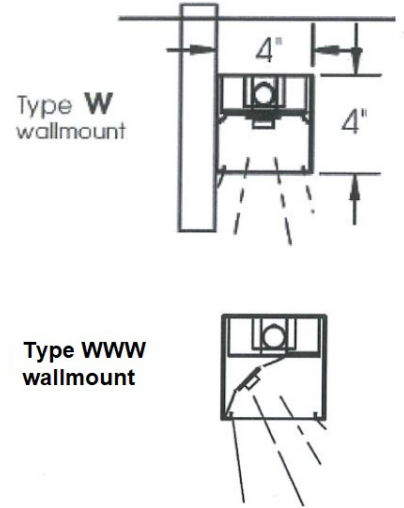
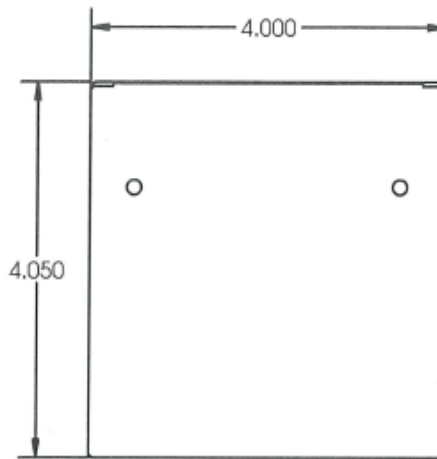
TYPE:

DIMENSIONS

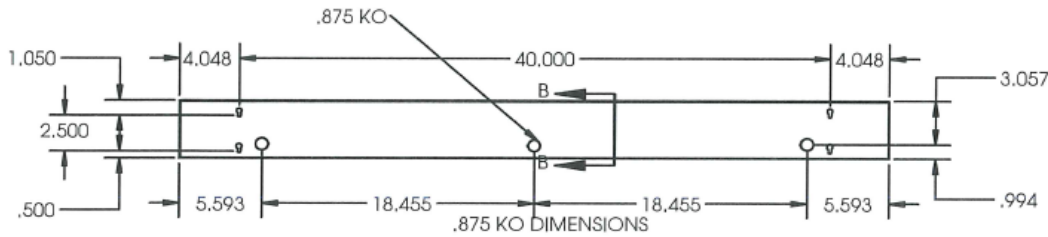
Side View - Pendant Mount



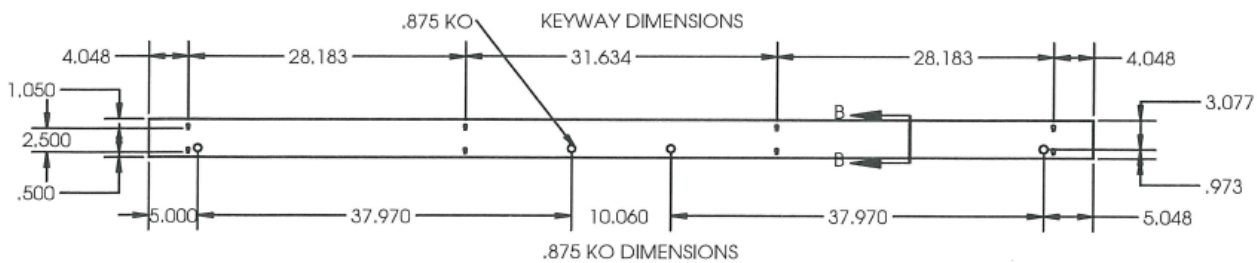
Side View - Wall Mount



4FT Dimensions



8FT Dimensions



Dimensions and specifications subject to change without notice.





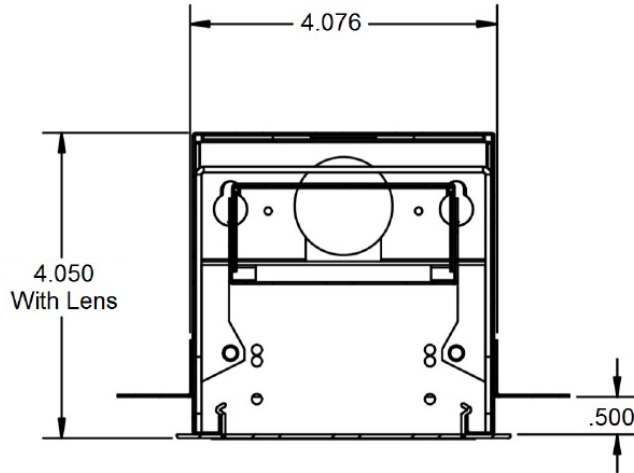
JOB NAME:

CAT#:

TYPE:

DIMENSIONS

Side View - Recessed



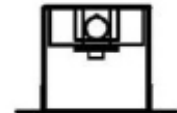
Flange Details

Type RR
Recess for Drywall/
Hard Ceiling
-RR (1/2 inch)
-RR650 (5/8 inch)
-RRxxx (custom depth)



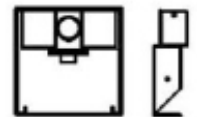
Flangeless
Appearance

Type RF
Flush for Drywall



Flanged
Appearance

Type R
For 1" T-bar



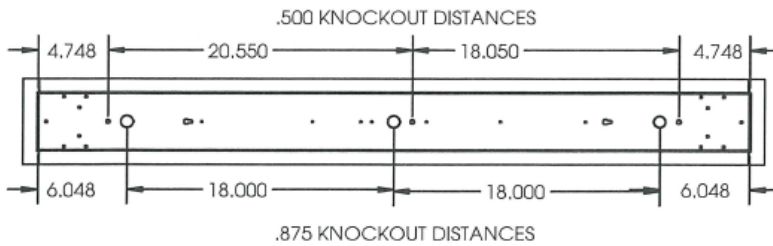
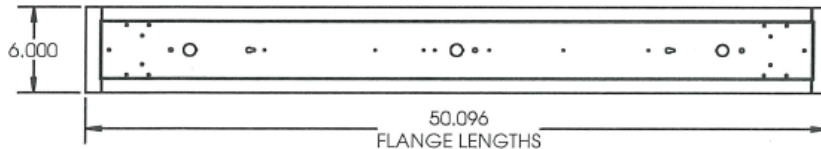
Flangeless
Appearance

Type RWW/RFWW/RRWW
-Recess Wall Wash



Flanged/
Flangeless
Appearance

4FT-RR Dimensions



Dimensions and specifications subject to change without notice.





JOB NAME:

CAT#:

TYPE:

ORDERING

EXAMPLE: L44R 48 LED 24 DMV WH MW 30 EM SS H4W P11

LED

1. SERIES	2. LENGTH	3. GEAR	4. WATTAGE/LUMENS	5. DRIVER	6. FINISH	7. LENS
L44R Recessed	48 48" long	LED	4 ft & 8 ft.	DMV 120-277V Multivolt	WH Matte White	MW Matte White lens (std) .100 thick lens
L44RF Recessed Flange	96 96" long		24 24W 2400 Lumens	0-10V Dimmable	SL Silver	S.5 Specular Parabolic Louver (1/2"x1/2"x3/8")
L44RR Recessed Flangeless Appearance			48 48W 4800 Lumens	SDMV Step dimming Multivolt	BK Matte Black	
L44S Surface Mount			57 57W 5400 Lumens	LUT Lutron Driver1	BZ Bronze	SF Snap-in Frosted Lens -85% Transmission
L44W Wall Mount			8 ft. only		IN Iron	LV Baffled Louver
L44P Pendant Mount			97 97W 9600 Lumens			
			114 114W 10800 Lumens			

8. COLOR TEMP	9. REFLECTOR(O) ²	10. EMERGENCY(O) ²	11. SENSOR(O) ²	12. HANGING KIT(O) ²
30 3000K	Blank Standard	EM Emergency Battery Pack 10W ~ 1700 lumens	SS Integral Occupancy Sensor	H4W Cable kit with 4' cable + power feed cable incl. w/ white canopy
35 3500K	WW Wall Wash	EM5 Emergency Battery Pack 5W ~ 850 Lumens	SNS200 ALC Qualified	H4W5 Cable kit with 4' cable + power feed 0-10V dimming cable included w/ white canopy (5 wire)
40 4000K				H4W6 Cable kit with 4' cable + power feed 0-10V dimming and EM cable incl. w/ white canopy (6 wire) (check local codes)
50 5000K				H12W Cable kit w/ 12' cable + power feed cable incl.w/ white canopy
				H12W5 Cable kit w/ 12' cable + power feed 0-10V dimming. Cable included with white canopy (5 wire)

13. PLUG IN(O) ²	14. CONFIGURATION
P11 3 wire harness, including white, black and green	BLANK Individual
P12 4 wire harness, including white, black, green and blue for emergency backup	-B Beginner Run
P13D 5 wire harness, including white, black, green, violet and gray	-E Ender Run
	-J Joiner

Notes:

*See Lutron Chart for Driver & Controls Options

Dimensions and specifications subject to change without notice.





JOB NAME:

CAT#:

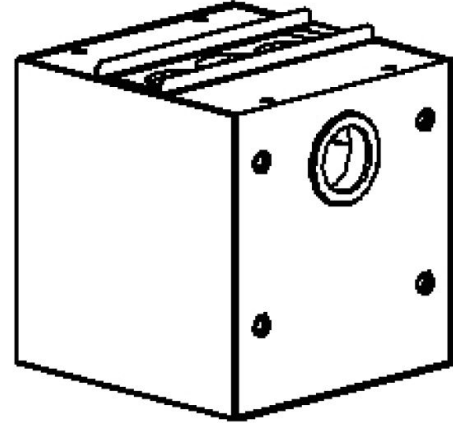
TYPE:

L44 JOINER BOX

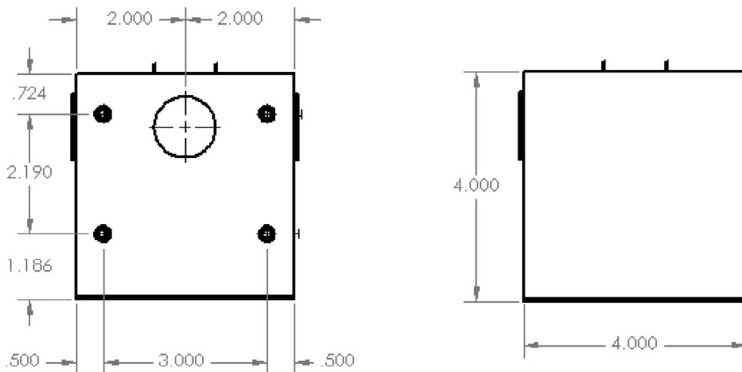
The L44 joiner box provides a sleek and modern solution for joining multiple linear fixtures to produce a visually appealing and continuous run. Easily create custom runs featuring 90° turns as well as “X” and “T” patterns. The joiner box is available in the same colors as the linear fixtures for the perfect match and finish.

FEATURES AND BENEFITS

- Joiner box can be pendant hung by stem or cable
- Available in 1 way, 2 way, 3 way, and 4 way options
- Seamless design that is both fashionable and functional
- Formed and welded 22-gauge cold rolled steel
- Internal press in nuts creates ease in joining assembly
- Grommeted wire ways protect wiring



DIMENSIONS



ORDERING

EXAMPLE: L44_JB -1WAY P WH A-HC301WH

1. SERIES	2. CONFIGURATION	3. HK	4. FINISH	5. OPTIONS
L44_JB	-1WAY -2WAY 90° -2WAY 180° -3WAY -4WAY	P Power NP Non-Power	WH White BK Black SL Silver IN Iron BZ Bronze	A-HC301WH Cable kit with 4' cable + power feed cable included with white canopy A-HC301WH5W Cable kit with 4' cable + power feed 0-10Vdimming cable included with white canopy (5 wire) A-HC302WH Cable kit with 12' cable + power feed cable included with white canopy A-HC302WH5W Cable kit with 12' cable + power feed 0-10Vdimming cable included with white canopy (5 wire)

Dimensions and specifications subject to change without notice.