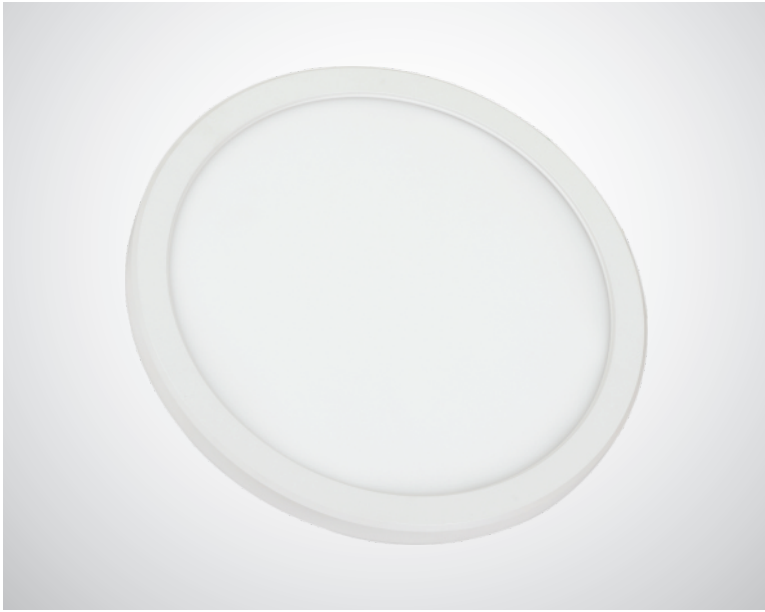




LED Surface Mount Downlight - SMD Series



Application: Ideal for residential place, office, hallways, utility room and commercial place such as hotel rooms.

Product Description

This integrated LED surface mount down light is a ultra-thin sleek fixture with smooth white trim. It can be installed directly to most round or octagon junction boxes. Designed for commercial or residential use. CCT can be adjusted on field to suit different environment needs.

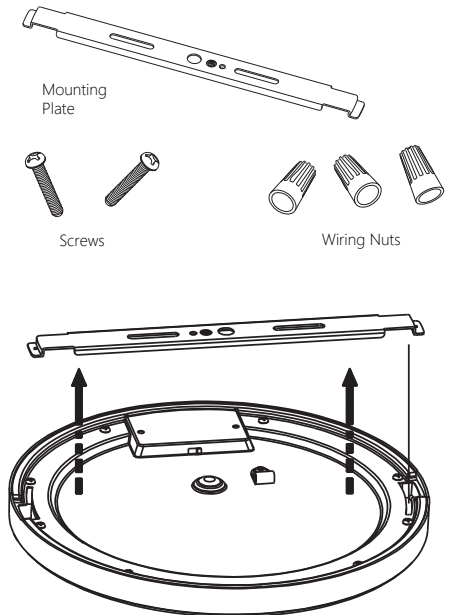
Certifications



SPECIFICATIONS

Model No.	HY-SMD-R5-10W-3CCT	HY-SMD-R7-15W-3CCT	HY-SMD-R9-18W-3CCT	HY-SMD-R12-24W-3CCT
Wattage	10W	15W	18W	24W
Lumens	650LM	1050 LM	1250LM	1800LM
Size	5"	7"	9"	12"
Rated Input Voltage(V)	120 V 60Hz AC			
CCT	3CCT Selectable: 3000K-4000K-5000K			
Dimming	Triac dimming			
CRI	≥80			
Beam Angle (°)	120°			
Protection Rtaing	IP20 (For Indoor Use Only)			
CF	0.9			
Color Rendering Index	CRI>80			
Life Span	Lumen Maintenance over 70% @ 50,000+ Hours			
Working Temperature	- 4°F ~+105°F / -15°C ~+40°C			
Finish	White			
Certificate	ETL/Energy Star			
Package Info	18.5"X6.1"X12.8"	22.8"X6.1"X15.8"	18.9"X11.4"X9.8"	12.8"X11.4"X13"
PC/ Master Pack	30	30	20	10
Weight	18.1 LB	26.9 LB	25.8 LB	22.3 LB

Accessories inside the box

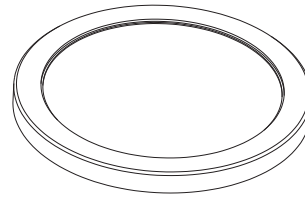
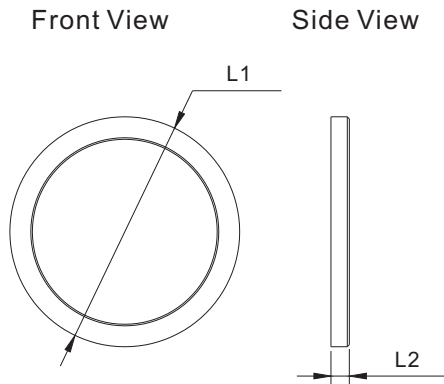


ORDERING CODE DEFINITION

EXAMPLE: HY-SMD-R5-10W-3CCT

Company Code	Product	Size	H	CCT
HY	SMD- Surface Mount Downlight	R5: Round 5"	10W	3CCT: 3CCT Selectable: 3000K-4000K-5000K
		R7: Round 7"	15W	
		R9: Round 9"	18W	
		R12: Round 12"	24W	

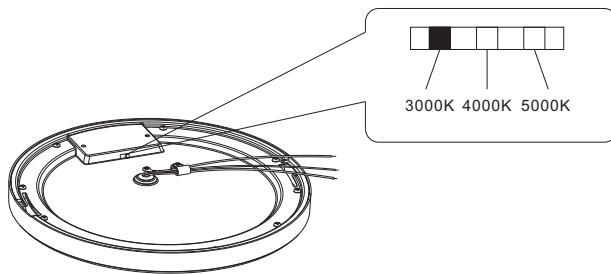
PRODUCT DIMENSION



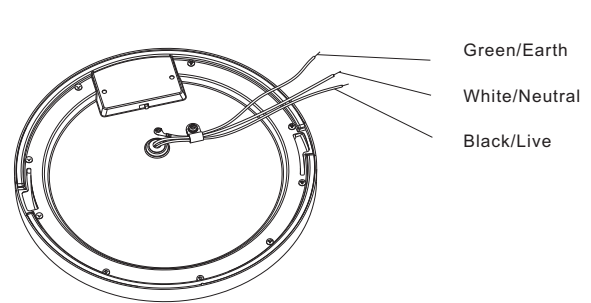
Model No.	HY-SMD-R5-9W-3CCT	HY-SMD-R7-12W-3CCT	HY-SMD-R9-18W-3CCT	HY-SMD-R12-24W-3CCT
Size				
L1	Φ 140mm/Φ 5.51"	Φ 180mm/Φ 7.09"	Φ 225mm/Φ 8.86"	Φ 305mm/Φ 12.01"
L2	18mm/0.71"	18mm/0.71"	18mm/0.71"	18mm/0.71"

OPERATING GUIDE

1 CCT Adjustable

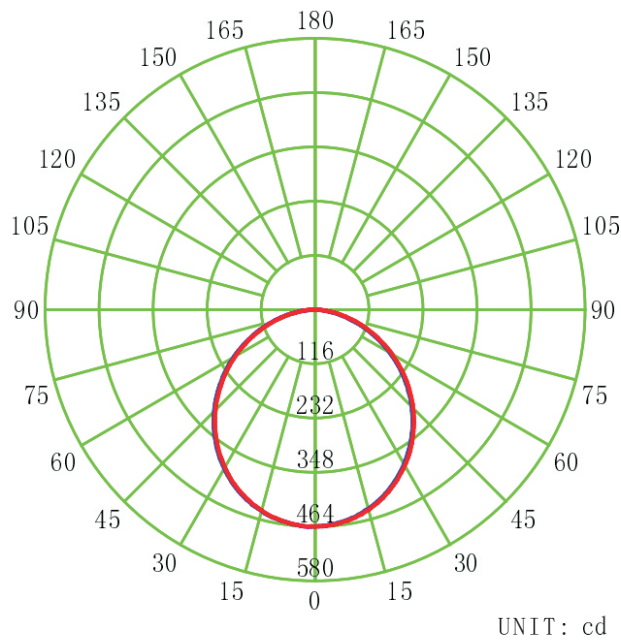


2 Wiring Guide



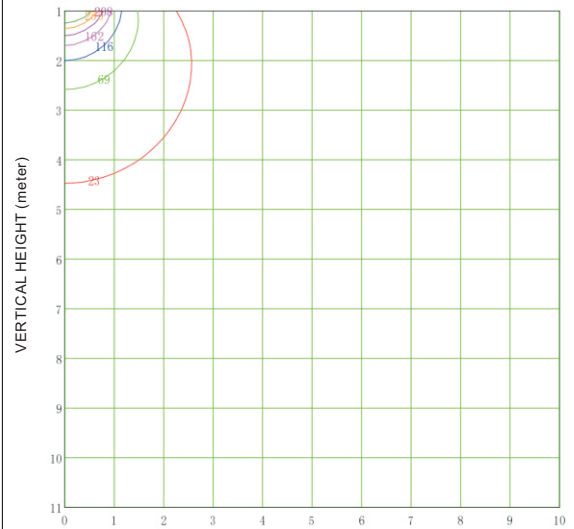
PHOTOMETRIC REPORT

LUMINOUS INTENSITY DISTRIBUTION DIAGRAM



— C0-C180 — C90-C270

VERTICAL EQUILUMINOUS CURVE



HORIZONTAL DISTANCE (meter)

MINIMUM ALTITUDE 1.0 M
MAXIMUM ALTITUDE 11.0 M
MAXIMUM ILLUMINATION 463.3 lx

— (5%): 23.2 lx — (15%): 69.5 lx
— (25%): 115.8 lx — (35%): 162.1 lx
— (45%): 208.5 lx — (55%): 254.8 lx
— (65%): 301.1 lx