

**LED-ARFK 4", 6", 8", 9" & 12" LED ARCHITECTURAL RETROFIT-KIT INSTALLATION INSTRUCTIONS**

**WARNING**

1. Risk of Fire - Supply conductors (power wires) connecting the fixture must be rated minimum 90°C. If uncertain consult an electrician.
2. Risk of Electric Shock - Disconnect power at fuse or circuit breaker before installing or servicing.
3. Risk of Fire/Electric Shock - If not qualified, consult an electrician.

**CAUTIONS :**

1. For your safety read and understand instructions completely before starting installation.
2. These luminaires (fixtures) are designed to meet the latest NEC requirements and are listed in full compliance with UL 1598.
3. Before attempting installation, check your local electrical code, as it sets the wiring standards for your locality.

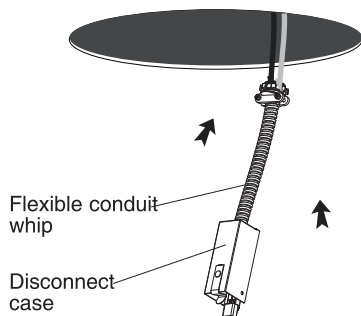
**NOTES:**

1. If luminaire (fixture) is to be switched from a wall switch, make sure black power supply wire is connected to the switch. **DO NOT** connect the white supply wire to the switch.
2. Make certain no bare wires are exposed outside the wire nut connectors.

**Installation Into Recessed housing**

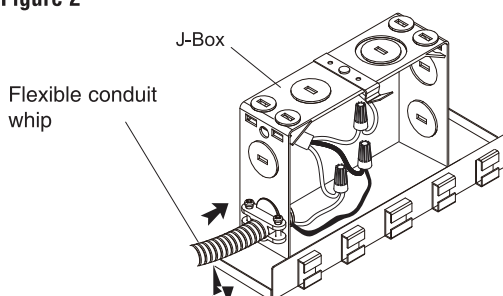
1. Turn power off at fuse or circuit breaker box.
2. Remove existing lamp and trim/reflector.
3. Remove the j-box box cover from existing frame housing.
4. Disconnect wiring to existing insulation detector or wiring to existing socket housing/ballast to remove from electrical circuit.
5. Flexible conduit whip into j-box in ceiling. (Fig. 1)

**Figure 1**

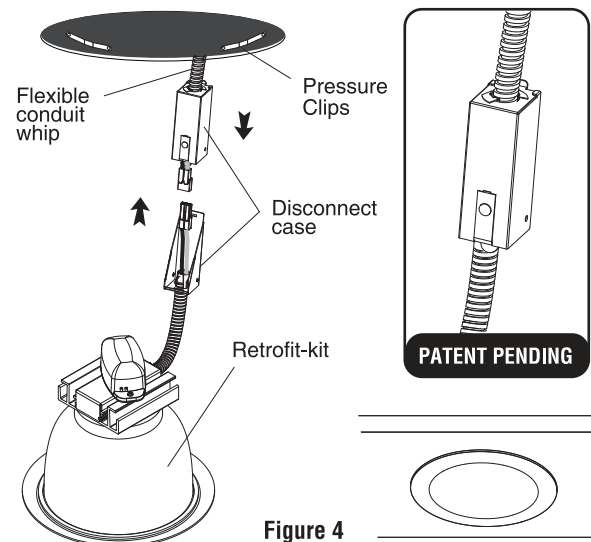


6. Remove appropriate round knockout and connect metallic cable included with the flexible conduit whip to j-box with proper connector(s). (Fig. 2)
7. Connect supply wires. Connect white to white; black to black. Be sure no bare current carrying wire is exposed. (Fig. 2)
8. Place wires and connections back in j-box and replace cover.
9. Plug the female connector of the retrofit-kit onto the male connector of the flexible conduit whip assembly. (Fig. 3)
- Note : TURN OFF POWER BEFORE CONNECTING**
10. Connect disconnect case (Patent pending) by snap-on fit.
11. Tuck flexible conduit whip into to the housing and carefully push the retrofit-kit into existing housing. (Fig. 4)

**Figure 2**



**Figure 3**



**Figure 4**

**Housing Compatibility**

**ARFK4 ETL Classified for retrofit in the following 4" housings;**

<b>Lum-tech</b>	FH-VC4, FH-VA4, FH-VAR4, FH-HC4, FH-HA4, IH-VF4100/VA4100, IH-VAR4100, MH-VF4/VA4/VAR4
<b>Lighthouse</b>	S4118VU

**ARFK6 ETL Classified for retrofit in the following 6" housings;**

<b>Lum-tech</b>	FH-VC6, FH-VA6, FH-VAR6, FH-HC6, FH-HA6, FH-HAR6 IH-VF6150/VA6150, IH-VAR6150/HA6150/HAR6150 MH-VF6/VA6/VAR6, MH-HF6/HA6/HAR6
<b>Halo</b>	PD6V142E, PD6V120, PD6V501E, PD6V701E, PD6V1001E
<b>Juno</b>	CV6-118T, CV6-126Q, CV6-126/32T, TC906, MX6-XX, M6-XX
<b>Lithonia</b>	LP6F, CCR62, LP6H, LP6

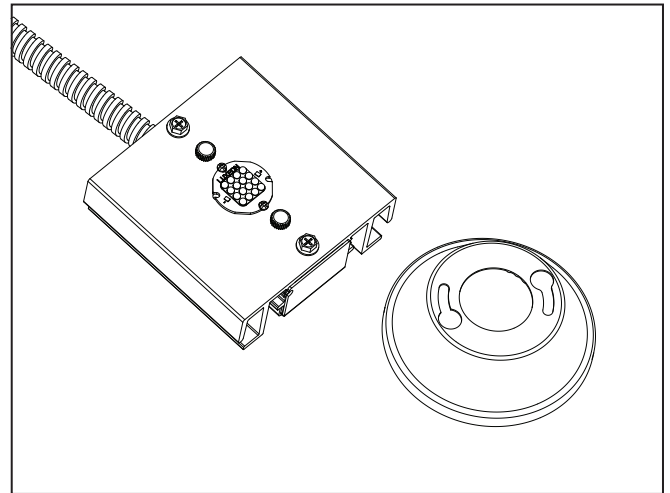
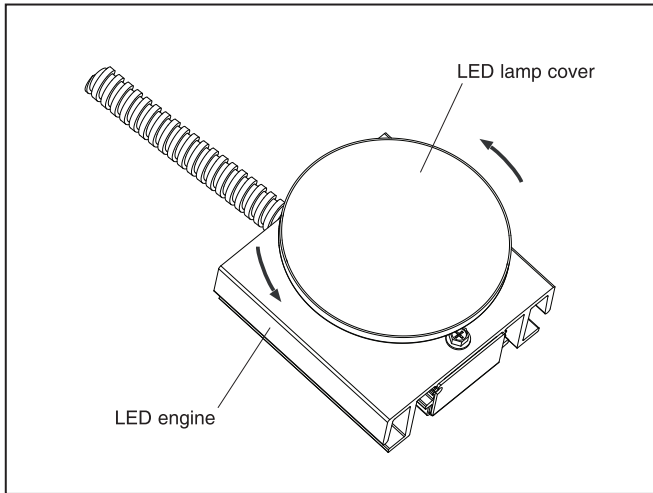
**ARFK8 ETL Classified for retrofit in the following 8" housings**

<b>Lum-tech</b>	FH-VC8, FH-VA8, FH-VAR8, FH-HC8, FH-HA8, FH-HAR8 IH-VF8300/VA8300/VAR8300/HF8300/HA8300/HAR8300 MH-VF8, MH-VA8, MH-VAR8, MH-(HF8, HA8, HAR8)
<b>Halo</b>	PD7V142E, PD7V120, PD7V501E, PD7V701E, PD7V1001E, PD7V70XIE, PD7V100X1E
<b>Juno</b>	CV8-126/32/42T, TC908, MX8-(70,100), M8-(70,100)
<b>Lithonia</b>	LP8F, CCR82, LP8H, LP8

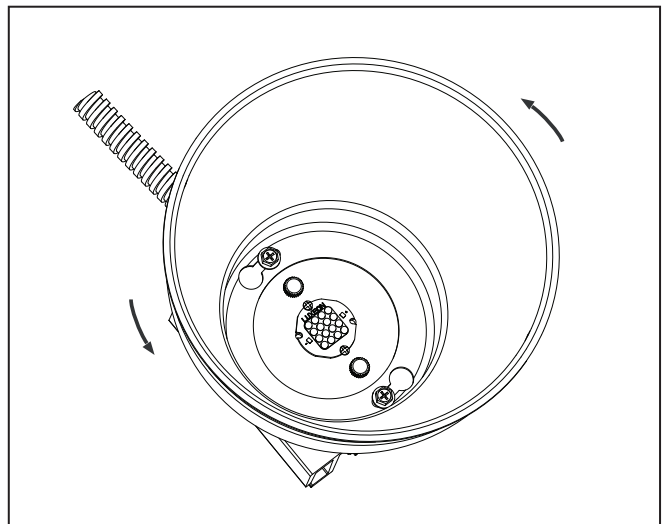
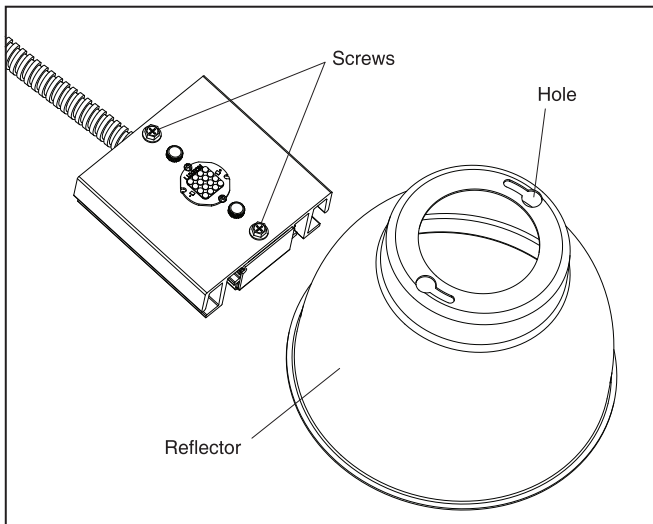
**ARFK9 ETL Classified for retrofit in the following 9" housings**

<b>Lum-tech</b>	FH-VC9, FH-VA9, FH-VAR9, FH-HC9, FH-HA9, FH-HAR9 IH-VF9300/VA9300/VAR9300/HF9300/HA9300/HAR9300 MH-VF9, MH-VA9, MH-VAR9, MH-(HF9, HA9, HAR9)
<b>Cooper</b>	MD9E, H6004T, C9170, C9157, C9142, C9242, C9257
<b>Elite</b>	HV10PL, HH10PL
<b>Prescolite</b>	LFHL 9" Round
<b>Liton</b>	LVH9132, LVH9141, LVH9157, LVH9170, LHM9070ADVE, LHM9100ADVE, LHM9070, LHM9100, LHM9150, LHM9175, LHM9250

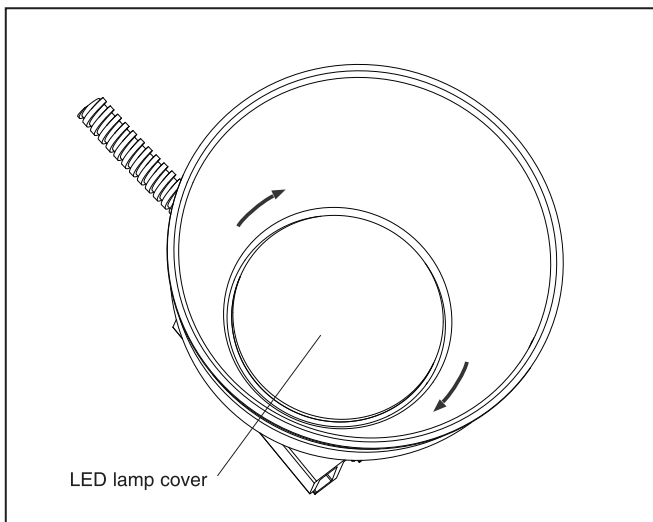
**INSTRUCTIONS FOR ASSEMBLING REFLECTOR AND LED ENGINE**



1. Remove LED lamp cover by gently twisting until it is able to detach from LED engine.



2. Assemble reflector by placing holes over attached screws, turn until locked and tighten if necessary on the LED engine.



3. Reattach the lamp cover by placing screws over the holes and twist until it is secure.

**Wiring Diagram (For 0-10V)**

