

LEDCPY LED Canopy Light



Project:	
Type:	
Catalog #:	

STANDARD



The LEDCPY canopy light is designed to illuminate gas stations, parking garages, storage areas, stairwells, and other applications requiring a low-profile luminaire that can be surface-mounted. With a painted steel housing and an aluminum heat sink, the LEDCPY is an attractive, rugged solution. High-efficacy, long-life LEDs provide both energy and maintenance cost savings compared to traditional canopy lights with HID, fluorescent or incandescent lamps.

FEATURES

- Available in 5000k (cool white) color temperatures.*
- Long-life LEDs provide 58,000 hours of operation with at least 70% of initial lumen output (L₇₀).**
- Delivers 11,963 lumens and 100 lumens per watt.*
- Universal 100-277 AC voltage (50-60Hz) is standard.
- Power factor > 0.90.
- Total harmonic distortion < 20%.
- Color rendering index > 80.
- Painted steel housing with aluminum heat sink.
- Easy installation in new construction or retrofit.

* Contact factory for other color temperatures and lumen packages.

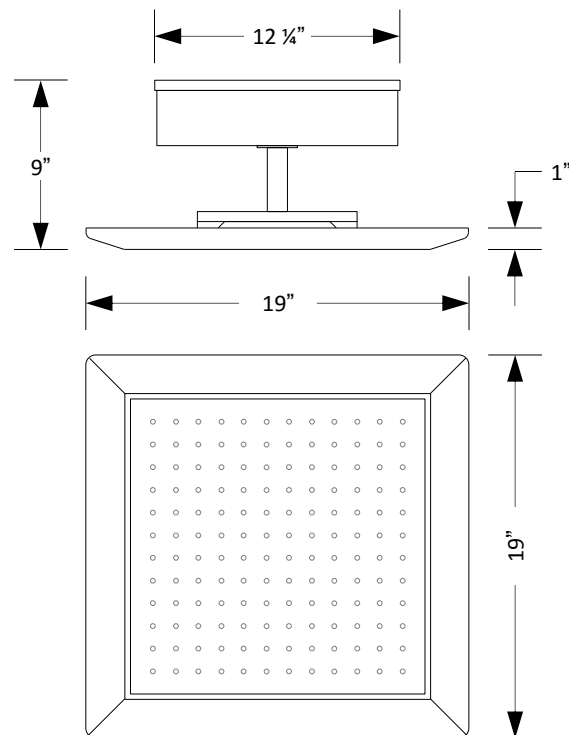
** L₇₀ hours are IES TM-21-11 calculated hours.



WARRANTY & LISTINGS

- cULus listed for wet locations (-20°C to 40°C / -4°F to 104°F).
- DLC approved.
- 5-year warranty on all electronics and housing.

DIMENSIONS



ORDERING INFORMATION

Model	Luminaire Watts	Luminaire Lumens	Lumens Per Watt	Color Temperature
LEDCPYSM120W-5K	120	11,963	100	5K = 5000k

ELECTRICAL

Model	Color Temperature	CRI ¹	Luminaire Lumens	Luminaire Watts	Lumens Per Watt	Input Voltage	Input Current (A)			Power Factor	THD ²	L ₇₀ Hours ³
							120V	240V	277V			
LEDPCYSM120W-5K	5000k	> 80	11,963	120	100	120-277 (50-60Hz)	1.00	0.50	0.43	> 90%	< 20%	58,000

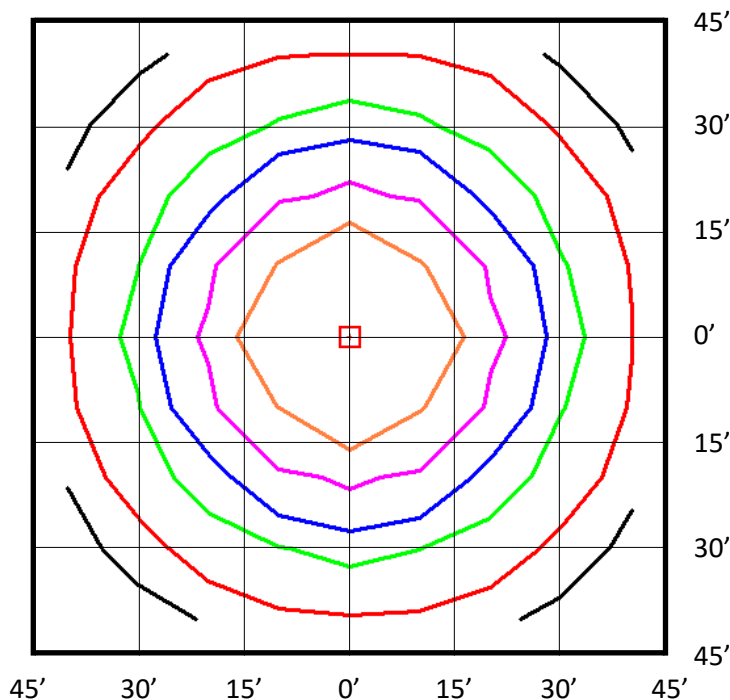
¹ Color rendering index

² Total harmonic distortion

³ L₇₀ refers to the number of hours at which lumen output declines to 70% of the initial level. L₇₀ hours are IES TM-21-11 calculated hours.

PHOTOMETRIC DATA

LEDPCYSM120W-5K (11,963 Lumens)



BUG Rating: B3-U1-G1

Zone	Lumens	%
FL - Front - Low (0-30)	1,700	14%
FM - Front - Medium (30-60)	3,274	27%
FH - Front - High (60-80)	1,061	9%
FVH - Front - Very High (80-90)	40	0%
Total Forward Light	6,075	51%
BL - Back - Low (0-30)	1,683	14%
BM - Back - Medium (30-60)	3,184	27%
BH - Back - High (60-80)	980	8%
BVH - Back - Very High (80-90)	29	0%
Total Back Light	5,876	49%
UL - Up Light - Low (90-100)	0	0%
UH - Up Light - High (100-180)	13	0%
Total Up Light	13	0%
Total Lumens	11,963	100%

Foot Candles



Notes:

- Isofootcandle plots depict initial footcandles at grade.
- Gridlines represent units of mounting height of 15 feet.