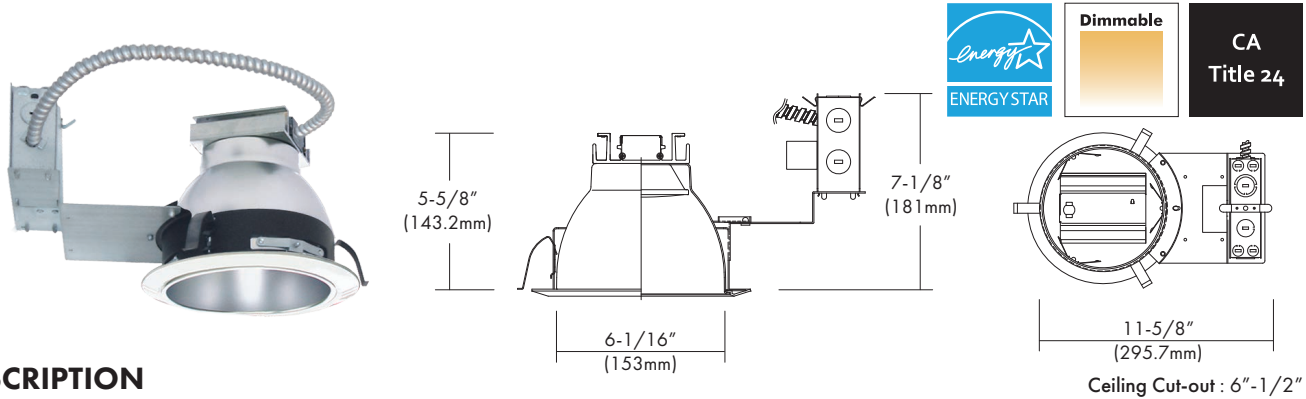


LEDH-RFK6

120V-277VAC LED 6", Non-IC, Remodel Frame-in Kit
Down Light with interchangeable Reflector Trims

Catalog #		Type
Project		Date
Prepared by		

6" LED Remodel Frame-in Kit



DESCRIPTION

The LEDH-RFK6 is a 6" LED, Non-IC Remodel Frame-in kit and is available with multiple Trim styles. Designed for use in non-insulated ceilings, Insulation material must be kept a minimum of 3" from fixture. Available with a 14W, 23W, 30W or 45W high efficacy LED engine and universal, dimmable drivers. The special optical diffuser produces high lumen transmission and even illumination. Suitable for Wet Locations.

DESIGN FEATURES

LED Module & Trim

- Painted, extruded aluminum heat sink designed to facilitate efficient heat dissipation for superior thermal management and reliability.
- LED engine includes LED, heat sink and lens assembly.
- Heavy gauge aluminum reflector anodized in clear haze or white paint finishes. Multiple trim styles and finishes are available.

LED Driver

- Universal, 120~277V input, high efficacy drivers with dimming capability by ① a Triac 120V low voltage electronic dimmer switches or ② 0-10V, Triac & ELV dimmer switches.
- Drivers feature power factor >.90, THD <20% with integral thermal protection to sense over temperature or electrical issues.
- Driver mounts externally to the module to allow future replacement or upgrading if desired.
- Optional Lutron Hi-lume A-Series, LED drivers and EcoSystem 5-Series LED drivers are available. Lutron drivers provide flicker-free, smooth, continuous dimming down to 1% for Hi-lume and 5% for EcoSystem. (Contact factory for dimming system requirements)

Remodel Clips

- 3 remodel clips secure housing into the ceiling and accommodates 1/2" and 5/8" ceiling materials.

Junction Box

- Listed for through branch circuit wiring. (Max.8 No 12 AWG 90°C branch circuit conductors: 4 in, 4 out)
- (5) 1/2" knockouts with pry-out slots and (4) knockouts with Romex cable clamps.
- Ground wire provided on J-box.

Options

- Emergency battery back-up : Available in mounted to fixture or remote, adjacent to luminaire (consult with factory for space requirements).

Limited Warranty

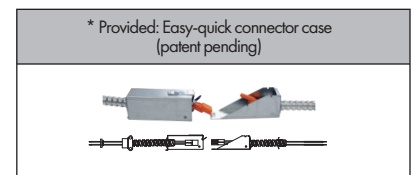
- LED Module: 5 years/50K hours
- Product/Driver: 3 years

Listing

- cETLus Wet Location
- ENERGY STAR
- California Title 24

SPECIFICATION				
Input Voltage	120-277VAC			
Wattage (+/-5%)	14W	23W	30W	45W
Lumen (+/-5%)	950	1,790	2,235	3,220
Efficacy (LPW)	67.9	77.8	74.5	71.5
Beam Angle	75°	75.5°	77°	76.2°
CRI (Typical)	80, 90			
CCT (Color +/-5%)	2700K, 3000K, 3500K, 4000K			
Dimming	0-10V, ELV & TRIAC Optional Lutron Drivers			
LED Module	5 yr/50K hr			
Environment	Wet Location			

Triac Approved Dimmers
* Lutron: NovaT (Ntelv 300 & 600) Diva (Dvelv-300P&303P)
* Leviton: Acenti: Ate06-1Lw
* Leviton Trimatron #705W (incandescent)
0-10V Approved Dimmers
* Lutron: Nova® 0-10V : NTFTV Diva® 0-10V : DDTV
* Leviton: Decora 0-10V : IP710DL
Consult tech. service or factory for additional dimmers



6" LED Remodel Frame-in Kit

HOUSING COMPATIBILITY for the LEDH-RFK6 RETROKIT ONLY

LEDH-RFK6 ETL Listed for installation in the following Lumtech standard architectural housings;

- 6" : FH-VC6, FH-VA6, FH-VAR6, FH-HC6, FH-HA6, FH-HAR6, IH-VF6150, IH-VA6150, IH-VAR6150, IH-HA6150, IH-HAR6150, MH-VF6, MH-VA6, MH-VAR6, MH-HF6, MH-HA6, MH-HAR6

LEDH-RFK6 ETL Listed for retrokit in the following 6" architectural housing;

- **Halo** : PD6V142E, PD6V120, PD6V501E, PD6V701E, PD6V1001E
- **Juno** : CV6-118T, CV6-126Q, CV6-126/32T, TC906, MX6-(50,70,100), M6-(70,100)
- **Lithonia** : LP6F, CCR62, LP6H, LP6, LV

TRIM

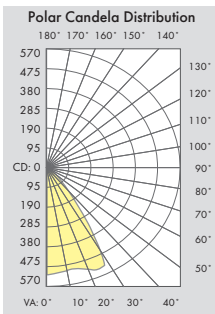
* Wide beam reflector is standard. Also available narrow beam in reflector(consult with factory).



* All trims are rated for damp location and regressed lens trims are wet location listed.

PHOTOMETRIC REPORT

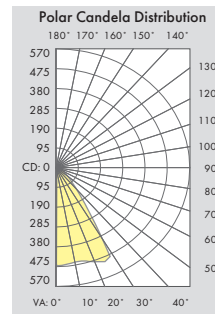
* Contact Factory for IES File



Illuminance at a Distance	
Center Beam FC	Beam Width
2.0ft	138.2 fc
4.0ft	34.6 fc
6.0ft	15.4 fc
8.0ft	8.6 fc
10.0ft	5.5 fc
12.0ft	3.8 fc

Beam Spread: 75°

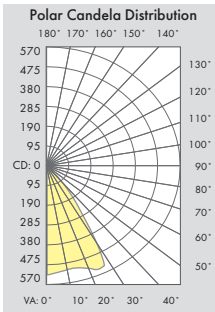
[LEDH-RFK6-14-830+LEDT-R64]



Illuminance at a Distance	
Center Beam FC	Beam Width
2.0ft	244.2 fc
4.0ft	61.0 fc
6.0ft	27.1 fc
8.0ft	15.3 fc
10.0ft	9.8 fc
12.0ft	6.8 fc

Beam Spread: 75°

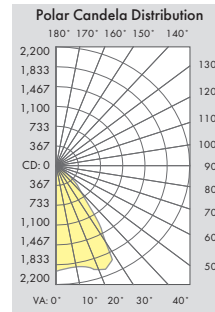
[LEDH-RFK6-23-830+LEDT-R64]



Illuminance at a Distance	
Center Beam FC	Beam Width
2.0ft	316.1 fc
4.0ft	79.0 fc
6.0ft	35.1 fc
8.0ft	19.8 fc
10.0ft	12.6 fc
12.0ft	8.8 fc

Beam Spread: 75°

[LEDH-RFK6-30-830+LEDT-R64]



Illuminance at a Distance	
Center Beam FC	Beam Width
2.0ft	485.7 fc
4.0ft	121.4 fc
6.0ft	54.0 fc
8.0ft	30.4 fc
10.0ft	19.4 fc
12.0ft	13.5 fc

Beam Spread: 76.2°

[LEDH-RFK6-45-830+LEDT-R64]

Ordering Information

Model	-Watts	-CRI	Color Temp.**	Driver*	Trim	-Reflector Finish**	Baffle Finish for LEDT-R614 & R641	Optional Metal Trim Ring Finish
LEDH-RFK6 = 6", Non-IC, Remodel Frame-in Down Light Kit	-14 = 14W -23 = 23W -30 = 30W -45 = 45W	-8 = 80 -9 = 90	27 = 2700K 30 = 3000K 35 = 3500K 40 = 4000K	UTD = 120-277VAC, Triac: 10-100% Dimming (14, 23 & 30W only) UZTD = 120-277V, 0-10V, Triac & ELV: 1-100% Dimming LTD = Lutron Hi-lume 1% Dimming LSD = Lutron EcoSystem 5% Dimming *- Option -EM = Emergency battery backup	LEDT-R64 LEDT-R614 LEDT-R641 LEDT-R622 LEDT-R636 LEDT-R640	-HC = Haze Clear -WH = White Painted	-WH = White -BK = Black	-WH = White Plastic Trim Ring (Standard) -WMR = White Metal Ring -SN = Satin Nickel -CH = Chrome -SF = Polished Self-Flange (for Open or Wall Wash Reflectors ONLY)

Example : LEDH-RFK6-14-830UTD

LEDT-R64-HC-WH

** Consult factory for other Color Temperatures and Finishes