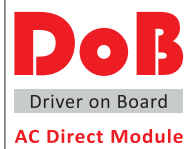


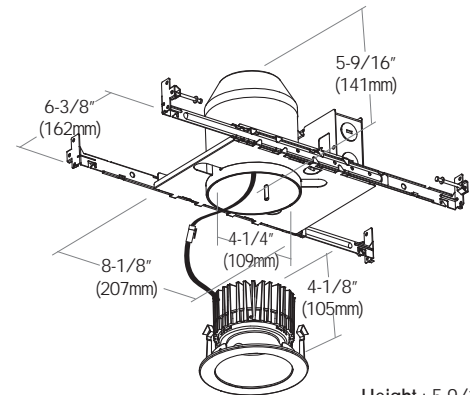
LEDH-RT4ICA

120VAC LED DoB 4" IC/AIR-TIGHT
Recessed Down Light for New Construction



Catalog #		Type
Project		Date
Prepared by		

4" LED



Height : 5-9/16"
Housing Aperture : 4-1/4"
Ceiling Cut-out : 4-3/8"

DESCRIPTION

The LEDH-RT4ICA housing is designed for use with a separate LED Trim Module that is integrated with heat sink and is available with three trim styles. This New Construction fixture offers easy and fast installation using a disconnect device and is held securely in the housing with two friction blade brackets. The LED DoB 120VAC Direct module is available in a 10W engine with integral triac dimming and can be controlled with most of leading and trailing edge dimmer switches. This luminaire is listed as Type IC and is suitable for direct contact with insulation. Suitable for Wet Locations.

DESIGN FEATURES

Housing

- Single wall aluminum housing gasketed for IC/Air-Tight ratings in insulated ceilings.
- Housing can be adjusted for ceiling thicknesses up to 1-1/4"

LED Module & Trim

- Two-piece interchangeable trim to reflector or baffle.
- Module construction includes LED, heat sink, lens, and trim.
- White paint finish standard.

Junction Box

- Listed for through branch circuit wiring (Max.8, 12 AWG, 90° C wire).
- (5) 1/2" knockouts with pry-out slots and (4) knockouts with Romex cable clamps.
- Ground wire provided on J-box.
- Provided with listed quick connectors for easy wiring.

Bar Hangers

- 24" Bar Hangers provide stability and support on joists and T-Bar Grid ceilings.
- Housing can be positioned at any point within 24" joist spacing.
- Score lines allow easy "bend & snap-off" shortening for 12" joist spacing.

Lens

- High Impact Thermal plastic.
- Translucent, high lumen transmission and diffusing for even illumination.

LED Engine

- Aluminum Heat Sink computer designed in conjunction with an aluminum clad PC board for superior thermal management.
- Lumen Maintenance: L70, 70% lumens of initial output @ 50,000 hours.

Electrical Connection;

- Provided with quick connector between LED module and housing for easy plug and play installation.
- 120VAC Direct DoB Driver on Board with customized IC chip.
- 10-100% triac dimmable with most of leading and trailing edge incandescent & low voltage dimmer switches.
- Advanced driver circuit design (Pat. Pending) prevents damage to the LED module and switch from common inrush currents.
- Recommended for a maximum 45 fixtures per run on a 600W max load per dimmer switch and a max. 23 fixtures per a dimmer switch for a 300W load.

Limited Warranty

- LED Module: 5 years/50K hours
- Product: 3 years

Listing

- cETLus Wet Location
- ENERGY STAR
- California Title 24

SPECIFICATION	
Input Voltage	120VAC
Wattage (+/-5%)	10W
Lumen (+/-5%)	670lm
Efficacy (LPW)	67lm/W
Beam Angle	27.8°
CRI (Typical)	80
CCT (Color +/-5%)	2700K, 3000K, 4000K
Dimming	Triac
LED Module	5 yr/50K hr
Environment	Wet Location

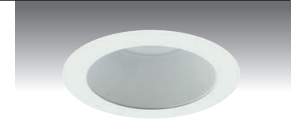
◦ Trailing Edge Dimmer	
- Lutron® Model Numbers :	
• Diva® DVCL Series	• Diva® DVLV Series
• Nova T® NT Series	• Glyder® GLV Series
• Ariadni® AYCL Series	• RadioRA 2® 10ND Series
• Skylark® SLV Series	• Skylark® SLV Series
• Skylark® Contour CTCL Series	
• Maestro Wireless MRF2-6ND Series	
• Lutron® Homeworks® RPM-4U	
• Lutron® Homeworks® OS HQRD-6ND Series	
• Lutron® Homeworks® OS HQRD-10ND Series	
- Leviton® Model Numbers :	
• SureSlide 6633	
◦ Leading Edge Dimmer	
- Lutron® Model Numbers :	
• Diva® DVELV Series	• Skylark® SELV Series
• Nova T® NTELV Series	• RadioRA RRD-6NA Series
• Maestro MAELV Series	• Maestro MRF2-6ELV Series
• Lutron® Grafik Eye PHPM-PA Series	
• Lutron® Homeworks® QS HQRD-6NA Series	
Consult tech. service or factory for additional dimmers	

4" LED

LEDT-C44

Reflector

-HC = Haze Clear
 -PR = Pewter
 -CP = Champagne
 -WH = White Painted
 O.D : 4-7/8"

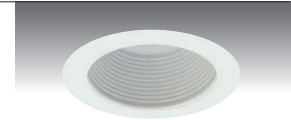


LEDT-C44-WH-WH

LEDT-C42

Baffle

-WH = White
 -BK = Black
 O.D : 4-7/8"

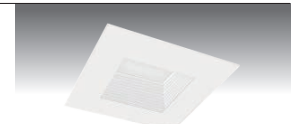


LEDT-C42-WH-WH

LEDQT-42

Square Diecast Baffle

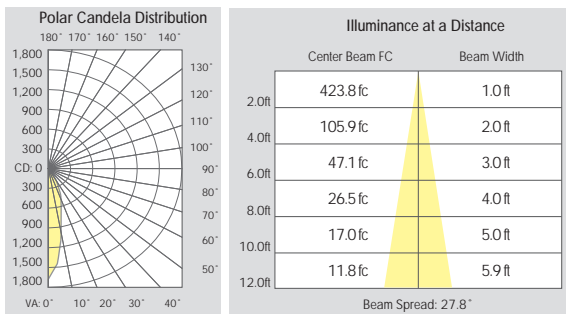
-WH = White
 Frame : 4-3/4" x 4-3/4"



LEDQT-42-WH

PHOTOMETRIC REPORT

* Contact Factory for IES File



[LEDH-RT4ICA(R)-10-827DOB+LEDT-C44-HC]

Ordering Information

Housing	Trim / Module	-Watts	-CRI / Color Temp.*	-Reflector Finish*	-Baffle Finish*	-Driver
LEDH-RT4ICA = 4" IC, New Construction	LEDT-C44 = Reflector	-10 = 10W	-827 = 80 CRI / 2700K	-HC = Haze Clear	-WH = White	-DOB = 120V Direct Driver on Board (dimable with most Line or Low Voltage Dimmers)
LEDH-RT4ICAR = 4" IC, Remodeling	LEDT-C42 = Baffle		-830 = 80 CRI / 3000K	-PR = Pewter	-BK = Black	
	LEDQT-42 = Square Diecast Baffle		-840 = 80 CRI / 4000K	-CP = Champagne -WH = White Painted		

Example : LEDH-RT4ICA

LEDT-C44-10-830-HC-DOB

* Consult factory for other Color Temperatures and Finishes