

# LEDH-RT4ICAR

120VAC LED DoB 4" IC/AIR-TIGHT  
Recessed Down Light for Remodeling

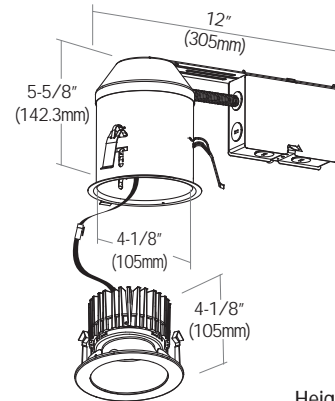


Catalog #		Type
Project		Date
Prepared by		

4" LED



CA  
Title 24



Height : 5-5/8"  
Ceiling Cut-out : 4-3/8"

## DESCRIPTION

The LEDH-RT4ICAR housing is designed for use with a separate LED Trim Module that is integrated with heat sink and is available with three trim styles. This Remodeling fixture offer easy and fast installation using a disconnect device and is held securely in the housing with two friction blade brackets. The LED DoB 120VAC Direct module is available in a 10W engine with integral triac dimming and can be controlled with most of leading and trailing edge dimmer switches. This luminaire is listed as Type IC and is suitable for direct contact with insulation. Suitable for Wet Locations.

## DESIGN FEATURES

### Housing

- Single wall aluminum housing gasketed for IC/Air-Tight ratings in insulated ceilings.
- 5-1/2" height allows use in 2"x 6" joist construction.

### LED Module & Trim

- Two-piece interchangeable trim for reflectors or baffles.
- Module construction includes LED, Heat Sink, Lens, Trims.
- White paint finish standard.

### Junction Box

- Listed for through branch circuit wiring (Max.8, 12 AWG, 90° C wire).
- (5) 1/2" knockouts with pry-out slots and (4) knockouts with Romex cable clamps.
- Ground wire provided on J-box.
- Provided with listed quick connectors for easy wiring.

### Remodel Clips

- 3 remodel clips secure housing and accommodates 1/2" and 5/8" thick ceiling materials.

### Lens

- High Impact Thermal plastic.
- Translucent, high lumen transmission and diffusing for even illumination.

### LED Engine

- Aluminum Heat Sink computer designed in conjunction with an aluminum clad PC board for superior thermal management.
- Lumen Maintenance: L70, 70% lumens of initial output @ 50,000 hours.

### Electrical Connection;

- Provided with quick connector between LED module and housing for easy plug and play installation.
- 120VAC Direct DoB Driver on Board with customized IC chip.
- 10-100% triac dimmable with most of leading and trailing edge incandescent & low voltage dimmer switches.
- Advanced driver circuit design (Pat. Pending) prevents damage to the LED module and switch from common inrush currents.
- Recommended for a maximum 45 fixtures per run on a 600W max load per dimmer switch and a max. 23 fixtures per a dimmer switch for a 300W load.

### Limited Warranty

- LED Module: 5 years/50K hours
- Product: 3 years

### Listing

- cETLus Wet Location
- ENERGY STAR
- California Title 24

SPECIFICATION	
Input Voltage	120VAC
Wattage (+/-5%)	10W
Lumen (+/-5%)	670lm
Efficacy (LPW)	67lm/W
Beam Angle	27.8°
CRI (Typical)	80
CCT (Color +/-5%)	2700K, 3000K, 4000K
Dimming	Triac
LED Module	5 yr/50K hr
Environment	Wet Location

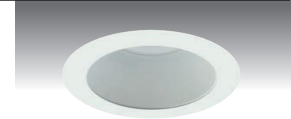
Trailing Edge Dimmer	
- Lutron® Model Numbers :	
• Diva® DVCL Series	• Diva® DVLV Series
• Nova T® NT Series	• Glyder® GLV Series
• Ariadni® AYCL Series	• RadioRA 2® 10ND Series
• Skylark® SLV Series	• Skylark® SLV Series
• Skylark® Contour CTCL Series	
• Maestro Wireless MRF2-6ND Series	
• Lutron® Homeworks® RPM-4U	
• Lutron® Homeworks® QS HQRD-6ND Series	
• Lutron® Homeworks® QS HQRD-10ND Series	
- Leviton® Model Numbers :	
• SureSlide 6633	
Leading Edge Dimmer	
- Lutron® Model Numbers :	
• Diva® DVELV Series	• Skylark® SELV Series
• Nova T® NTELV Series	• RadioRA RRD-6NA Series
• Maestro MAELV Series	• Maestro MRF2-6ELV Series
• Lutron® Grafik Eye PHPM-PA Series	
• Lutron® Homeworks® QS HQRD-6NA Series	
Consult tech. service or factory for additional dimmers	

## 4" LED

### LEDT-C44

#### Reflector

-HC = Haze Clear  
 -PR = Pewter  
 -CP = Champagne  
 -WH = White Painted  
 O.D : 4-7/8"

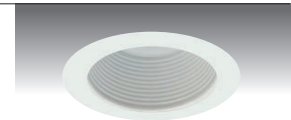


LEDT-C44-WH-WH

### LEDT-C42

#### Baffle

-WH = White  
 -BK = Black  
 O.D : 4-7/8"

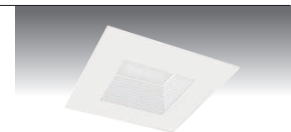


LEDT-C42-WH-WH

### LEDQT-42

#### Square Diecast Baffle

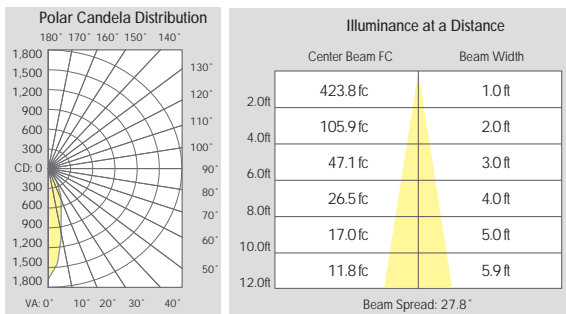
-WH = White  
 Frame : 4-3/4" x 4-3/4"



LEDQT-42-WH

## PHOTOMETRIC REPORT

\* Contact Factory for IES File



[LEDH-RT4ICA(R)-10-827DOB+LEDT-C44-HC]

## Ordering Information

Housing	Trim / Module	-Watts	-CRI / Color Temp.*	-Reflector Finish*	-Baffle Finish*	-Driver
LEDH-RT4ICA = 4" IC, New Construction	LEDT-C44 = Reflector	-10 = 10W	-827 = 80 CRI / 2700K	-HC = Haze Clear	-WH = White	-DOB = 120V Direct Driver on Board (dimable with most Line or Low Voltage Dimmers)
LEDH-RT4ICAR = 4" IC, Remodeling	LEDT-C42 = Baffle		-830 = 80 CRI / 3000K	-PR = Pewter	-BK = Black	
	LEDQT-42 = Square Diecast Baffle		-840 = 80 CRI / 4000K	-CP = Champagne -WH = White Painted		

Example : LEDH-RT4ICA

LEDT-C44-10-830-HC-DOB

\* Consult factory for other Color Temperatures and Finishes