

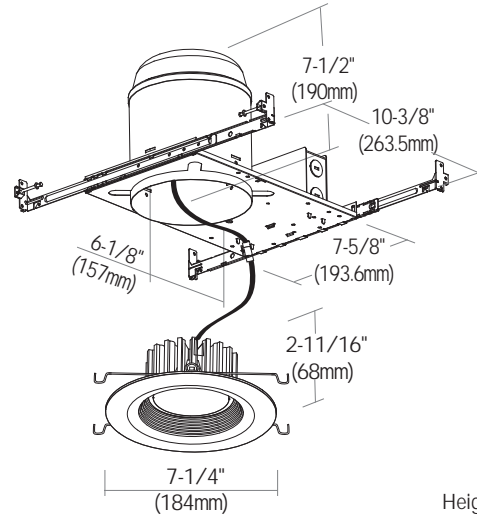
LEDH-RT56ICA

6" IC/AIR-TIGHT Recessed Down Light Housing for New Construction with Lum-Tech 120VAC LED DoB 56 and 6" Retrokits

Catalog #		Type
Project		Date
Prepared by		



[Shown with LED-AFR56 Retrokit]



Height : 7-1/2"
Housing Aperture : 6-1/8"
Ceiling Cut-out : 6-1/2"

DESCRIPTION

The LEDH-RT56ICA is a 6", IC/AIR TIGHT rated down light housing. This easy to install housing is designed for use in New Construction applications with insulated ceilings. The housing is designed to be used with Lum-Tech's 56 and 6" Retrokits and gives you a choice of seven versatile DOB kits for your projects.

DESIGN FEATURES

Housing

- Single wall aluminum housing gasketed for IC/Air-Tight ratings in insulated ceilings.
- Housing can be adjusted for ceiling thicknesses up to 1-1/4"

Junction Box

- Listed for through branch circuit wiring (Max.8, 12 AWG, 90° C wire).
- (5) 1/2" knockouts with pry-out slots and (4) knockouts with Romex cable clamps.
- Ground wire provided on J-box.
- Provided with listed ZE genderless quick connectors for easy wiring to Lum-Tech retrokits.

Compatible Lum-Tech LED DoB Retrokits

- LED-AFR56: 120VAC LED DoB 5" and 6" Recessed Diecast Retrokit
- LED-LFR56: 120VAC LED DoB 5" and 6" Recessed Retrokit
- LED-LFR6: 120VAC LED DoB 6" Recessed Retrokit
- LED-LFR6DC: 120VAC LED DoB 6" Recessed Diecast Retrokit
- LED-AFC6: 120VAC LED DoB 6" Recessed Retrokit with Interchangeable Trims
- LED-AF6E: 120VAC LED DoB 6" Recessed Eyeball Retrokit
- LED-LF6AD: 120VAC LED DoB 6" Recessed Gimbal Retrokit