

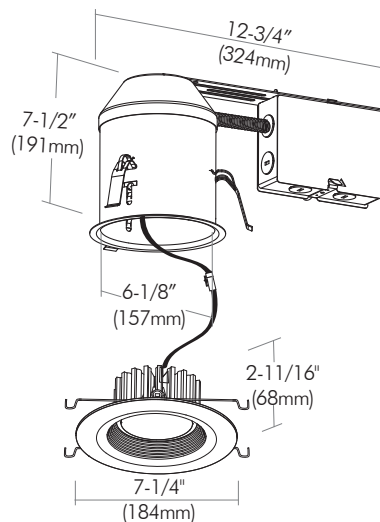
LEDH-RT56ICAR

6" IC/AIR-TIGHT Recessed Down Light Housing for Remodeling with Lum-Tech 120VAC LED DoB 56 and 6" Retrokits

Catalog #		Type
Project		Date
Prepared by		



[Shown with LED-APR56 Retrokit]



Height : 7-1/2"
Ceiling Cut-out : 6-1/2"

DESCRIPTION

The LEDH-RT56ICAR is a 6", IC/AIR TIGHT rated down light housing. This easy to install housing is designed for use in Remodeling applications with insulated ceilings. The housing is designed to be used with Lum-Tech's 56 and 6" Retrokits and gives you a choice of seven versatile DOB kits for your projects.

DESIGN FEATURES

Housing

- Single wall aluminum housing gasketed for IC/Air-Tight ratings in insulated ceilings.
- 7-1/2" height allows use in 2"x 8" joist construction.

Junction Box

- Listed for through branch circuit wiring (Max.8, 12 AWG, 90°C wire).
- (5) 1/2" knockouts with pry-out slots and (4) knockouts with Romex cable clamps.
- Ground wire provided on J-box.
- Provided with listed ZE quick connectors for easy wiring to Lum-Tech retrokits.

Compatible Lum-Tech LED DoB Retrokits

- LED-APR56: 120VAC LED DoB 5" and 6" Recessed Diecast Retrokit
- LED-LFR56: 120VAC LED DoB 5" and 6" Recessed Retrokit
- LED-LFR6: 120VAC LED DoB 6" Recessed Retrokit
- LED-LFR6DC: 120VAC LED DoB 6" Recessed Diecast Retrokit
- LED-AFC6: 120VAC LED DoB 6" Recessed Retrokit with Interchangeable Trims
- LED-AF6E: 120VAC LED DoB 6" Recessed Eyeball Retrokit
- LED-LF6AD: 120VAC LED DoB 6" Recessed Gimbal Retrokit