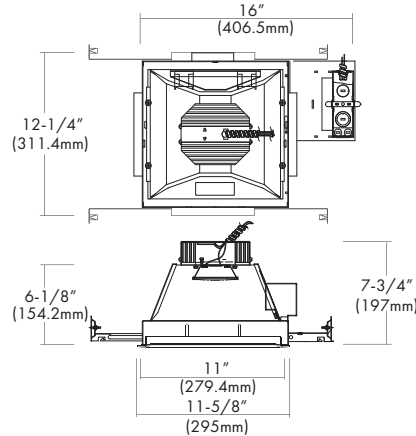


# LEDH-S11

120-277 VAC, 11" Square LED Recessed Downlights

Catalog #		Type
Project		Date
Prepared by		

## 11" LED-SQUARE



SPECIFICATION	
Input Voltage	120-277VAC
Wattage (+/-5%)	14 W 23W 30W 45W
Lumen (+/-5%)	785lm 1,290lm 1,682lm 2,523lm
CCT (Color +/-5%)	2700K, 3000K, 3500K, 4000K
Dimming	Triac/ELV, Triac/ELV/0-10V, or Lutron Dimming
LED Module	5 yr/50K hr
Environment	Wet Location

## DESCRIPTION

11" Square LED downlight with integral driver and LED module. It is designed for use in non-insulated ceilings or insulated ceilings. Insulation must be kept 3" away from all sides of the housing.

## DESIGN FEATURES

### Housing

- Galvanized steel housing, white painted.
- 5-15/16" height allows for use in 2" x 6" joist construction.
- Housing adjusts for ceilings up to 1-1/4" thick.

### Mounting Frame

- Galvanized steel construction.

### Junction Box

- Listed for through branch circuit wiring. (Max. 8 No 12 AWG 90°C branch circuit conductors. (4 in, 4 out))
- (5) 1/2" knockouts with true pry-out slots and (4) knockouts with Romex cable clamp.
- Ground wire provided on J-box.

### Bar Hangers

- Maximum extension by 24" allows excess distance between joists.
- Housing can be positioned at any point within 24" joist span.
- Score lines allow "toolless" shortening for 12" joists. Bar hangers may be repositioned 90 degrees.
- Integral T-bar clips snaps onto T-bars and no additional clips are required.

### LED Power Supply

- Universal, 120~277 VAC input, high efficiency dimming drivers with ① Triac/ELV dimmer switches or ② Triac/ELV/0-10V dimmer switches.
- Drivers feature power factor >.90, THD <20% with integral thermal protection to sense over temperature or electrical issues.
- Driver mounts externally to the module to allow future replacement or upgrading if desired.
- Optional Lutron Hi-lume A-Series, LED drivers and EcoSystem 5-Series LED drivers are available. Lutron drivers provide flicker-free, smooth, continuous dimming down to 1% for Hi-lume and 5% for EcoSystem. (Contact factory for dimming system requirements)

### Trim

- Steel white painted square trim with acrylic or glass lens.

### Listing

- ETL listed for wet location.

## Ordering Information

Housing	-Watts	Color Temp. *	Driver	Trim
LEDH-S11	-14 = 14W -23 = 23W -30 = 30W -45 = 45W	27 = 2700K 30 = 3000K 35 = 3500K 40 = 4000K	UTD = 120-277VAC, Triac/ELV Dimming (14, 23 & 30W only) UZTD = 120-277V, Triac/ELV/0-10V Dimming L1D = Lutron Hi-lume 1% Dimming L5D = Lutron EcoSystem 5% Dimming L1E = Lutron Hi-lume 1% 2-Wire Dimming	QT-1135-WH

Example : LEDH-S11-23-30-UTD

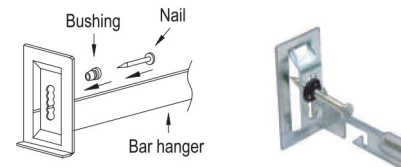
QT-1135-WH

\* Consult factory for other Color Temperatures and Finishes

Ceiling Cut-out : 11-1/4" x 11-1/4"

### • Just-A-Nail

Adjustable nail hanger bar for easy alignment.



### JUST-A-NAIL

- Pre-installed nail bars with vertical slots are used to evenly align the bars horizontally after nailing halfway into wood joists.

### • Optional "Quick Connect" Push-in wire connectors.

- Three "Quick Connectors"
- Pre-installed push-in wire connectors for fast and easy wiring.

### Trims



White Square Trim w/ Acrylic Lens

Frame : 11-5/8" x 11-5/8"

QT-1135-WH