

**LEDH-S55 SQUARE RECESSED DOWNLIGHT INSTALLATION INSTRUCTIONS**



**CAUTIONS**

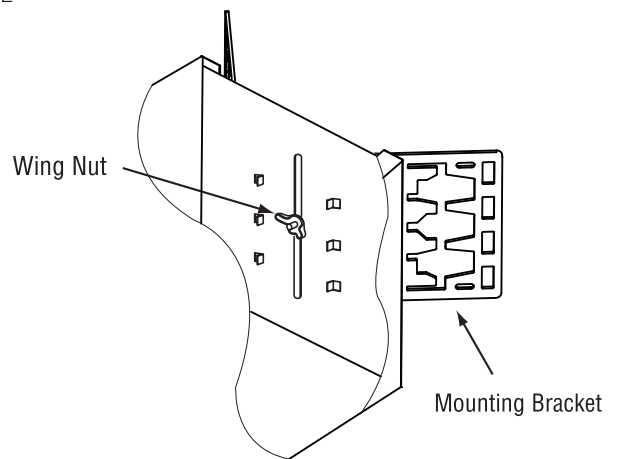
1. To avoid the possibility of electrical shock, turn off power supply before installation or servicing.
2. Product must be installed in accordance with NEC or your local electrical code. If you are not familiar with these codes and requirements, consult a qualified electrician.
3. This fixture must be supported by main runners or other building structure that is capable of supporting fixture weight.
4. Blinking lamp may indicate fixture is too close to insulation or the lamp is of the incorrect wattage or type.

**NOTES:**

These luminaire (fixture) is designed for installation where it will not come in contact with insulation. Thermal insulation must be kept a minimum of three inches 3" away from the housing.

5. Adjust the housing by loosening wing nuts located on each of the hanging brackets (Fig 2).

Figure 2

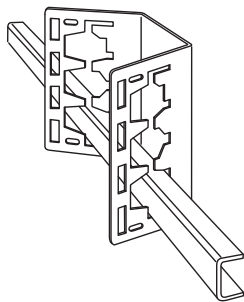


**INSTALLATION**

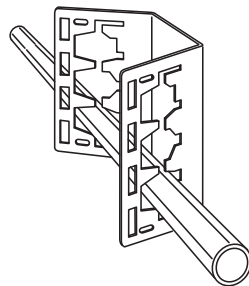
1. Mark a spot on the ceiling to indicate the fixture location.
2. Cut an 5-11/16" X 5-11/16" square into ceiling at desired location.  
**Note:** Cut a 5-11/16" X 8-1/16" (for 5"x7" fixtures) opening.
3. Cut hole accurately using proper cutting tool.
4. Install housing using adjustable mounting brackets (Fixture must be secured to structural ceiling members)
  - a.) With C-Channels as shown in Fig 1a.
  - b.) With 3/4" and 1-1/2" lathing, or 1/2" conduit (by others) as shown in Fig 1b.
  - c.) With Flat bar hangers (by others) as shown in Fig 1c.

**FIGURE 1**

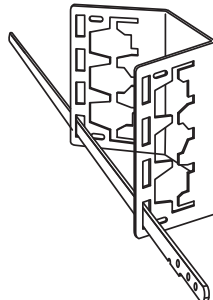
1a : C-Channels



1b : 1/2" Conduit



1c : Bar hanger

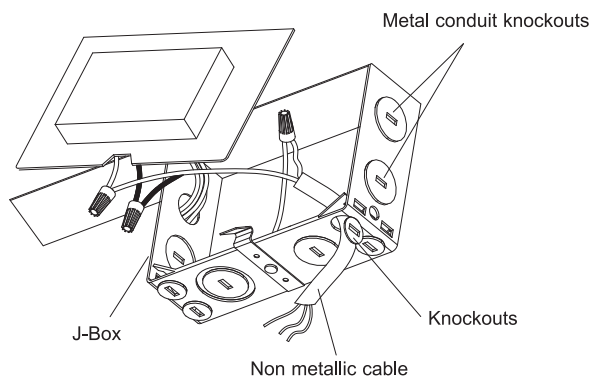


**ELECTRICAL CONNECTION**

1. Provide electrical service according to the "National Electrical Code" or your local electrical code to the junction box on the fixture frame.
2. Remove appropriate size knockout on fixture J-box for conduit connector.
3. Remove J-box cover to J-box by pushing up on spring clip. Attach Conduit with connector to J-box and secure (Fig. 3).
4. Connect supply wires to fixture wires and insulate with proper size wire nuts (not provided).
  - a.) Connect incoming ground wire (green or bare) to fixture ground wire (green or bare).
  - b.) Connect incoming common (white) wire to fixture common (white).
  - c.) Connect incoming hot (typically black) wire to fixture black wire.
5. Replace J-box cover.

## LEDH-S55 SQUARE RECESSED DOWNLIGHT INSTALLATION INSTRUCTIONS

Figure 3



### BALLAST REPLACEMENT

**NOTE: Ballast should be replaced by qualified electrician.**

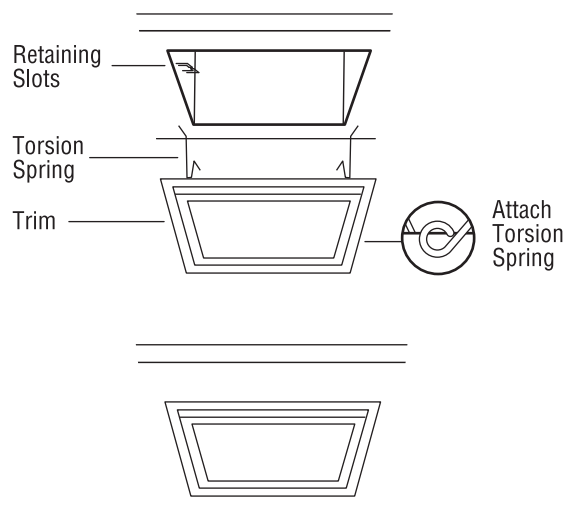
1. Pull trim and Drop the trim from the frame.
2. Remove trim from frame.
3. Remove J-box cover with ballast attached from J-box by pushing up on spring clip.
4. Disconnect ballast from input wiring and lampholder leads (leads are terminated by wire nuts or push to release connectors on the ballast)
5. Replace ballast with a Factory Approved, ballast.
6. Reinstall ballast by reversing above procedure.

### TRIM INSTALLATION

Refer to lamp wattage label in the housing for approved lamps and corresponding trims.

**TORSION SPRING** : Squeeze the arms together and insert them into the slotted tabs on the inside of the housing. Push trim upward fully so spring will hold trim in place. (Fig. A)

Figure A



### LAMP INSTALLATION

Select proper lamp (see lamp type and maximum wattage label inside of housing and on the trim).

Do not exceed maximum wattage shown for trim.