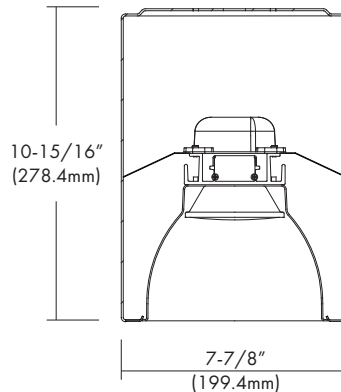


LEDH-SR6-G2 Series

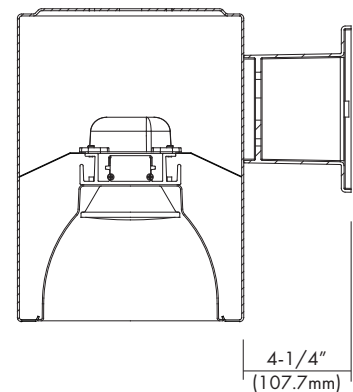
120-277 VAC, 6" LED Ceiling, Wall and Pendant Mount Cylinders

Catalog #		Type
Project		Date
Prepared by		

6" LED Cylinder



[Ceiling Mount : LEDH-SR6-G2-C]



[Wall Mount : LEDH-SR6-G2-W]

DESCRIPTION

The LEDH-SR6-G2 Series 6" Surface Mount Cylinders come in three versions: Ceiling "C", Wall "W" and Pendant "P". The fixtures are offered in 10W, 14W, 22W, and 30W LED, COB modules plus State-of-the-Art universal drivers with Triac, ELV or 0-10V dimming.

DESIGN FEATURES

LED Module

- Durable extruded aluminum heat sink is integrated with the LED COB (chip on board).
- Inner reflector enables even distribution with excellent uniformity.

Reflector

- Anodized haze clear and White painted finishes. Optional Baffle style reflectors are also available. Contact factory for other finishes.

Housing

- Round, 060" thick spun aluminum housing available in semi-matte White, Black, Bronze and Silver.

Heat Sink

- Extruded Aluminum Heat Sink computer designed for superior thermal management to ensure constant light output, color and life of solid state engine components.

LED Power Supply Driver

- Universal, 120-277 VAC input, high efficiency dimming drivers with ① Triac/ELV dimmer switches or ② Triac/ELV/0-10V dimmer switches.
- Drivers feature power factor >.90, THD <20% with integral thermal protection to sense over temperature or electrical issues.
- Driver mounts externally to the LED module for thermal isolation and allows for easy maintenance if needed.
- Optional Lutron Hi-lume 1%, LED drivers are available. Lutron drivers provide flicker-free, smooth, continuous dimming down to 1%. (Contact factory for dimming system requirements)

Wall Bracket (LEDH-SR6-G2-W)

- Cast aluminum bracket easily secures to housing's cross-bar with set screws.

Limited Warranty

- LED Module & Product: 3 years

Listing

- cCSA-us Listed

SPECIFICATION				
Input Voltage	120-277VAC			
Wattage (+/-5%)	10W	14W	22W	30W
Lumen (+/-5%)	1,000lm	1,400lm	2,200lm	3,000lm
Efficacy (LPW)	100lm/W	100 lm/W	100 lm/W	100 lm/W
Beam Angle	67.7°	75°	75.5°	77°
CRI (Typical)	80, 90			
CCT (Color +/-5%)	2700K, 3000K, 3500K, 4000K			
Dimming	Triac/ELV, Triac/ELV/0-10V, or Lutron Dimming			
LED Module	5 yr/50K hr			
Environment	Indoor			

○ Triac/ELV/0-10V Approved Dimmers

* Lutron:

Triac: Skylark S-600
 ELV: NovaT NTELV-300 & 600
 Diva DVELV-300P & 303P
 Maestro MAELV-600
 Skylark SEL-VB-300P

0-10V: Diva DDTV
 Diva DVSTV-IV
 CFL/LED: Diva DVCL-253P
 Ariadni AYCL-253P

* Leviton:

Triac: Trimatron #705W
 ELV: IPE04-1L (ELV)
 Acenti: ATE06-1LW

* Consult tech. service or factory for additional dimmers

TRIMS

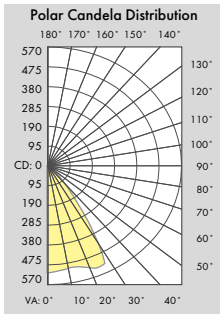
* Wide beam reflector is standard. Also available in narrow beam in reflector (consult with factory).



* All trims are rated for damp location and regressed lens trims are wet location listed.
* LEDT-R641 & LEDT-R622 are suitable and rated for shower location.

PHOTOMETRIC REPORT

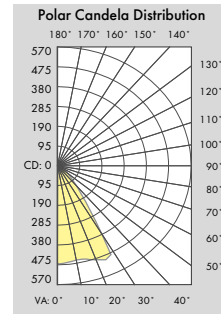
* Contact Factory for IES File



Illuminance at a Distance	
Center Beam FC	Beam Width
2.0ft	3.0ft
4.0ft	6.0ft
6.0ft	9.0ft
8.0ft	12.0ft
10.0ft	15.0ft
12.0ft	18.0ft

Beam Spread: 75°

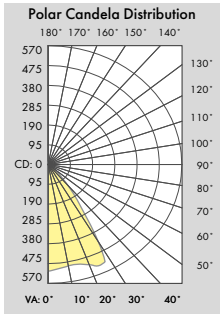
[LEDH-SR6C/SR6W/SR6P-14]



Illuminance at a Distance	
Center Beam FC	Beam Width
2.0ft	3.0ft
4.0ft	6.1ft
6.0ft	9.1ft
8.0ft	12.2ft
10.0ft	15.2ft
12.0ft	18.2ft

Beam Spread: 75°

[LEDH-SR6C/SR6W/SR6P-22]



Illuminance at a Distance	
Center Beam FC	Beam Width
2.0ft	2.4ft
4.0ft	4.9ft
6.0ft	7.3ft
8.0ft	9.8ft
10.0ft	12.2ft
12.0ft	14.7ft

Beam Spread: 75°

[LEDH-SR6C/SR6W/SR6P-30]

Ordering Information

Model	Pendant Style/Length	Watts	CRI	Color Temp.*	Driver	Housing Finish*	Trim	Reflector Finish**	Baffle Finish for LEDT-R614 & R641	Reflector Collar for LEDT-R622	Lens for LEDT-R641 & R622
LEDH-SR6-G2-C (Ceiling Mount)	Place Style before Length - = Standard Pendant -S = Swivel Mount Pendant	-10 = 10W (UZTD & UTMD Driver Only)	-8 = 80 CRI -9 = 90 CRI	27 = 2700K 30 = 3000K	UTD = 120-277VAC, Triac/ELV Dimming UZTD = 120-277V, Triac/ELV/0-10V Dimming (10, 14, 22 & 32W Only) UTMD = 120-277VAC, Tri-Mode (0-10V/ Triac/ELV) Dimming (10, 14, 22 & 32W Only)	-WH = White -BK = Black -BZ = Bronze -SI = Silver	LEDT-R64 LEDT-R614 LEDT-R641 LEDT-R622 LEDT-R636	-HC = Haze Clear -WH = White Painted	-WH = White -BK = Black	-CL = Clear	-FR = Fresnel
LEDH-SR6-G2-W (Wall Mount)	Pendant Lengths 12 = 12 Inches 18 = 18 Inches 24 = 24 Inches	-14 = 14W		35 = 3500K 40 = 4000K							
LEDH-SR6-G2-P (Pendant Mount)	Pendant Lengths 36 = 36 Inches 48 = 48 Inches Cable and Cord Lengths -C32 = 32 Inches -C58 = 58 Inches -C108 = 108 Inches -C128 = 128 Inches	-22 = 22W -30 = 30W			LDE1 = OLUTRON Hi-lume 1% EcoSystem FadeToBlack LTE = OLUTRON Hi-lume 1% 2-Wire Dimming PEQ01 = OLUTRON Hi-lume Premier 0.1% EcoSystem FadeToBlack (For 23W or less only) UDALI = Universal DALI Dimming to 1%						

Example : LEDH-SR6-G2-P-24-23-830UZTD-WH

LEDT-R64-HC

* Consult factory for other Color Temperatures and Finishes

