

LEDMPAL150 150 Watt Multi-Purpose LED Area Light



Project:	
Type:	
Catalog #:	

STANDARD

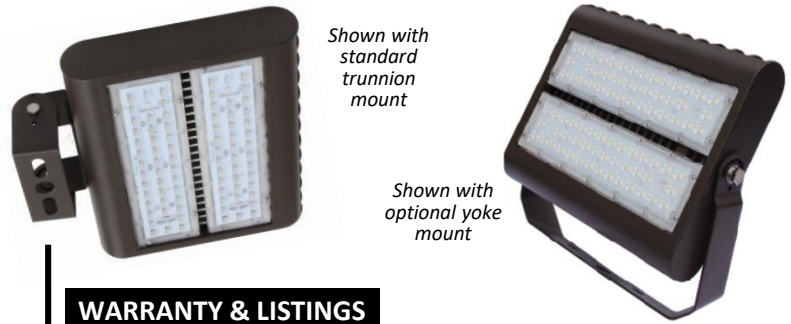


The LEDMPAL series is a group of architectural LED area luminaires designed to illuminate parking areas, pathways, building facades, loading docks, and a variety of other general site lighting applications. Multiple mounting options make the LEDMPAL a versatile luminaire for flood lighting, pole-, ground-, and wall-mounted area lighting, and other outdoor lighting requirements.

FEATURES

- 120-277V models available in 3000k (warm white), 4000K (neutral white) and 5000K (cool white). 277-480V models available in 4000k & 5000k.*
- Long-life LEDs provide 58,000 hours of operation with at least 70% of initial lumen output (L₇₀).**
- Standard optic provides an IES roadway type V distribution, or a 7V (vertical) x 7H (horizontal) NEMA floodlight distribution.
- Type III models (120-277V) deliver 16,695 lumens and 109 lumens per watt (LPW) at 3000k; and 18,303 lumens and 120 LPW at both 4000k and 5000k.
- Type III models (277-480V) deliver 17,517 lumens and 120 LPW at 4000k; and 17,919 lumens and 123 LPW at 5000k.*
- Type V models deliver (120-277V) 19,887 lumens and 130 LPW at 3000k; and 18,486 lumens and 121 LPW at 4000k; and 18,752 lumens and 123 LPW at 5000k.
- Type V models (277-480V) deliver 17,972 lumens and 123 LPW 4000k; and 18,167 lumens and 124 LPW at 5000k.*
- Universal 120-277 or 277-480 AC voltage (50-60Hz) is standard.
- 0-10vdc dimming capability is standard.
- Power factor > 0.90.
- Total harmonic distortion < 20%.
- Color rendering index > 80.
- Optional glare shields (full and half) and wire guards are available.
- Die cast aluminum housing with durable, dark bronze powder coat finish, and a heat-resistant polycarbonate lens.
- Wireway enclosure is sealed with a water-tight, silicon rubber gasket.
- Effective projected areas (EPA's) are 0.38 square feet (sf, front); 0.30 sf (side) and 1.04 sf (front).
- Threaded receptacle (1/2" NPS) for photocell. Optional arms and slip-fitters provide additional photocell mounting options.
- Easy installation in new construction or retrofit applications.

* Contact factory for other color temperatures and lumen packages.
 ** L₇₀ hours are IES TM-21-11 calculated hours.



Shown with standard trunnion mount

Shown with optional yoke mount

WARRANTY & LISTINGS

- cULus listed for wet locations (-30°C to 40°C / -22°F to 104°F).
- IP65 rated.
- DLC standard approved.
- Complies with FCC Part 15, Class B.
- Complies with EN61000-4-5, surge immunity (120-277V models protected to 6kV & 277-480V models protected to 2kV).
- 5-year warranty on all electronics and housing.

MOUNTING OPTIONS

- Trunnion mount is standard.
- Slip-fitter mount provides attachment to poles (2 3/8" O.D. tenon).
- Steel arm mount provides secure attachment to flat surfaces.
- Yoke mount models are available by special order.



Steel Arm Mount Option

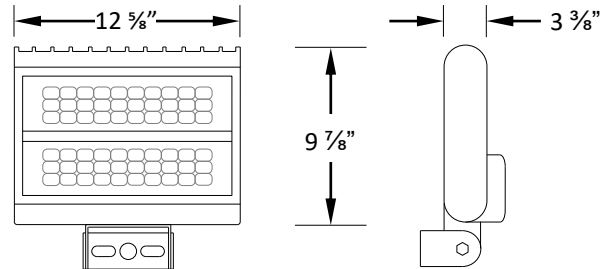


Slip-Fitter Mount Option



Yoke Mount Option

DIMENSIONS



Weight: 9.6 lb.

ORDERING INFORMATION

Examples: (Slip-Fitter, Type III): LEDMPAL150-T-4K-T3 + LEDMPAL-SF-80/300
 (Yoke, Type V): LEDMPAL150-Y-4K (no options available)
 (Arm, NEMA 7H x 7V) LEDMPAL150-T-4K + LEDMPAL-A-80/300

Model	Mounting Type	Luminaire Watts	Input Voltage	Color Temperature	Distribution Type ²	Luminaire Lumens	Lumens / Watt	Options* (Order Separately)		
LEDMPAL150	T = Trunnion ¹ Y = Yoke	153	120-277	3K = 3000k	T3 = Type III	16,695	109	LEDMPAL-SF-80/300 = Slip-Fitter Mount		
			120-277	4K = 4000k	T3 = Type III	18,303	120	LEDMPAL-A-80/300 = Steel Arm Mount		
			120-277	5K = 5000k	T3 = Type III	18,303	120	MPAL80/100/150-FGS = Full Glare Shield		
		146	120-277	3K = 3000k	Type V	19,887	130	MPAL80/100/150-HGS = Half Glare Shield		
			120-277	4K = 4000k	Type V	18,486	121	MPAL80/100/150-WG = Wire Guard		
			120-277	5K = 5000k	Type V	18,752	123			
	277-480	277-480	146	277-480	4K = 4000k	T3 = Type III	17,517	120		
				277-480	5K = 5000k	T3 = Type III	17,919	123		
				277-480	4K = 4000k	Type V	17,972	123		
		277-480	146	277-480	277-480	5K = 5000k	Type V	18,167	124	

¹ Note: For Slip-Fitter or Steel Arm mounting, order a luminaire with the standard Trunnion mount installed (LEDMPAL150-T), and either the Slip-Fitter (LEDMPAL-SF-80/300) or Steel Arm (LEDMPAL-A-80/300). The Slip-Fitter and Steel Arm mounts are shipped in separate cartons than the luminaire, and are field-installed after removing the standard Trunnion mount.

² Note: Type V distribution is standard, and requires no order suffix (see example above). For NEMA flood 7H x 7V distributions, order the Type V option.

LEDMPAL150 150 Watt Multi-Purpose LED Area Light



ELECTRICAL DATA

Model	Color Temperature	CRI ¹	Luminaire Lumens	Luminaire Watts	Lumens Per Watt	Input Voltage ²	Input Current (A)			Power Factor	THD ³	L ₇₀ Hours ⁴
							120V	240V	277V			
LEDMPAL150-3K-T3	3000k	> 80	16,695	153	109	120-277	1.28	0.64	0.55	> 90%	< 20%	58,000
LEDMPAL150-4K-T3	4000k	> 80	18,303	153	120	120-277	1.28	0.64	0.55	> 90%	< 20%	58,000
LEDMPAL150-5K-T3	5000k	> 80	18,303	153	120	120-277	1.28	0.64	0.55	> 90%	< 20%	58,000
LEDMPAL150-3K	3000k	> 80	19,887	153	130	120-277	1.28	0.64	0.55	> 90%	< 20%	58,000
LEDMPAL150-4K	4000k	> 80	18,486	153	121	120-277	1.28	0.64	0.55	> 90%	< 20%	58,000
LEDMPAL150-5K	5000k	> 80	18,752	153	123	120-277	1.28	0.64	0.55	> 90%	< 20%	58,000

Model	Color Temperature	CRI ¹	Luminaire Lumens	Luminaire Watts	Lumens Per Watt	Input Voltage ²	Input Current (A)			Power Factor	THD ³	L ₇₀ Hours ⁴
							277V	347V	480V			
LEDMPAL150-T-4K-T3-480V	4000k	> 80	17,517	146	120	277-480	0.53	0.42	0.30	> 90%	< 20%	58,000
LEDMPAL150-T-5K-T3-480V	5000k	> 80	17,919	146	123	277-480	0.53	0.42	0.30	> 90%	< 20%	58,000
LEDMPAL150-T-4K-480V	4000k	> 80	17,972	146	123	277-480	0.53	0.42	0.30	> 90%	< 20%	65,000
LEDMPAL150-T-5K-480V	5000k	> 80	18,167	146	124	277-480	0.53	0.42	0.30	> 90%	< 20%	65,000

¹ Color rendering index.

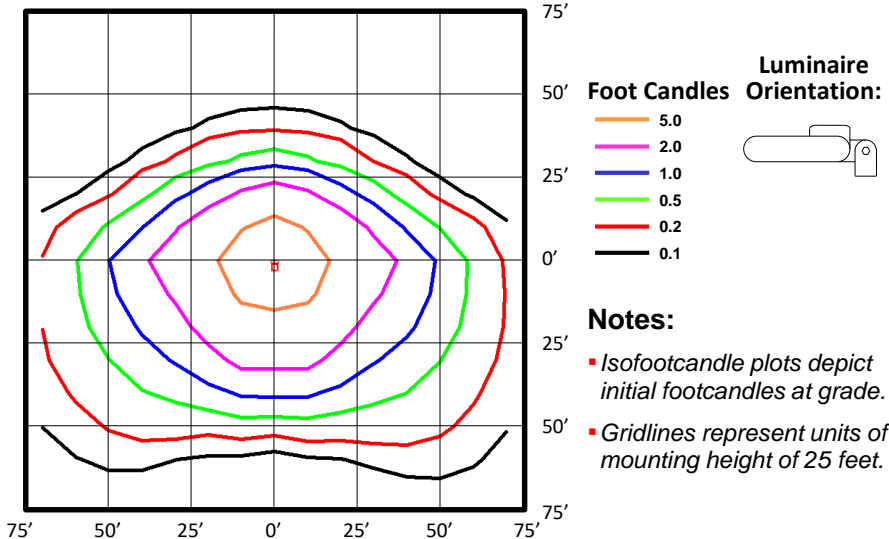
² All 50-60Hz.

³ Total harmonic distortion.

⁴ L₇₀ refers to the number of hours at which lumen output declines to 70% of the initial level. L₇₀ hours are IES TM-21-11 calculated hours.

PHOTOMETRIC DATA

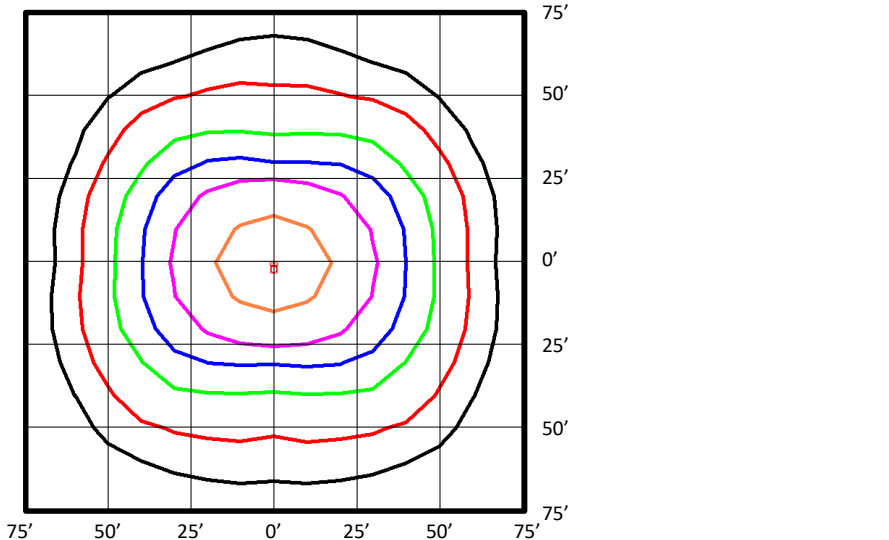
LEDMPAL150-5K (18,303 Lumens, Type III [T3] Distribution)



BUG Rating: B3-U2-G2

Zone	Lumens	%
FL - Front - Low (0-30)	2,111	12%
FM - Front - Medium (30-60)	6,330	35%
FH - Front - High (60-80)	2,860	16%
FVH - Front - Very High (80-90)	127	1%
Total Forward Light	11,428	62%
BL - Back - Low (0-30)	2,072	11%
BM - Back - Medium (30-60)	3,927	21%
BH - Back - High (60-80)	801	4%
BVH - Back - Very High (80-90)	32	0%
Total Back Light	6,833	37%
UL - Up Light - Low (90-100)	2	0%
UH - Up Light - High (100-180)	40	0%
Total Up Light	42	0%
Total Lumens	18,303	100%

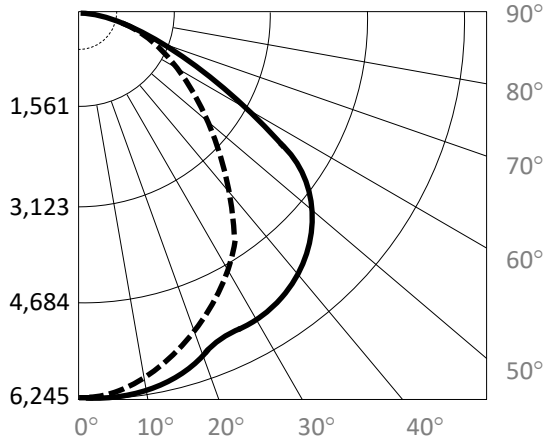
LEDMPAL150-5K (18,752 Lumens, Type V Distribution)



BUG Rating: B3-U2-G2

Zone	Lumens	%
FL - Front - Low (0-30)	2,427	13%
FM - Front - Medium (30-60)	5,077	27%
FH - Front - High (60-80)	1,832	10%
FVH - Front - Very High (80-90)	186	1%
Total Forward Light	9,522	51%
BL - Back - Low (0-30)	2,338	12%
BM - Back - Medium (30-60)	4,982	27%
BH - Back - High (60-80)	1,693	9%
BVH - Back - Very High (80-90)	170	1%
Total Back Light	9,182	49%
UL - Up Light - Low (90-100)	3	0%
UH - Up Light - High (100-180)	45	0%
Total Up Light	48	0%
Total Lumens	18,752	100%

LEDMPAL150 150 Watt Multi-Purpose LED Area Light



Maximum Candela = 6,245

— Horizontal
 - - - Vertical

NEMA Floodlight Type Data

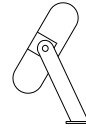
Field Angles:

- Horizontal 160°
- Vertical 163°

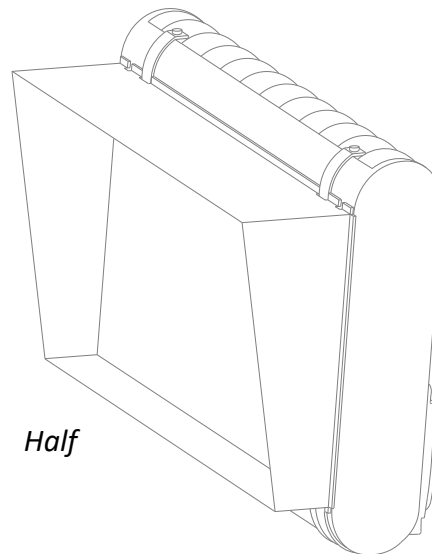
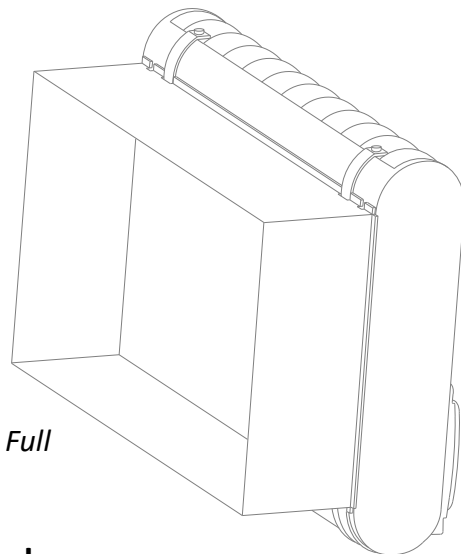
NEMA Type:

- Horizontal 7H
- Vertical 7V

Luminaire Orientation:



Shields



Wire Guards

