

# LEDMPAL80 80 Watt Multi-Purpose LED Area Light



Project:	
Type:	
Catalog #:	



Shown with standard trunnion mount



Shown with optional yoke mount

## STANDARD



The LEDMPAL series is a group of architectural LED area luminaires designed to illuminate parking areas, pathways, building facades, loading docks, and a wide variety of other large, general site lighting applications. Multiple mounting options make the LEDMPAL a versatile luminaire for flood lighting, pole-, ground- and wall-mounted area lighting, and other outdoor lighting requirements.

## FEATURES

- Available in 3000k (warm white), 4000K (neutral white) and 5000K (cool white).\*
- Long-life LEDs provide 69,000 hours of operation with at least 70% of initial lumen output (L<sub>70</sub>).\*\*
- Standard optic provides an IES roadway type V distribution, or a 7V (vertical) x 7H (horizontal) NEMA floodlight distribution.
- Type III models deliver 9,257 lumens & 116 lumens per watt (LPW) at 3000k; 10,307 lumens & 129 LPW at 4000k; and 10,542 lumens and 132 LPW at 5000k.\*
- Type V models deliver 9,725 lumens & 122 LPW at 3000k; 10,033 lumens & 125 LPW at 4000k; and 10,342 lumens and 129 LPW at 5000k.\*
- Universal 120-277 AC voltage (50-60Hz) is standard.
- Power factor > 0.90.
- Total harmonic distortion < 20%.
- Color rendering index > 80.
- Optional glare shields (full & half) & wire guards are available.
- Die cast aluminum housing with durable, dark bronze powder coat finish, and a heat-resistant polycarbonate lens.
- Wireway enclosure is sealed with a water-tight, silicon rubber gasket.
- Effective projected areas (EPA's) are:
  - Front = 0.38 square feet
  - Side = 0.30 square feet
  - Face = 1.04 square feet
- Threaded receptacle (½" NPS) for photocell. Optional arms and slip-fitters provide additional photocell mounting options.
- Easy installation in new construction or retrofit applications.

\* Contact factory for other color temperatures and lumen packages.

\*\* L<sub>70</sub> hours are IES TM-21-11 calculated hours.

## WARRANTY & LISTINGS

- cULus listed for wet locations (-30°C to 40°C / -22°F to 104°F)
- IP65 rated.
- DLC standard approved
- Complies with FCC Part 15, Class B.
- Complies with EN61000-4-5, surge immunity (2kV).
- 5-year warranty on all electronics and housing.

## MOUNTING OPTIONS

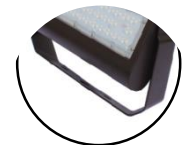
- Trunnion mount is standard.
- Slip-fitter mount provides attachment to poles (2 ⅜" O.D. tenon).
- Steel arm mount provides secure attachment to flat surfaces.
- Yoke mount models are available by special order.



Steel Arm Mount Option

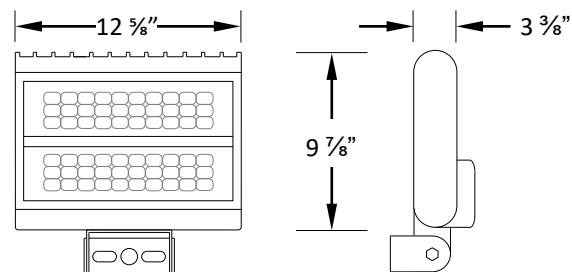


Slip-Fitter Mount Option



Yoke Mount Option

## DIMENSIONS



Weight: 9.6 lb.

## ORDERING INFORMATION

Examples: (Slip-Fitter, Type III): LEDMPAL80-T-4K-T3 + LEDMPAL-SF-80/300  
 (Yoke, Type V): LEDMPAL80-Y-4K (no options available)  
 (Arm, NEMA 7H x 7V) LEDMPAL80-T-4K + LEDMPAL-A-80/300

Model	Mounting Type	Luminaire Watts	Color Temp.	Distribution Type**	Luminaire Lumens	Lumens / Watt	Options* (Order Separately)
LEDMPAL80	T = Trunnion* Y = Yoke	80	3K = 3000k	T3 = Type III	9,257	116	LEDMPAL-SF-80/300 = Slip-Fitter Mount
			4K = 4000k	T3 = Type II	10,307	129	LEDMPAL-A-80/300 = Steel Arm Mount
			5K = 5000k	T3 = Type III	10,542	132	MPAL80/100/150-FGS = Full Glare Shield
			3K = 3000k	Type V	9,725	122	MPAL80/100/150-HGS = Half Glare Shield
			4K = 4000k	Type V	10,033	125	MPAL80/100/150-WG = Wire Guard
			5K = 5000k	Type V	10,342	129	

\* Note: For Slip-Fitter or Steel Arm mounting, order a luminaire with the standard Trunnion mount installed (LEDMPAL80-T), and either the Slip-Fitter (LEDMPAL-SF-80/300) or Steel Arm (LEDMPAL-A-80/300). The Slip-Fitter and Steel Arm mounts are shipped in separate cartons than the luminaire, and are field-installed after removing the standard Trunnion mount.

\*\* Note: Type V distribution is standard, and requires no order suffix (see example above). For NEMA flood 7H x 7V distributions, order the Type V option.

# LEDMPAL80 80 Watt Multi-Purpose LED Area Light



## ELECTRICAL DATA

Model	Color Temperature	CRI <sup>1</sup>	Luminaire Lumens	Luminaire Watts	Lumens Per Watt	Input Voltage <sup>2</sup>	Input Current (A)			Power Factor	THD <sup>3</sup>	L <sub>70</sub> Hours <sup>4</sup>
							120V	240V	277V			
LEDMPAL80-3K-T3	3000k	> 80	9,257	80	116	120-277	0.67	0.33	0.29	> 90%	< 20%	69,000
LEDMPAL80-4K-T3	4000k	> 80	10,307	80	129	120-277	0.67	0.33	0.29	> 90%	< 20%	69,000
LEDMPAL80-5K-T3	5000k	> 80	10,542	80	132	120-277	0.67	0.33	0.29	> 90%	< 20%	69,000
LEDMPAL80-3K	3000k	> 80	9,725	80	122	120-277	0.67	0.33	0.29	> 90%	< 20%	69,000
LEDMPAL80-4K	4000k	> 80	10,033	80	125	120-277	0.67	0.33	0.29	> 90%	< 20%	69,000
LEDMPAL80-5K	5000k	> 80	10,342	80	129	120-277	0.67	0.33	0.29	> 90%	< 20%	69,000

<sup>1</sup> Color rendering index.

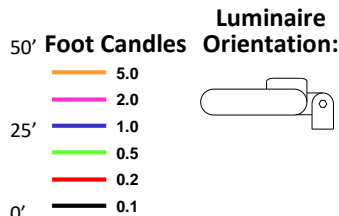
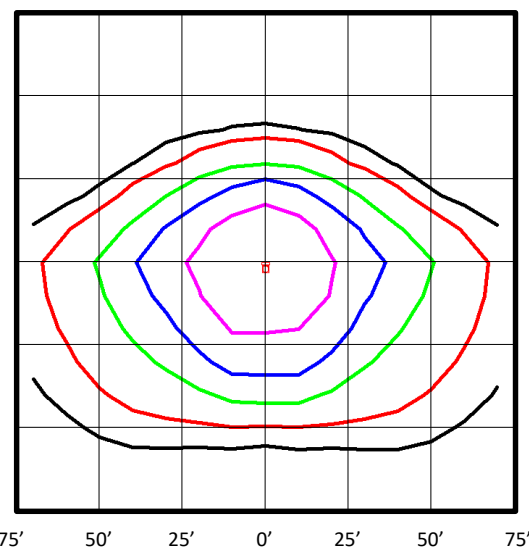
<sup>2</sup> All 50-60Hz.

<sup>3</sup> Total harmonic distortion.

<sup>4</sup> L<sub>70</sub> refers to the number of hours at which lumen output declines to 70% of the initial level. L<sub>70</sub> hours are IES TM-21-11 calculated hours.

## PHOTOMETRIC DATA

### LEDMPAL80-5K (10,542 Lumens, Type III [T3] Distribution)



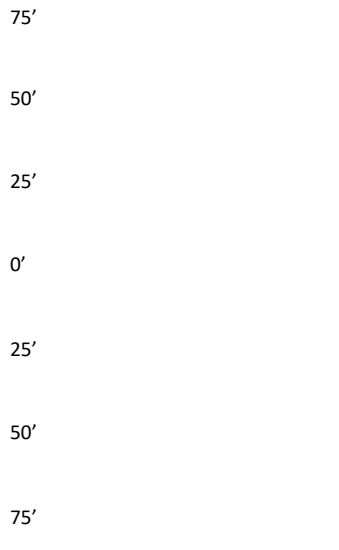
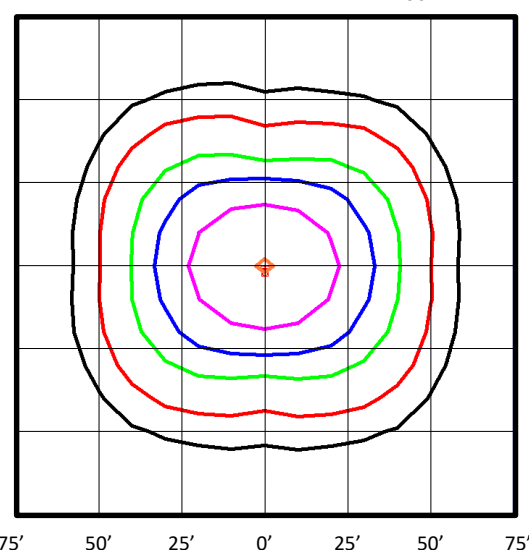
**Notes:**

- Isofootcandle plots depict initial footcandles at grade.
- Gridlines represent units of mounting height of 25 feet.

### BUG Rating: B3-U2-G2

Zone	Lumens	%
FL - Front - Low (0-30)	1,303	12%
FM - Front - Medium (30-60)	3,686	35%
FH - Front - High (60-80)	1,585	15%
FVH - Front - Very High (80-90)	81	1%
<b>Total Forward Light</b>	<b>6,655</b>	<b>63%</b>
BL - Back - Low (0-30)	1,255	12%
BM - Back - Medium (30-60)	2,125	20%
BH - Back - High (60-80)	464	4%
BVH - Back - Very High (80-90)	22	0%
<b>Total Back Light</b>	<b>3,866</b>	<b>37%</b>
UL - Up Light - Low (90-100)	1	0%
UH - Up Light - High (100-180)	21	0%
<b>Total Up Light</b>	<b>22</b>	<b>0%</b>
<b>Total Lumens</b>	<b>10,542</b>	<b>100%</b>

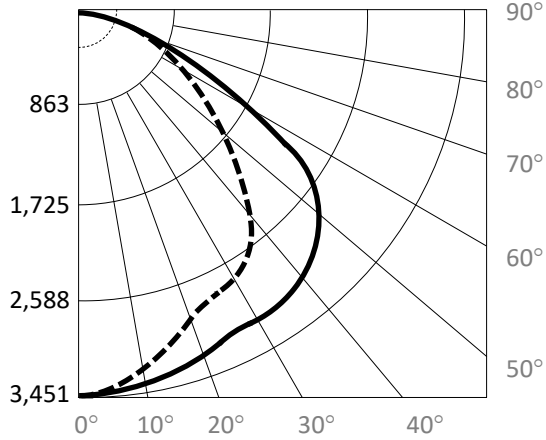
### LEDMPAL80-5K (10,342 Lumens, Type V Distribution)



### BUG Rating: B3-U2-G2

Zone	Lumens	%
FL - Front - Low (0-30)	1,269	12%
FM - Front - Medium (30-60)	2,860	28%
FH - Front - High (60-80)	947	9%
FVH - Front - Very High (80-90)	117	1%
<b>Total Forward Light</b>	<b>5,193</b>	<b>50%</b>
BL - Back - Low (0-30)	1,273	12%
BM - Back - Medium (30-60)	2,810	27%
BH - Back - High (60-80)	931	9%
BVH - Back - Very High (80-90)	112	1%
<b>Total Back Light</b>	<b>5,126</b>	<b>50%</b>
UL - Up Light - Low (90-100)	1	0%
UH - Up Light - High (100-180)	22	0%
<b>Total Up Light</b>	<b>23</b>	<b>0%</b>
<b>Total Lumens</b>	<b>10,342</b>	<b>100%</b>

# LEDMPAL80 80 Watt Multi-Purpose LED Area Light



Maximum Candela = 3,451

— Horizontal  
- - - Vertical

## NEMA Floodlight Type Data

### Field Angles:

- Horizontal 171°
- Vertical 162°

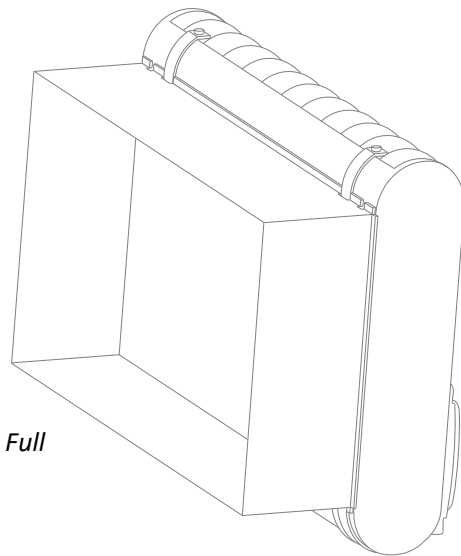
### NEMA Type:

- Horizontal 7H
- Vertical 7V

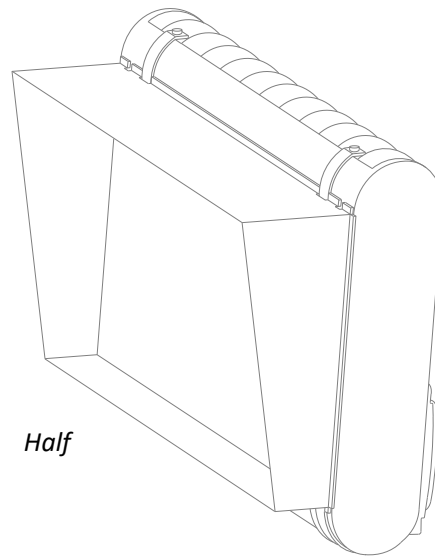
## Luminaire Orientation:



## Shields



Full



Half

## Wire Guards

