

**Mogul-Base LED Replacement Lamp**  
3000K, 4000K / 40W, 50W / 125 Lm/W

Project:	
Catalog#:	
Approved by:	



**No Ballast needed (UL Type B)  
Internal driver/line voltage lamp  
Remove ballast from fixture**

**Features**

- 125 Lm/W
- 360° Beam Angle
- Power Factor: >0.9
- CCT: 3000K or 4000K; CRI: >80
- Long Life: 10 years
- Operating temperature range: -30 to +60°C
- IP65 Design - Driver is fully sealed with heat sink silicone
- Waterproof, dust proof, and bug proof
- Flame retardant material
- UL/cUL Listed
- 120-277 VAC, 50/60Hz
- Built-in 4kV surge protection
- Non-dimming
- Warranty: 5 Years

**Applications**



Wallpack



Acorn



Posttop



Ball



Posttop



Garage Light



Pendant



Floodlight



Visit [www.designlights.org](http://www.designlights.org) for the Qualified Products List



**Ordering Information**

Catalog #	Lumens	Watts	Lm/W	CCT	Cover	Base*	Replacement
<b>LEDMR-4040-MV</b>	5000	40W	125	4000K	Slight Frost	E39 Mogul	100W HID
<b>LEDMR-3050-MV</b>	6250	50W	125	3000K	Slight Frost	E39 Mogul	175W HID
<b>LEDMR-4050-MV</b>	6250	50W	125	4000K	Slight Frost	E39 Mogul	175W HID

\*Will not fit Ex39 (Pink) socket

### Mogul-Base LED Replacement Lamp

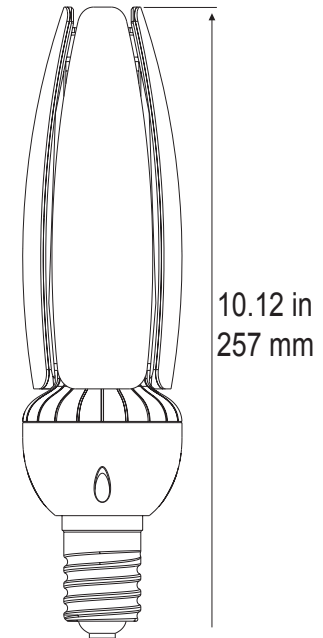
3000K, 4000K / 40W, 50W / 125 Lm/W

Project:	
Catalog#:	
Approved by:	



### Dimensions

Φ3.23 in  
Φ83 mm



### LEDMR vs. Common Lamp Sizes

Lamp	Base	L (in.)	D (in.)
LEDMR-XXXX-MV	E39 (default)	10.12	3.23
	w/ medium base adapter	11.50	
LU100	E39	7.75	2.94
LU150/55			
MH150/U		8.31	3.5
MH175/U			
H39KB-175		8.25	
H37KC-175/DX			

### Accessories (sold separately)

<p>Mogul Socket <b>LH-MOE-01</b></p>	<p>Medium to Mogul base adapter <b>LH-MEMO</b></p>	<p>Surge Protector 20kV, 10kA <b>HL-LSP10GI277P</b></p>	<p>Twist lock long life photocontrol Multi-volt, fail-on, 6A max. <b>TLPCMV-130</b></p>
--	--	---	---



Visit [www.designlights.org](http://www.designlights.org) for the Qualified Products List

