

LEDR5HO Remote Capable LED Emergency Unit



Project:	
Type:	
Catalog #:	



STANDARD



OPTIONAL



ILLUMINATION

- Long lasting, efficient ultra-bright white LED lamp heads.
- 1 watt (8 LEDs x 0.125) per head.
- High-performance chrome-plated metalized reflector and plastic lens for optimal light distribution.
- Adjustable LED lamp heads provides optimal center-to-center spacing. High-lumen option available for increased center-to-center spacing.

ELECTRICAL

- Dual 120/277 voltage.
- Can operate up to 3 watts remote capacity.
- Charge rate/power "ON" LED indicator light and push to test switch for mandated code compliance testing.
- 3.6V long-life, maintenance-free, rechargeable NiCd battery.
- Internal solid-state transfer switch automatically connects the internal battery to LED lamp heads for minimum 90-minute emergency illumination.
- Fully automatic solid-state, two-rate charger initiates battery charging to recharge a discharged battery in 24 hours.

MOUNTING

- Surface mount via quick-connect back plate; fits most standard size junction boxes and snaps into place to make internal electrical connections.
- Top and side knockout for conduit applications.
- Suitable for wall or ceiling mount.

HOUSING

- Injection-molded, engineering-grade, 5VA flame retardant, high-impact resistant, thermoplastic in white or black finish.

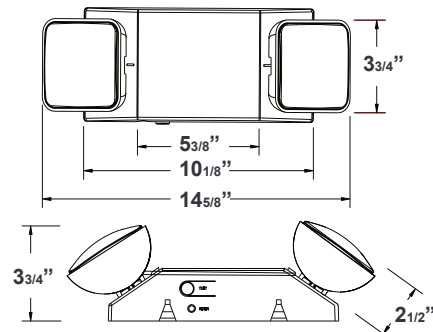
OPTIONS

- SDT: Self-diagnostic test feature performs monthly, biannually, and annually tests to ensure reliable operation and to meet electrical and life safety codes.
- HL: 12-LED heads (12 LEDs x 0.125 watt) per head provide increased center-to-center spacing.

WARRANTY/LISTING

- Five year warranty on all electronics and housing. Battery pro-rated for five years.
- Meets UL924, NFPA101 Life Safety Code, NEC, OSHA, Local and State Codes.
- UL listed for damp locations. (0°C – 50°C)

DIMENSIONS



ORDERING INFORMATION

Sample Part Number: LEDR5HO

Special Voltage options available.
Check with your Best Lighting representative.

Model	Housing Color	Options
LEDR5HO	Blank White B Black	SDT Self-Diagnostics HL High-Lumen

LEDR5HO Remote Capable LED Emergency Unit



Project:	
Type:	
Catalog #:	

ELECTRICAL INFORMATION

Catalog Number	Input Watts (W)		Input Amps (A)	
	120V	277V	120V	277V
LEDR5HO	2.1	2.1	0.025	0.012
LEDR5HO-SDT	1.9	1.9	0.020	0.010

CENTER-TO-CENTER SPACING GUIDELINES

For reference only.



1'	0.2	0.3	0.5	0.4	0.4	0.5	0.6	0.8	1	0.8	0.9	0.8	0.4	0.2	0.2	
2'	0.3	0.5	0.7	0.8	0.9	0.8	0.9	1	1.1	1.4	1.1	0.8	0.5	0.3	0.2	
3'	0.4	0.7	1	1	1.1	1.1	1.1	1.3	1.4	1.1	0.9	0.9	0.7	0.5	0.2	
4'	0.5	0.7	0.9	1.1	1.2	1.2	1	1.1	1.1	1	1.1	0.8	0.6	0.3	0.2	
5'	0.5	0.7	0.8	0.8	1	1.1	0.8	0.8	1	0.9	0.6	0.5	0.4	0.3	0.2	
6'	0.4	0.5	0.7	0.7	0.8	0.8	0.6	0.5	0.6	0.5	0.4	0.4	0.3	0.2	0.2	
	7'	6'	5'	4'	3'	2'	1'	0'	1'	2'	3'	4'	5'	6'	7'	8'

Meets NFPA101 Requirements for: 10' center-to-center spacing - 3' path of egress 1' from the wall- 7 1/2' mounting height.