

LEDWPCA30W/50W

30 & 50 Watt Adjustable Full Cutoff LED Area Light



Project:	
Type:	
Catalog #:	



STANDARD



The LEDWPCA series is a contemporary, commercial-grade area luminaire. It features a heavy-duty, spring-loaded hinge, which provides the flexibility of focusing light near the mounting surface or projecting light forward. With a die cast aluminum housing and a polycarbonate lens, the LEDWPCA series will stand up to many years of punishing environmental conditions. High-efficacy, long-life LEDs provide both energy and maintenance cost savings compared to traditional, HID area lights.

FEATURES

- Available in 3000k (warm white), 4000k (neutral white) and 5000k (cool white) color temperatures.*
- Long-life LEDs provide 69,000 hours of operation with at least 70% of initial lumen output (L₇₀).**
- LEDWPCA30W delivers 3,099 lumens & 111 lumens per watt (LPW) at 3000k; 3,239 lumens & 116 LPW at 4000k; and 3,298 lumens & 118 LPW at 5000k.*
- LEDWPCA50W delivers 4,920 lumens & 100 LPW at 3000k; 5,193 lumens & 106 LPW 4000k, and 5,287 lumens & 108 LPW at 5000k.*
- Heavy-duty, spring-loaded hinge provides the flexibility of focusing light near the mounting surface or projecting light forward.
- Universal 120-277 AC voltage (50-60Hz) is standard.
- Watertight, compression-type electrical connectors prevent moisture intrusion.
- Power factor > 0.90.
- Total harmonic distortion < 20%.
- Color rendering index > 80.
- Die cast aluminum housing with durable, dark bronze, powder coat paint.
- Durable, UV-resistant polycarbonate lens.
- Removable, threaded plugs for side attachment of 1/2" rigid electrical conduit, or for button photocells.
- Easy installation in new construction or retrofit.

* Contact factory for other color temperatures and lumen packages.

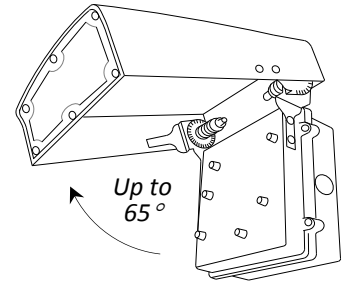
** L₇₀ hours are IES TM-21-11 calculated hours.

WARRANTY & LISTINGS

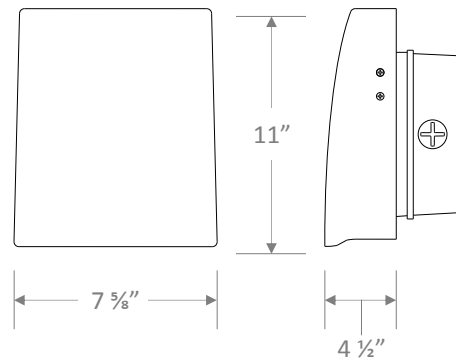
- cULus listed for wet locations (-20°C to 40°C / -4°F to 104°F).
- IP65 rated.
- DLC standard approved.
- Complies with FCC Part 15 class B.
- Complies with EN61000-4-5, surge immunity (1kV).
- 5-year warranty on all electronics and housing.

VERTICAL ADJUSTABILITY

- Heavy-duty, spring-loaded hinge provides vertical adjustability of the luminaire housing up to 65°.
- Adjustability provides for a range of lighting effects from full-cutoff downlight to forward throw.
- Knurled notches securely retain rotated position even in demanding environments.



DIMENSIONS



Weight: 4.0 lb.

ORDERING INFORMATION

Model	Color Temperature	Luminaire Lumens	Luminaire Watts	Lumens Per Watt
LEDWPCA30W-3K	3000k	3,099	28	111
LEDWPCA30W-4K	4000k	3,239	28	116
LEDWPCA30W-5K	5000k	3,298	28	118
LEDWPCA50W-3K	3000k	4,920	49	100
LEDWPCA50W-4K	4000k	5,193	49	106
LEDWPCA50W-5K	5000k	5,287	49	108

LEDWPCA30W/50W

30 & 50 Watt Adjustable Full Cutoff LED Area Light



ELECTRICAL

Model	Color Temperature	CRI ¹	Luminaire Lumens	Luminaire Watts	Lumens Per Watt	Input Voltage ²	Input Current (A)			Power Factor	THD ³	L ₇₀ Hours ⁴
							120V	240V	277V			
LEDWPCA30W-3K	3000k	> 80	3,099	28	111	120-277	0.23	0.12	0.10	> 90%	< 20%	69,000
LEDWPCA30W-4K	4000k	> 80	3,239	28	116	120-277	0.23	0.12	0.10	> 90%	< 20%	69,000
LEDWPCA30W-5K	5000k	> 80	3,298	28	118	120-277	0.23	0.12	0.10	> 90%	< 20%	69,000
LEDWPCA50W-3K	3000k	> 80	4,920	49	100	120-277	0.41	0.20	0.18	> 90%	< 20%	69,000
LEDWPCA50W-4K	4000k	> 80	5,193	49	106	120-277	0.41	0.20	0.18	> 90%	< 20%	69,000
LEDWPCA50W-5K	5000k	> 80	5,287	49	108	120-277	0.41	0.20	0.18	> 90%	< 20%	69,000

¹ Color rendering index.

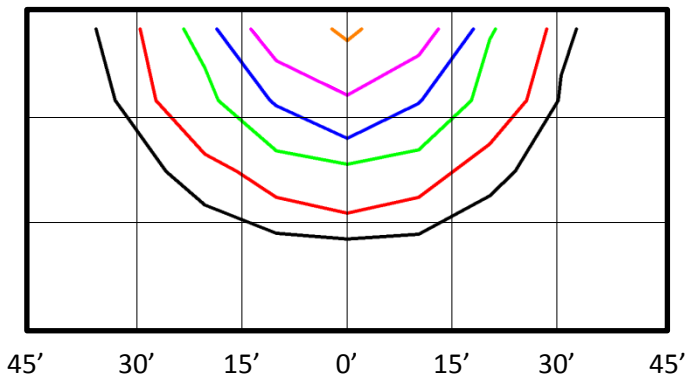
² All 50-60Hz.

³ Total harmonic distortion.

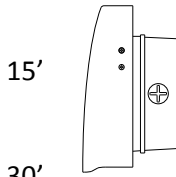
⁴ L₇₀ refers to the number of hours at which lumen output declines to 70% of the initial level. L₇₀ hours are IES TM-21-11 calculated hours.

PHOTOMETRIC DATA

LEDWPCA30W-5K (3,298 Lumens)



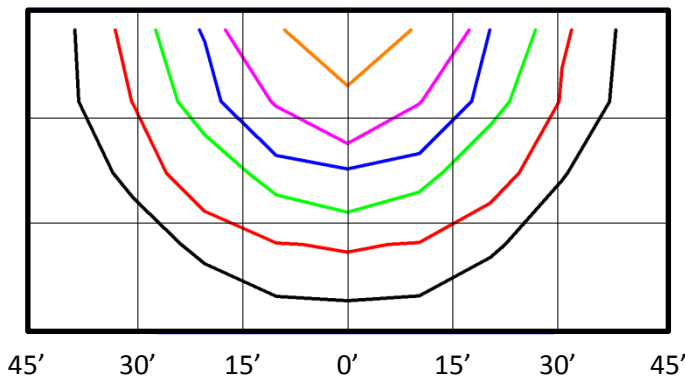
0' Luminaire Orientation:



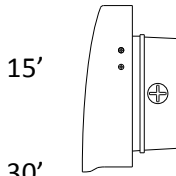
BUG Rating: B2-U0-G1

Zone	Lumens	%
FL - Front - Low (0-30)	565	17%
FM - Front - Medium (30-60)	895	27%
FH - Front - High (60-80)	214	6%
FVH - Front - Very High (80-90)	9	0%
Total Forward Light	1,683	51%
BL - Back - Low (0-30)	550	17%
BM - Back - Medium (30-60)	836	25%
BH - Back - High (60-80)	210	6%
BVH - Back - Very High (80-90)	20	1%
Total Back Light	1,615	49%
UL - Up Light - Low (90-100)	0	0%
UH - Up Light - High (100-180)	0	0%
Total Up Light	0	0%
Total Lumens	3,298	100%

LEDWPCA50W-5K (5,287 Lumens)



0' Luminaire Orientation:



BUG Rating: B2-U0-G1

Zone	Lumens	%
FL - Front - Low (0-30)	980	19%
FM - Front - Medium (30-60)	1,699	32%
FH - Front - High (60-80)	443	8%
FVH - Front - Very High (80-90)	25	0%
Total Forward Light	3,147	60%
BL - Back - Low (0-30)	779	15%
BM - Back - Medium (30-60)	1,070	20%
BH - Back - High (60-80)	264	5%
BVH - Back - Very High (80-90)	27	1%
Total Back Light	2,140	40%
UL - Up Light - Low (90-100)	0	0%
UH - Up Light - High (100-180)	0	0%
Total Up Light	0	0%
Total Lumens	5,287	100%

Foot Candles

- 5.0
- 2.0
- 1.0
- 0.5
- 0.2
- 0.1

Notes:

- Isofootcandle plots depict initial footcandles at grade.
- Gridlines represent units of mounting height of 15 feet.