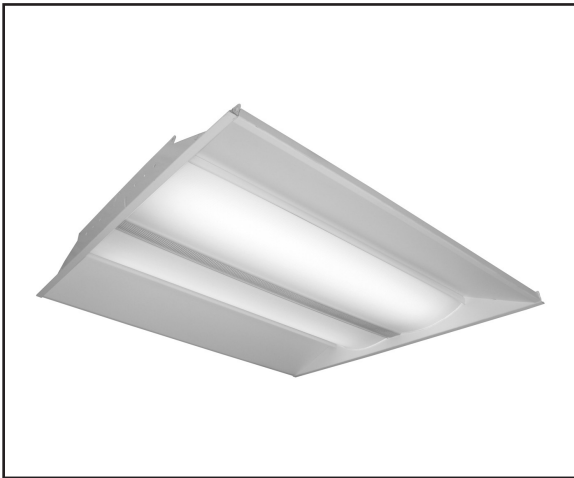


LELL LED 2x2 and 2x4 Recessed Troffer



ORDERING INFORMATION

Example: LELL235SM
Options: 12EBL

PRODUCT SPECIFICATIONS

DESCRIPTION

The LELL Series is a 2x2 or 2x4 LED troffer fixture designed for recessed mounting applications. The LELL offers the look and feel of a fluorescent luminaire with a contemporary look that blends with today's commercial spaces. The LELL utilizes state-of-the-art LED technology to deliver the highest possible efficiency in the lighting industry.

APPLICATIONS

The LELL Series of LED Strips were designed to be high quality, energy efficient LED fixtures for use in commercial applications, hospitals, offices, government facilities, schools, and public areas. The LELL Series is designed to be suitable for use in standard 15/16" inverted T-Bar grid ceilings.

CONSTRUCTION

The fixture is constructed of a heavy gauge cold rolled steel body.

OPTICAL SYSTEM

High output LED's available in 3000K, 3500K, 4000K, and 5000K. CRI >82. Linear ribbed acrylic lens. White polyester polymer finish with a high reflectivity.

ELECTRICAL SYSTEM

Electronic drivers are available for 120/277V applications. Long-life LED system rated for >100K life hours (L70 @ 25°C. Metal gear tray for internal LED driver. Complies with federal energy efficiency standards. 0-10 Dimming Standard.

MOUNTING

This fixture is designed to be recessed mounted.

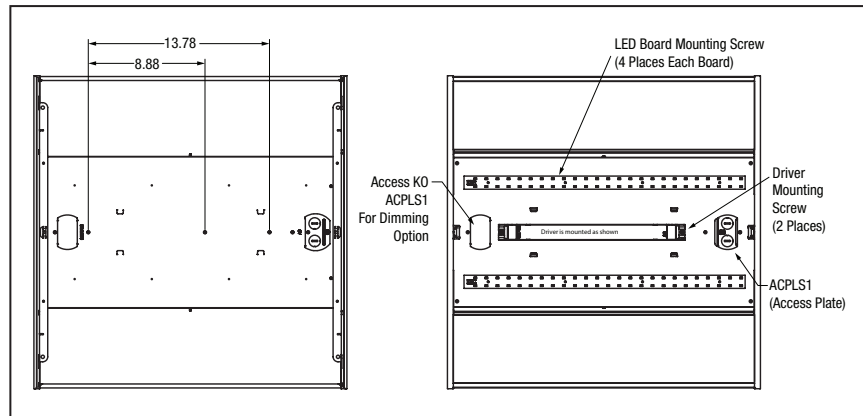
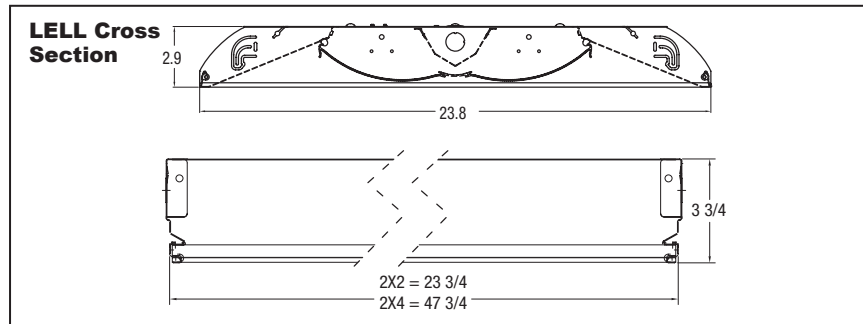
LISTINGS

Independently tested to IESNA LM-79 and LM-80 specifications. UL and cUL Listed.

WARRANTY

5-Year Limited Warranty. Complete warranty and terms located at www.aelnow.com/warranty.

SERIES		COLOR TEMP		ILLUMINATION LEVEL		VOLTAGE		OPTIONS	
LELL2	2x2	30	3000K	SL	Standard Low	M	Multi-Volt (120-277VAC)	12EBL	1200 Lumen Emergency Ballast
LELL4	2x4	35	3500K	ML	Medium Low			FW	6' Flex Whip
		40	4000K	HL	High Low			SMS	Surface Mount Shroud
		50	5000K	SM	Standard Medium			FK22	2x2 Flange Kit
				MM	Medium Medium			FK24	2x4 Flange Kit
				HM	High Medium				
				SH	Standard High				
				MH	Medium High				
				HH	High High				



ENERGY AND PERFORMANCE DATA

Input Voltage	120/277VAC
System Input Power	33 - 179 Watts*
Delivered Lumen Output	4650 - 25000 Lumens
Standard Dimming Control	0-10V
CCT	3000, 3500, 4000, 5000 Kelvin
CRI	82 (minimum)
Life Time Rating	100,000 hrs @ L70
Input Frequency	50/60 Hz
Power Factor	>0.9
Operating Temp	30° to 50° C

*Actual wattage may differ by ±5% while operating 120/277V ±10%

Output	Delivered Lumens	System Wattage	L70 @20C (hrs)
SL	4650	33	>100K
ML	7974	57	>100K
HL	11150	80	>100K
SM	12040	86	>100K
MM	13016	93	>100K
HM	15728	112	>100K
SH	16500	118	>100K
MH	20000	143	>100K
HH	25000	179	>100K

Approximate Color Temperature Multiplier	
5000K	1.03
4000K	1
3500K	0.97
3000K	0.94
2700K	0.91

* Delivered Lumens shown were tested with 4000K LEDs 100,000 hours.