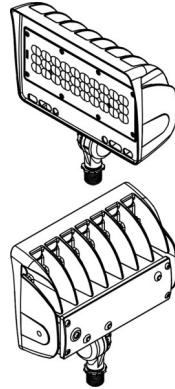


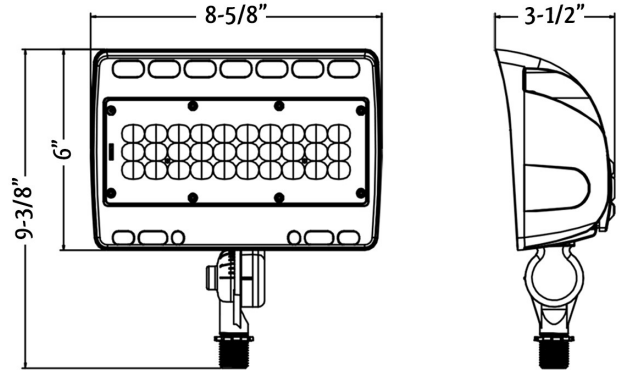


## LF4-50CW-KN LF4-50WW-KN



### DIMENSIONS:

6"(H) x 8-5/8"(W) x 3-1/2"(D)



## LF4 ARCHITECTURAL SERIES LED FLOOD LIGHT WITH ADJUSTABLE KNUCKLE

MODEL	WATTS	VOLTAGE	LUMENS	COLOR TEMP
LF4-50CW-KN	50W	120~277V AC	5600 LM	5000K
LF4-50WW-KN	50W	120~277V AC	5400 LM	3000K

Ideal for general site lighting, alleys, loading docks, doorway, pathway and parking areas. Great for use with motion sensors and other instant on/off controls.

### ELECTRICAL SPECIFICATIONS:

- Voltage: 120-277VAC 50/60Hz
- Wattage: 50W
- Input current: 0.52A Max
- Other wattages: 12W, 30W
- Power factor: >0.95
- Efficacy: 105LM/W~110LM/W

### HOUSING SPECIFICATIONS:

- Die-cast aluminum with powder coat finish (Dark Bronze)
- Operating temperature: -40°F ~ 104°F
- Lifespan: 50000 Hrs.
- IP rating: IP65, Wet Locations
- High light transmittance, anti-UV & fire resistant PC lens

### CERTIFICATIONS: UL, DLC



### LIGHTING SPECIFICATIONS:

- LED type/brand: Philips Lumileds LEDs / SMD 3030
- Total lumens: 5400LM and 5600LM
- Color temperature: 3000K / 5000K
- Color rendering index: >82
- Beam angle: 90° x 120°

### WARRANTY: 5 years



## LF4-50CW-KN LF4-50WW-KN

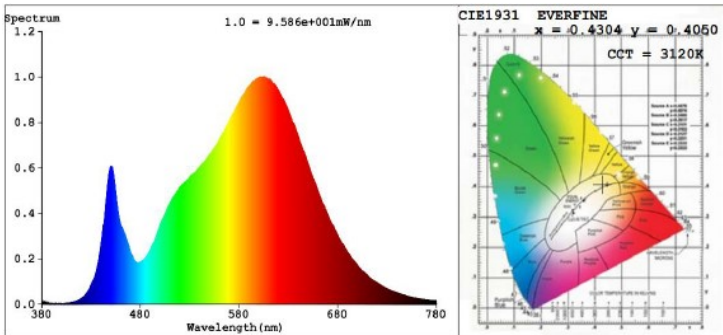
### LF4 ARCHITECTURAL SERIES LED FLOOD LIGHT WITH ADJUSTABLE KNUCKLE

MODEL	WATTS	VOLTAGE	LUMENS	COLOR TEMP
LF4-50CW-KN	50W	120~277V AC	5600 LM	5000K
LF4-50WW-KN	50W	120~277V AC	5400 LM	3000K

#### CERTIFICATIONS: UL, DLC



#### PHOTOMETRICS:



#### ILLUMINANCE AT A DISTANCE

	Center Beam fc	Beam Width	
17.0ft	7.48 fc	31.5 ft	55.8 ft
34.0ft	1.87 fc	63.1 ft	111.7 ft
51.0ft	0.83 fc	94.6 ft	167.5 ft
68.0ft	0.47 fc	126.2 ft	223.4 ft
85.0ft	0.30 fc	157.7 ft	279.2 ft
102.0ft	0.21 fc	189.3 ft	335.0 ft

■ Vert. Spread: 85.7°  
■ Horiz. Spread: 117.3°

