



Type IC, Air-Tight, Wet & Open Plenum

DESCRIPTION

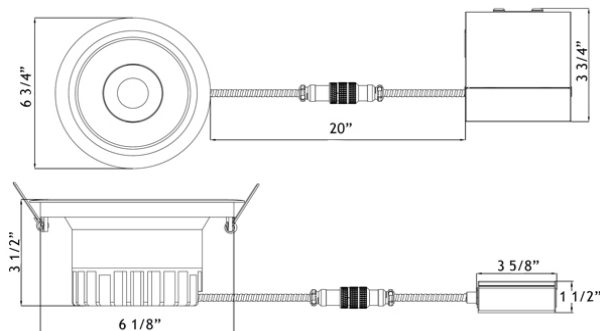
6" Round Deep Regressed LED - Elegant Design Without Glare
Commercial Grade Quality Built To Last

FEATURES & BENEFITS

18W up to 1700 lm with CRI 90+
5 single CCT, Dim to Warm & 5CCT user selectable
Type IC, Air-Tight & Wet - No Housing Required
3 1/2" Deep - Install Where Ceiling Space Is Limited
Armored Cable & Metal Connectors - Open Plenum Rated
Driver Inside Connection Box with Romex Quick Connectors
and Knock Outs - Fast Installation & No Junction Box Needed

DIMENSIONS ID 6 1/8" OD 6 3/4" Cut Out 6 1/4"

Ceiling Clearance Required: 3"



120V TRIAC Dimmable Driver Included Optional 120V-347V



0-10V Dimmable
Order Separately
[model # LLL-LD2050TR](#)

ORDERING GUIDE Example: **LD6R-5CCT-WR-WT**

LD6R	CCT	Reflector-Trim
	- xxK	- xx-xx
2700K	27K	WR-WT
3000K	30K	SR-WT
3500K	35K	BR-WT
4000K	40K	BR-BT
5000K	50K	SR-BT
Dim To Warm	32K	Dim to Warm 3000K to 2000K
5 CCT	5CCT	
5CCT user selectable is 2700-3000-3500-4000-5000K		

LD6R

6" Round Deep Regressed LED Open Plenum 18W

Project: _____

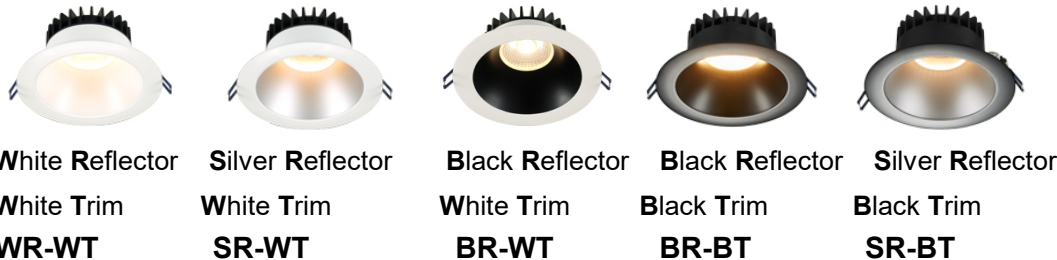
Location: _____

Model #: _____ Qty: _____

Notes: _____

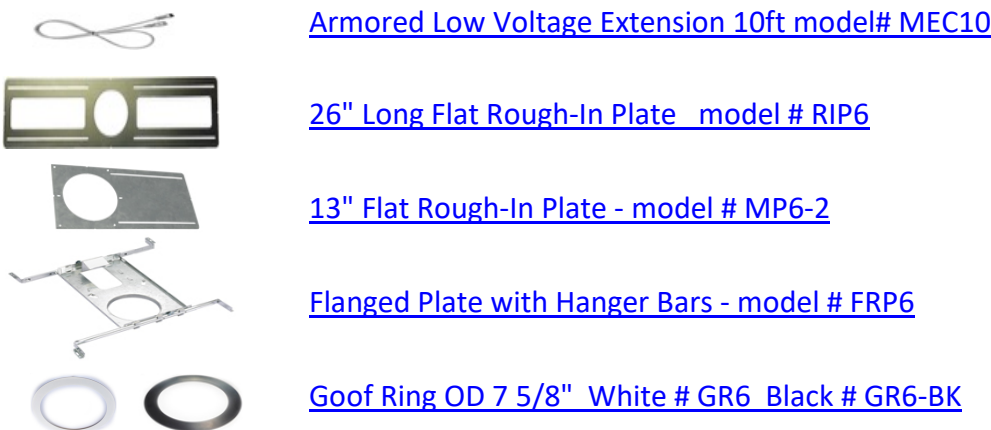
SPECIFICATION	
Applications	Recessed Ceiling Mount
Energy Used	18W
Color Temperature (K)	2700 3000 3500 4000 5000 DTW 5CCT
Light Output (lm)	1500 1550 1600 1650 1700 1150
Beam Angle	38°
CRI	90 +
Default Driver Input	120V AC Triac Dimmable
Optional Driver Input	120V-347V AC 0-10V Dimmable
Junction Box Wire Capacity	Max 5 No 12 AWG or 8 No 14 AWG
Power Factor	0.98
Approved Location	Insulated Ceilings, Open Plenum, Wet
IP Rating	IP 54
Air Tight	Yes
Ambient Temperature	-40°F (-40°C) to +104°F (+40°C)
Projected Life	70% Light Output at 50,000 Hours
Certification	cULus, Energy Star (except DTW & 5CCT), T24
Warranty	10 Year Residential / 5 Year Commercial

AVAILABLE TRIMS



ACCESSORIES

Sold Separately



COMPLIANCE



**Type IC & Air - Tight
Wet Location
Open Plenum**