



LED-6-S12W

6" Ultra Slim Round Recessed LED 12W

Type IC & Air-Tight



Project: _____

Location: _____

Model: _____ Qty: _____

Notes: _____

DESCRIPTION

6" Round Recessed LED With Integral Driver In Connection Box
Single Color or 5 CCT

FEATURES & BENEFITS

1/2" Thick - Install Directly Under Ceiling Joists

Type IC Rated - No Housing Required

Driver Inside Connection Box - No Junction Box Needed

5 CCT Switchable Option - User Selectable Light Colors

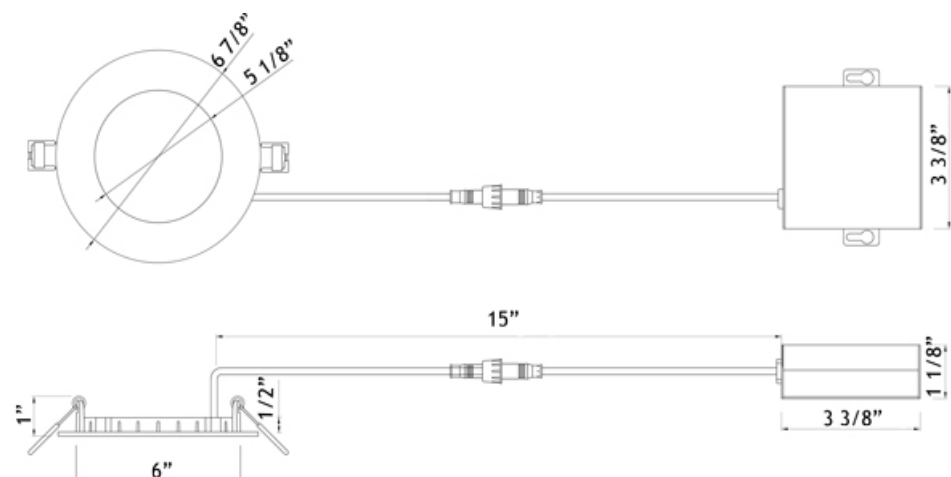
DIMENSIONS ID 6" OD 6 7/8" Cut Out 6 1/8"

Fixture Thickness: 1/2"

120V Triac Dimmable Driver Included

SPECIFICATION	
Applications	Renovations & New Construction
Energy Used	12 W
Color Temperature (K)	3000 4000 5CCT : 2700 - 3000 - 3500 - 4000 - 5000
Light Output (lm)	800 820 5CCT : 1000 - 1060 - 1080 - 1060 - 1010
Halogen Equivalent	90 W
Beam Angle	120°
CRI	80
Driver Input	120V AC 50/60 Hz
Junction Box Volume	9.69 cu in / Max 5 No 12 AWG or 8 No 14 AWG
Approved Location	Insulated Ceiling & Damp Locations
Air Tight	Yes
Ambient Temperature	-4° F (-20° C) to +104° F (+40° C)
Projected Life	70% Light Output at 50,000 Hours
Certification	cETLus, Energy Star
Warranty	3 Year

5 CCT Option



5 Light Colors
User Selectable
2700K | 3000K | 3500K
4000K | 5000K

ORDERING GUIDE

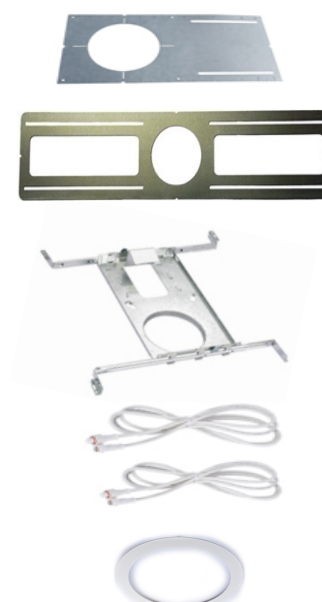
	CCT	Trim	Packaging
LED-6-S12W-3K-WH	3000K	White	single
LED-6-S12W-4K-WH	4000K	White	single
LED-6-S12W-5CCT-WH	5CCT	White	single
LED-6-S12W-5CCT-WH-6P	5CCT	White	6 pack



Stock trim - White. Other Trim Colors Available By Custom Order

ACCESSORIES

Sold Separately



[13" Mounting Plate Flat model # MP6-2](#)

[26" Flat Rough-In Plates model # RIP6](#)

[Flanged Plate with Hanger Bars - model # FRP6](#)

[Jumper Cable for single CCT 10 ft model # JC-10](#)

[Jumper Cable for 5CCT 10 ft model # JC-5CCT-10](#)

[Goof Ring White OD 7 5/8" model # GR6](#)

Lotus LED Lights USA
250 H Street # 301, Blaine WA 98230 tel 360-200-5500
Hainesport NJ, Naples FL, Dallas TX, Vancouver WA

www.LotusLEDLights.com
mailing addresses
warehouses

Lotus LED Lights CANADA
702 Chester Rd, Delta BC V3M 6J1 tel 604-538-3090
Delta BC & Mississauga ON