

10" Round Commercial Recessed LED 50W



Type IC, Air-Tight & Wet

DESCRIPTION

10" Round Recessed LED With Integral Driver In Connection Box
Commercial Grade Quality Built to Last

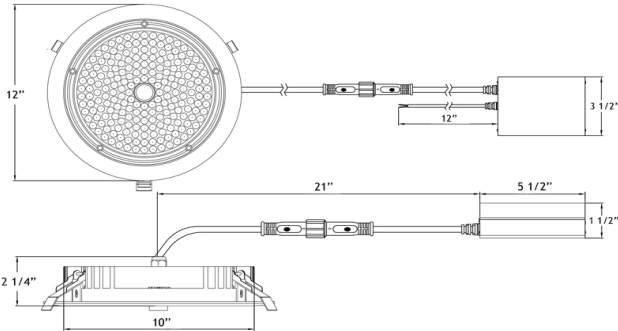
FEATURES & BENEFITS

2 1/4" Deep - Install Where Ceiling Space Is Limited
Type IC Rated - No Housing Required
Fast & Easy To Install - Save On Labor
Driver Inside Connection Box - No Junction Box Needed
Wet Location IP65 Approved

MOUNTING

Cut Hole In Ceiling And Snap Fixture In Opening With Attached Spring Clips. Ceiling Clearance Required: 2 1/4"

DIMENSIONS: ID 10" OD 12" Cut Out 10" to 11"



120V - 277V Driver Included 0-10V Dimmable



ORDERING GUIDE Example: **LL10R - 30K - WH**

	CCT	Trim Finish	
LL10R	-	-	
3000K	30K	WH	White
4000K	40K	BK	Black

Project: _____

Location: _____

Cat #:

Qty: _____

Notes: _____

SPECIFICATION

Applications	High Ceilings Recessed Mount	
Energy Used	50 W	
Color Temperature K	3000	4000
Light Output lm	6500	6700
Equivalent	100 W MH HPS	
Beam Angle	60°	
CRI	80	
Default Driver Input	120V-277V AC	0-10V Dimmable
Optional Driver Input	347V AC	0-10V Dimmable
Power Factor	0.95	
Junction Box Wire Capacity	Max 5 No 12 AWG or 8 No 14 AWG	
Approved Location	Insulated Ceilings, Wet Locations	
IP Rating	IP 65	
Air Tight	Yes	
Ambient Temperature	-40°F (-40°C) to +104°F (+40°C)	
Projected Life	70% Light Output at 50,000 Hours	
Certification	cULus	
Warranty	5 Year	

AVAILABLE TRIMS



White



Black

ACCESSORIES

Sold Separately



Low Voltage Extensions 6ft cat # **BXC6**
FT4 / CMR rated. Max 40 ft Allowed



Pendant Mount Kit cat # **PMK810**
Includes Aircraft Cable & 6ft Extension



347V Input Driver 0-10V Dimmable
Order Separately as cat # **LLL-LD50WH**



Goof Ring Round White ID 10 1/2"
OD14" cat# **GR10-14**, OD16" cat# **GR10-16**



Goof Ring Square White ID 10 1/2"
OD14" cat# **GS10-14**, OD16" cat# **GS10-16**

COMPLIANCE



Type IC
Air-Tight