



LL2G24V

2" 24V Eyeball Round Recessed Gimbal LED 5W



Type IC, Wet & Air-Tight

DESCRIPTION

2" 24V DC Input Eyeball Round Recessed Gimbal LED With DC Module For Regulating The Voltage & Current Unique & Patented Design: Gimbal Yet Air-Tight Without Housing Needed

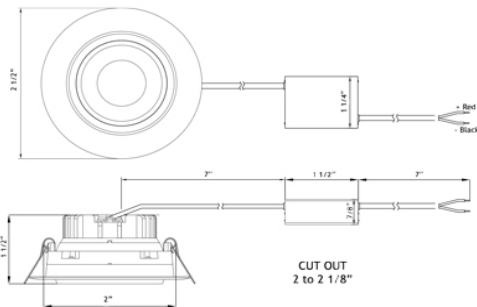
FEATURES & BENEFITS

1 1/2" Deep - Install Where Ceiling Space Is Limited
 Type IC Rated - No Housing Required
 Fast & Easy To Install - Save On Labor
 Directional Beam - Great for Sloped Ceilings and Artwork
 CRI 90+ for True Color Rendering

MOUNTING

Cut Hole In Ceiling And Snap Fixture In Opening With Attached Spring Clips
 Ceiling Clearance Required: 1 1/2"

DIMENSIONS: ID 2" OD 2 1/2" Cut Out 2" to 2 1/2"



DC Module Included



ORDERING GUIDE Example: LL2G24V - 30K - WH

LL2G24V	CCT		Trim Finish	
	-	-	-	-
2700K	27K	WH	White	
3000K	30K	BK	Black	
4100K	41K	BN	Brushed Nickel	

Project: _____

Location: _____

Cat #: _____ Qty: _____

Notes: _____

SPECIFICATION	
Applications	Cabinets, Recessed Alcoves
Energy Used	5 W
Color Temperature	2700 3000 4100
Light Output	380 400 430
Halogen Equivalent	35 W
Beam Angle	24° Beam with 20° tilt and 360° rotation
CRI	90 +
Input	24V DC
Dimming	Not Dimmable
Approved Location	Insulated Ceiling & Wet Locations
IP Rating	IP 54
Air Tight	Yes
Ambient Temperature	-40°F (-40°C) to +104°F (+40°C)
Projected Life	70% Light Output at 50,000 Hours
Certification	cULus
Warranty	10 Year on Residential 5 Year on Commercial Applications

AVAILABLE TRIMS



White

Black

Brushed Nickel

ACCESSORIES

Sold Separately



Rough-In Plates - cat # **RIP2**



24V 96W cULus Class 2 Driver
 120V Input cat # **LBL-DC24V96W**

COMPLIANCE



Type IC
Air-Tight

USA Patent # US 10,344,952 B2 | Canada Patent # 2,967,954

Lotus LED Lights USA

250 H Street # 301, Blaine WA 98230 tel 360-200-5500
 Hainesport NJ, Naples FL, Dallas TX, Vancouver WA

www.LotusLEDLights.com

Lotus LED Lights CANADA

800-15355 24 Ave Box 200, Surrey BC V4A 2H9 tel 604-538-3090
 Delta BC & Mississauga ON