

8" Round Commercial Recessed LED 40W



Type IC, Air-Tight & Wet

DESCRIPTION

8" Round Recessed LED With Integral Driver In Connection Box
Commercial Grade Quality Built to Last

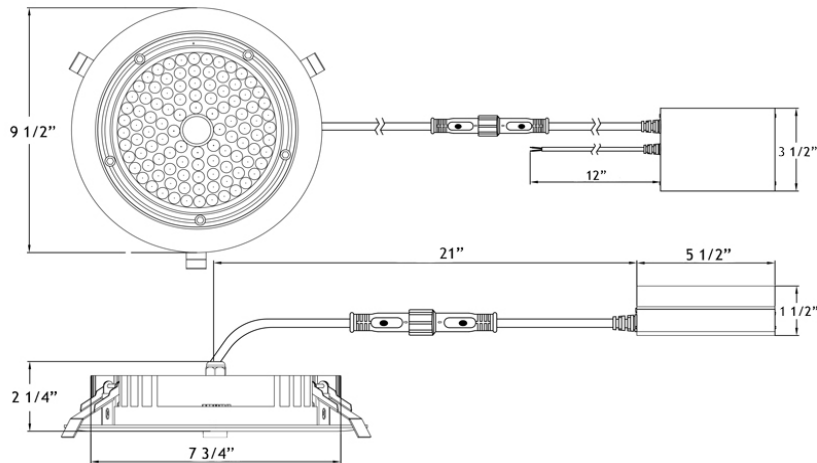
FEATURES & BENEFITS

2 1/4" Deep - Install Where Ceiling Space Is Limited
Type IC Rated - No Housing Required
Fast & Easy To Install - Save On Labor
Driver Inside Connection Box - No Junction Box Needed
Wet Location IP65 Approved

MOUNTING

Cut Hole In Ceiling And Snap Fixture In Opening With Attached Spring Clips. Ceiling Clearance Required: 2 1/4"

DIMENSIONS: ID 7 3/4" OD 9 1/2" Cut Out 8" to 8 1/2"



120V - 277V Driver Included 0-10V Dimmable



ORDERING GUIDE

	CCT	Trim
LL8R-30K-WH	3000K	White
LL8R-40K-WH	4000K	White
LL8R-30K-BK	3000K	Black
LL8R-40K-BK	4000K	Black

Project: _____

Location: _____

Cat #:

Qty: _____

Notes: _____

SPECIFICATION

SPECIFICATION	
Applications	High Ceilings Recessed Mount
Energy Used	40 W
Color Temperature K	3000 4000
Light Output lm	4500 4700
Equivalent	75 W MH HPS
Beam Angle	45°
CRI	80
Default Driver Input	120V-277V AC 0-10V Dimmable
Optional Driver Input	347V AC 0-10V Dimmable
Power Factor	0.95
Junction Box Wire Capacity	Max 5 No 12 AWG or 8 No 14 AWG
Approved Location	Insulated Ceilings, Wet Locations
IP Rating	IP 65
Air Tight	Yes
Ambient Temperature	-40°F (-40°C) to +104°F (+40°C)
Projected Life	70% Light Output at 50,000 Hours
Certification	cULus
Warranty	5 Year

AVAILABLE TRIMS



White



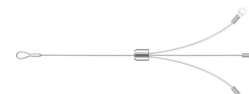
Black

ACCESSORIES

Sold Separately



Low Voltage Extensions 6ft cat # **BXC6**
FT4 / CMR rated. Max 40 ft Allowed



Pendant Mount Kit cat # **PMK810**
Includes Aircraft Cable & 6ft Extension



347V Input Driver 0-10V Dimmable
Order Separately as cat # **LLL-LD40WH**



Goof Ring White OD 10 1/2" cat # **GR810**

COMPLIANCE



Type IC
Air-Tight