

3" Square Regressed Gimbal LED 7.5W



Type IC, Wet & Air-Tight

DESCRIPTION

3" Square Regressed Gimbal LED
With Integral Driver In Connection Box
Gimbal Yet Air-Tight Without Housing Needed

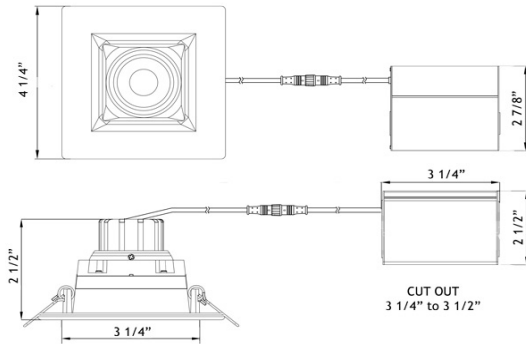
FEATURES & BENEFITS

2 1/2" Deep - Install Where Ceiling Space Is Limited
Type IC Rated - No Housing Required
Driver Inside Connection Box - No Junction Box Needed
CRI 90+ for True Color Rendering
Available in single CCT, Dim to Warm, & 5CCT

MOUNTING

Cut Hole In Ceiling And Snap Fixture In Opening
With Attached Spring Clips
Ceiling Clearance Required: 3 1/2"

DIMENSIONS: ID 3 1/4" OD 4 1/4" Sq Cut Out 3 1/4" to 3 1/2"



AVAILABLE TRIMS



White



Black

ORDERING GUIDE Example: **LSG3 - 30K - WH**

	CCT	Trim Finish	Beam Angle
LSG3	- xxK	- xx	-
2700K	27K	WH	for 38° leave blank
3000K	30K	BK	- 15D spot 15°
3500K	35K		
4000K	40K		
5000K	50K		
DTW 3K-2K	32K	Dim to Warm	3000K to 2000K
5CCT	5CCT	User selectable	27-30-35-40-50K

Note: DTW & 5CCT available in 38° degree only

Project: _____

Location: _____

Cat #: _____ Qty: _____

Notes: _____

SPECIFICATION	
Applications	Sloped Ceilings up to 20°, General Lighting
Energy Used	7.5 W
Color Temperature	2700 3000 3500 4100 5000 DTW 5CCT
Light Output	580 600 620 630 650 500
Halogen Equivalent	50 W
Beam Angle	38° or 15° with 20° tilt and 360° rotation
CRI	90 +
Default Driver Input	120V AC Triac Dimmable
Optional Driver Input	120V-347V AC 0-10V Dimmable
Junction Box Wire Capacity	Max 5 No 12 AWG or 8 No 14 AWG
Power Factor	0.95
Approved Location	Insulated Ceiling & Wet Locations
IP Rating	IP 54
Air Tight	Yes
Ambient Temperature	-40°F (-40°C) to +104°F (+40°C)
Projected Life	70% Light Output at 50,000 Hours
Certification	cULus, Energy Star (except DTW & 5CCT), T24
Warranty	10 Year Residential / 5 Year Commercial

120V TRIAC Dimmable
Driver Included

Optional 120V-347V
Driver 0-10V Dimmable
Order Separately as
Cat # **LLL-LD0716T**



ACCESSORIES

Sold Separately



Low Voltage Extension Cables
6ft - cat # **EXC6**, 20ft - cat # **EXC20**
Max 40 ft Allowed. FT4 / CMR rated



Flat Rough-In Plates - cat # **RIP312**



Flanged Plate with Hanger Bars
- cat # **FRP312**

COMPLIANCE



**Type IC
Air-Tight**

USA Patent # US 10,344,952 B2 | Canada Patent # 2,967,954