



Project Details

PROJECT	
DATE	
TYPE	
PREPARER	



The Historic Lantern post top is a traditional style high performance LED luminaire that compliments historical settings. The LNT Lantern has versatile mounting & controls options available. The power supply & LED source separated design promotes long service life and easy maintenance. It's die cast aluminum construction offers resistance from rust & high temperature environments. The LNT is the ideal choice for History districts, museums, plazas, shopping malls, gardens, pathways, parks, multifamily & other general outdoor lighting applications.

Construction

- Die-Cast Aluminum housing
- Anti-static powder coat
- IP65 Rating
- Frosted Glass Lens
- Superior thermal management

Installation & Mounting

- Wall Mount (Special Order)
- Tenon Mount
- Pole Mount

Controls & Dimming

- 0-10 Volt Dimming
- 12 Volt AUX
- Twist-lock Dusk to Dawn PC
- Bi-level Occupancy Sensor

PERFORMANCE

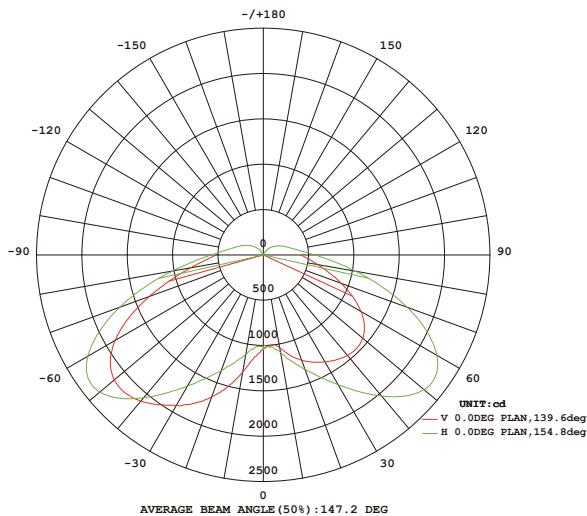
Summary

Input Voltage	100-277V, 277V-480V
Input Frequency	50/60 Hz
Rated Wattage	30W- 50W-60W ( <i>Watt &amp; CCT Selectable</i> ) 80W-100W-120W (Factory Order)
Efficacy	130 lm/W
CRI	>80
Available CCT	3000K, 4000K, 5000K( <i>Selectable</i> )
Rated Life (L70)	100,000 hrs
IP Rating	IP65
PF	>0.95
Certifications	UL, DLC, CE, RoHS
Working Temp. (°F)	-40°F - 122°F
LED Light Source	Lumileds 3030

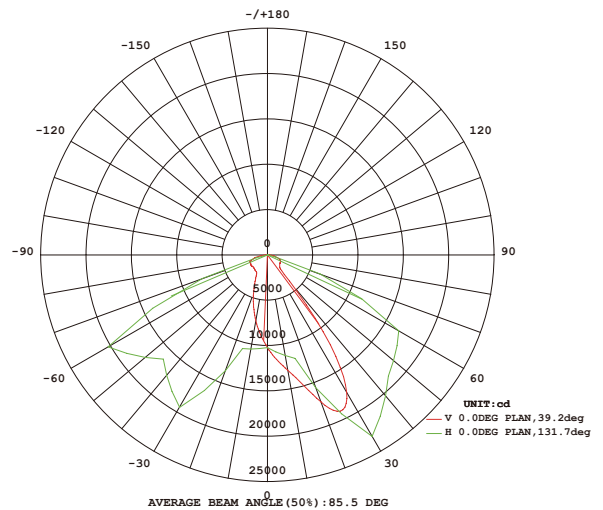


ISO Light Curve

Type V (Normal)



Type III (Optional)



**PERFORMANCE**

Data

MODEL	WATTAGE	CCT	LUMEN	EFFICACY (lm/W)	VOLTAGE
NB-LNT-30W	30watt	3000K, 4000K, 5000K	3,900lm	130 lm/W	100-277vac
NB-LNT-50W	50watt	3000K, 4000K, 5000K	6,500lm	130 lm/W	100-277vac
NB-LNT-60W	60watt	3000K, 4000K, 5000K	7,800lm	130 lm/W	100-277vac
NB-LNT-80W	80watt	3000K, 4000K, 5000K	10,400lm	130 lm/W	100-277vac
NB-LNT-100W	100watt	3000K, 4000K, 5000K	13,000lm	130 lm/W	100-277vac
NB-LNT-120W	120watt	3000K, 4000K, 5000K	15,600lm	130 lm/W	100-277vac

**ORDER**

Data

**Sample: NB-LNT-60W**

SERIES	WATTAGE	CCT	VOLTAGE	OPTICS		FINISH*
NB-LNT	30W- 50W-60W	30 = 3000K 40 = 4000K 50 = 5000K	BLANK = 100-277V HV = 347-480V	T3	T5	BLANK = Black
	80W-100W-120W					

\* contact the Nebulite sales team for turnaround time and pricing on finish color customizations

**MOUNTING |**

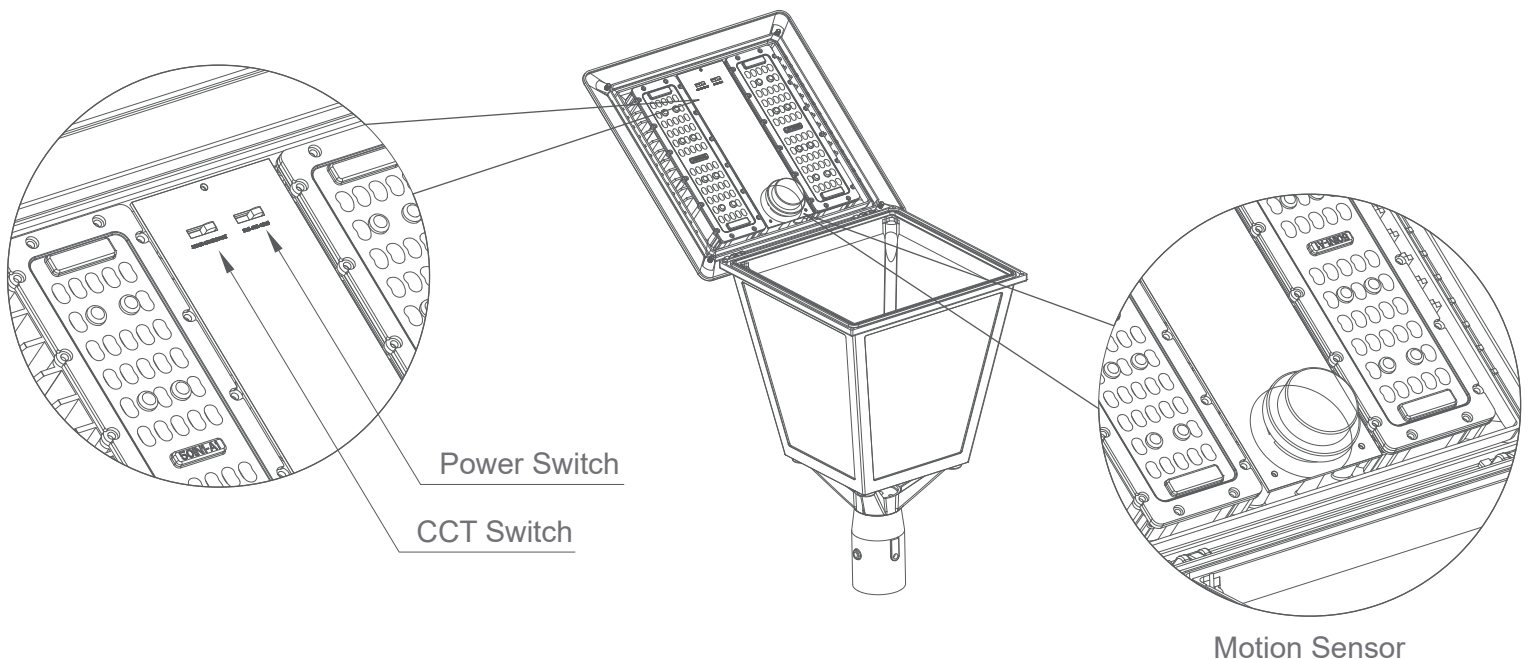
**OPTIONAL**

functions

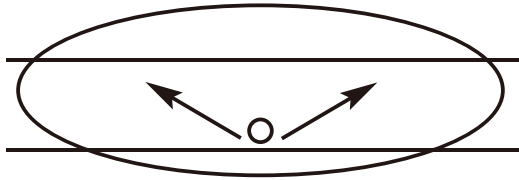
SF	2 3/8" Slip Fitter	SF2	3" Slip Fitter	PCN	JL-205C Photocell Sensor
				MS	Bi-Level Microwave Sensor

**CCT & POWER**

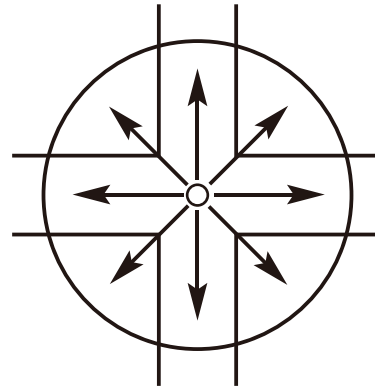
Select



TYPE III for Roadway Lighting

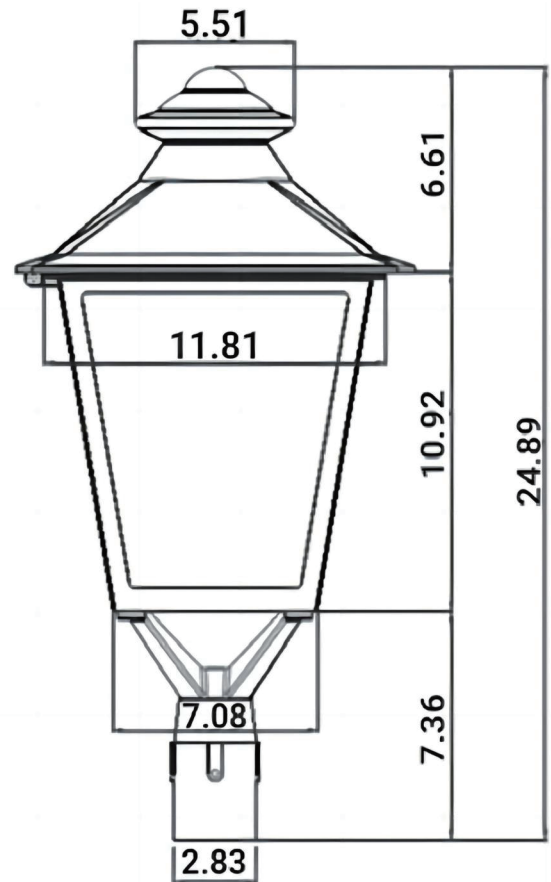
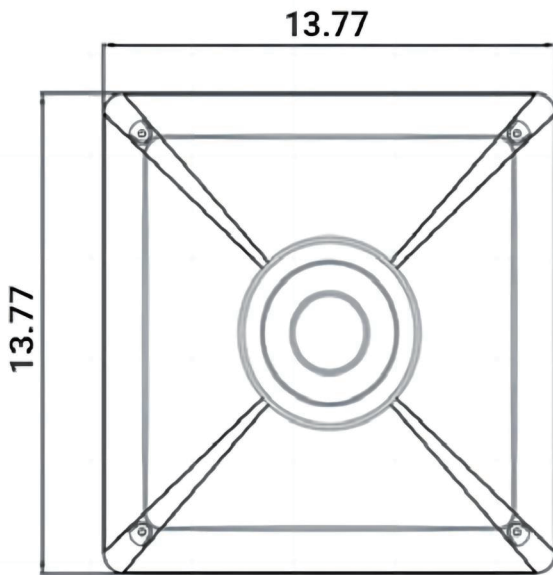


TYPE V for Garden Lighting



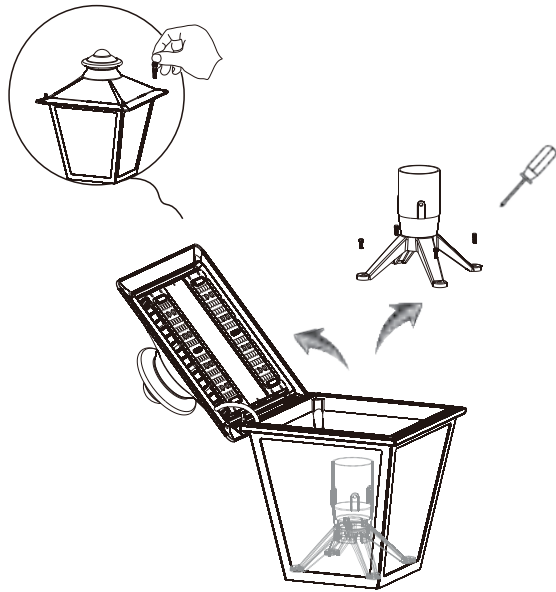
DIMENSIONS

30 Watt - 120 Watt  
Housing Size (in)

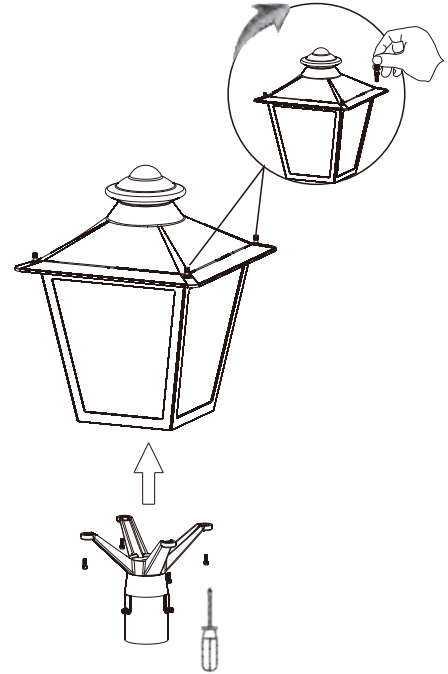


Note: If mount base is pre-installed, Please skip step 1 and 2 , just follow step 3 and 4

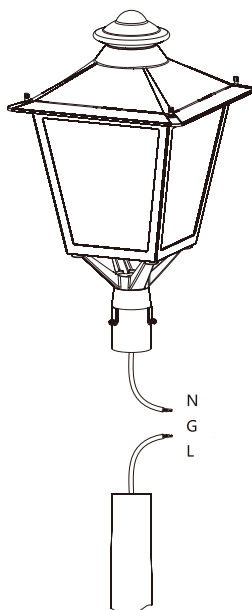
1) Remove four screws from top roof , open it and get the mount base out.



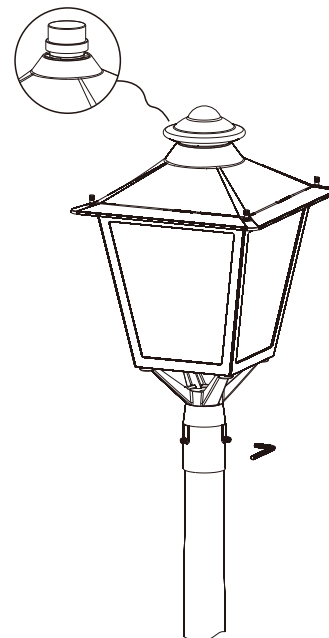
2) Get the cord through the middle hole of mount base, then attach the mount base to bottom of the fixture, align the screw holes and fix it. Close the top roof and tighten four screws



3) Connect the ACL and the ACN from the lighting fixture to the conduit with the AC power supply cords .Follow the wiring diagram provided as below.



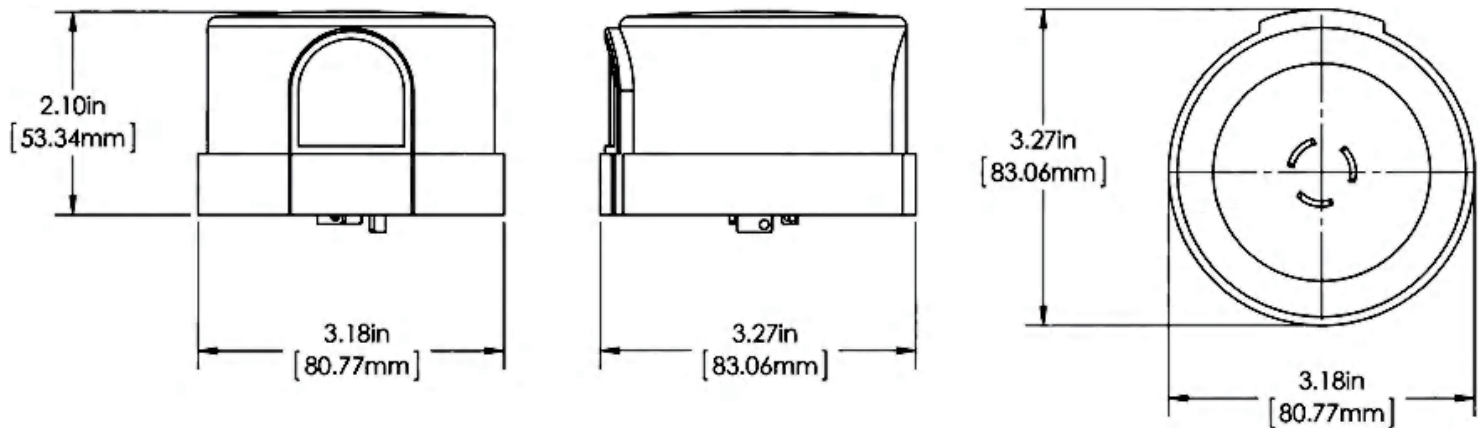
4) Slip the fixture over the pole and tighten three screws with the mount bases below.





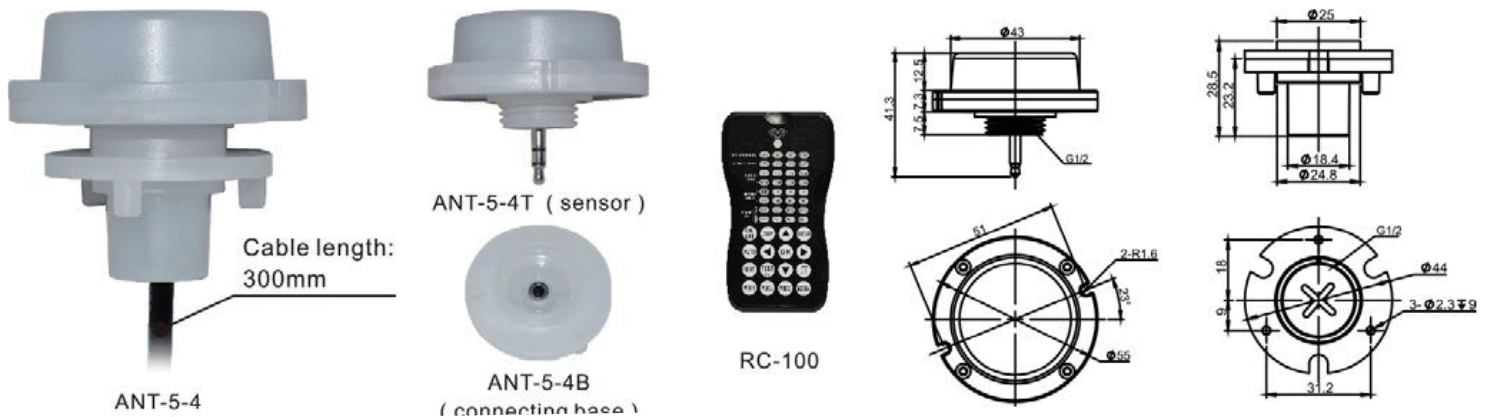
Product Model	JL-205C
Rated Voltage	110-277VAC
Applicable Voltage Range	105-305VAC
Rated Frequency	50/60Hz
Rated Loading	1000W Tungsten; 1800VA Ballast
Power Consumption	0.5W [STD] / 0.9W [HP]
On/Off Level	16Lx On 24Lx Off
Ambient Temp.	-40°C ~ +70°C
Related Humidity	99%
Overall Size	84(Dia.) x 66mm
Weight Approx.	110g [STD] / 125g [HP]

DIMENSIONS



MS BI-LEVEL MICROWAVE SENSOR

For High Bay Light ANT-5-4 Instruction



## INTRODUCTION

The ANT-5-4 is a motion sensor that dims lighting from high to low based on movement.

This slim, low-profile sensor is designed for installation inside the bottom of a light fixture body.

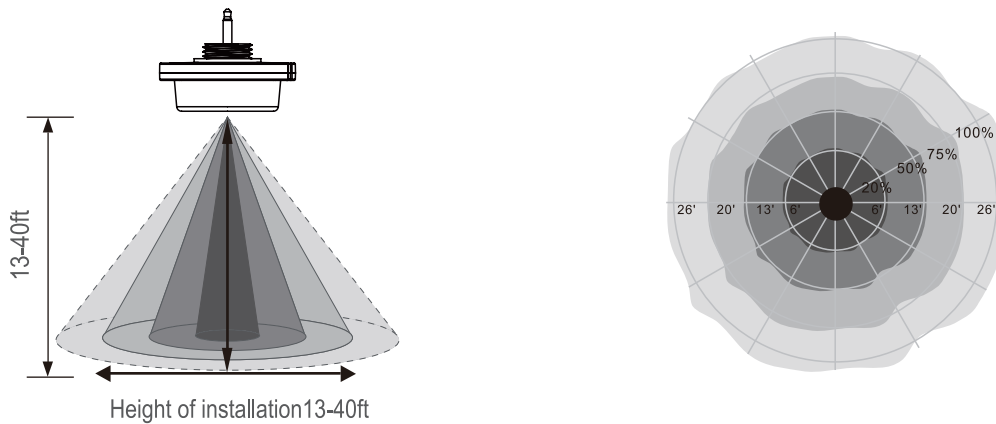
The sensors use microwave sensing technology that reacts to changes in movement within the coverage area.

Once the sensor stops detecting movement and the time delay elapses lights will go from high to low mode and eventually to an OFF position if it is desired.

Sensors must directly “see” motion of a person or moving object to detect them, so careful consideration must be given to sensor luminaire placement and lens selection.

Avoid placing the sensor where obstructions may block the sensor’s line of sight.

## SENSOR Coverage



## SPECIFICATIONS

Operating Voltage	12-24Vdc
Max. Current Sink	50mA±5%
HF System	5.8GHz±75MHz
Transmission Power	<0.2mW
Dim Control Output	0-10V
Detection radius	20%/50%/75%/100% (1-8m)
Mounting Height Max 50ft.	(15 meters)
Time setting	10s/1min/5min/10min/15min/20min/30min/60min
Light-control	24H/10LUX/30LUX/50LUX
Temperature	-4°F — +140°F (-20°C — +60°C)
IP rating	IP65