

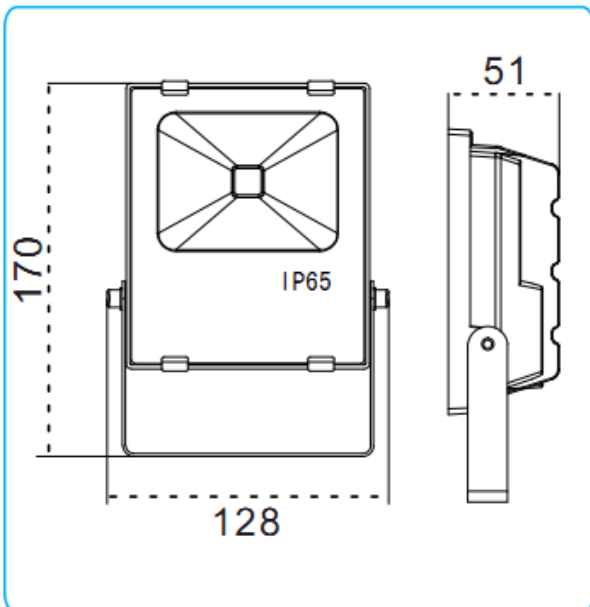
PRODUCT DESCRIPTION:

General flood lighting, corridor lighting, security lighting, and roof top lighting. Can also be used as a high bay.

FEATURES:

- Mercury Free
- No UV
- Flexible, modular design
- Easy Installation
- Daylight Sensor available

DIMENSIONS:



Flood Light 10W Spec

LOD-FL-10W50K-HL (With Nichia 3030 LED)



SPECIFICATIONS:

SPECIFICATION	Details
Model	LOD-FL-10W50K-HL (With Nichia 3030 LED)
Input Wattage (W)	10W
Lumens Delivered (LM)	1,200LM
Efficacy (LM/W)	120LM/W
CRI	75
Lifespan	50,000 hours
Color Temperature	5,000K
Wattage Equivalent	60W
Dimmable	No
IP Rating	IP65
Beam Angle	120
Input Voltage	AC100-277V
Power Factor	0.95
Housing	Aluminum
Lens	Clear
Mounting	Bracket
THD	20%
Size	6.69" x 5.04" x 2.0"
Operating Temperature	-20°C to 50°C (-4°F to 122°F)
Certification	DLC, ETL, FCC, CE RoHS, TUV, ISO9001
Environment	Outdoor
Warranty	5 years limited

OPTIONAL ACCESSORIES:

Photocell

