

LED Flood Light Series

FEATURES

- IP65 rated
- Easy installation and maintenance
- No Mercury or UV
- Daylight sensor available
- 50,000 hours lifetime



50W



200W

SUITABLE APPLICATIONS

- Warehouses
- Stadiums
- Factories
- Parking Lots
- Shopping Malls
- Supermarkets
- Logistic Centers
- Auto dealerships

CONSTRUCTION:

Aluminum housing with polyester powder-coated finish.

OPTICAL SYSTEM:

Nichia 3030 LED chips. High quality tempered glass optics. 120° beam angle.

WARRANTY:

5-year limited warranty. Actual performance may differ as a result of end-user environment and application.

ELECTRICAL:

Available as 100-277V input. -20°C to 50°C, -4°F to 122°F

INSTALLATION & MOUNTING:

Bracket mounting.

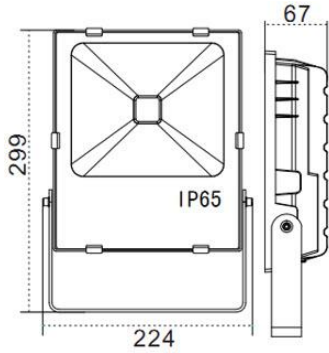


Intertek

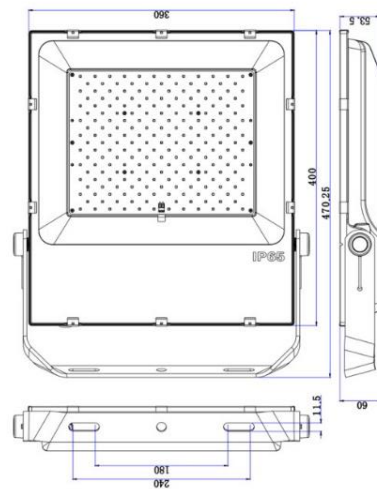
MODEL NUMBER – 5,000K	WATTAGE	LUMENS	EFFICACY	CRI	POWER FACTOR	THD	REPLACES
LOD-FL-50W50K-HL	50W	6,200LM	124LM/W	75	0.95	20%	100W – 150W
LOD-FL-200W50K-HL	200W	24,500LM	123LM/W	75	0.95	11%	500W - 600W

Series	Wattage	Color Temperature	Voltage
LOD-FL	50W 200W	5000K	LV = 120-277V

MEASUREMENTS



50W

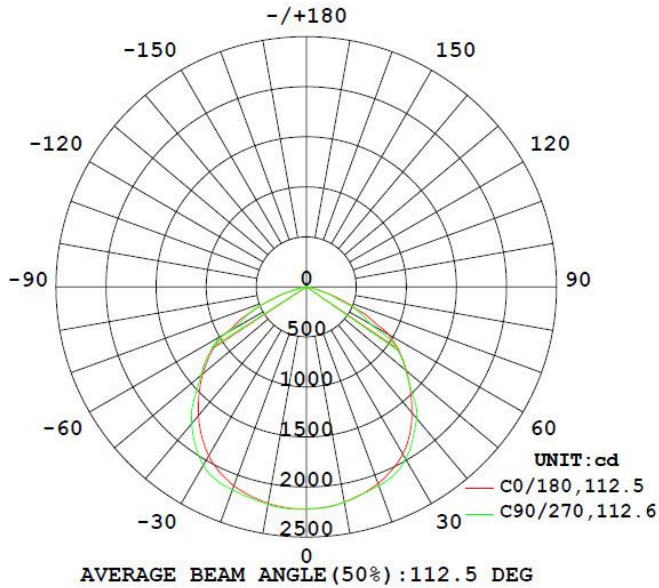


200W

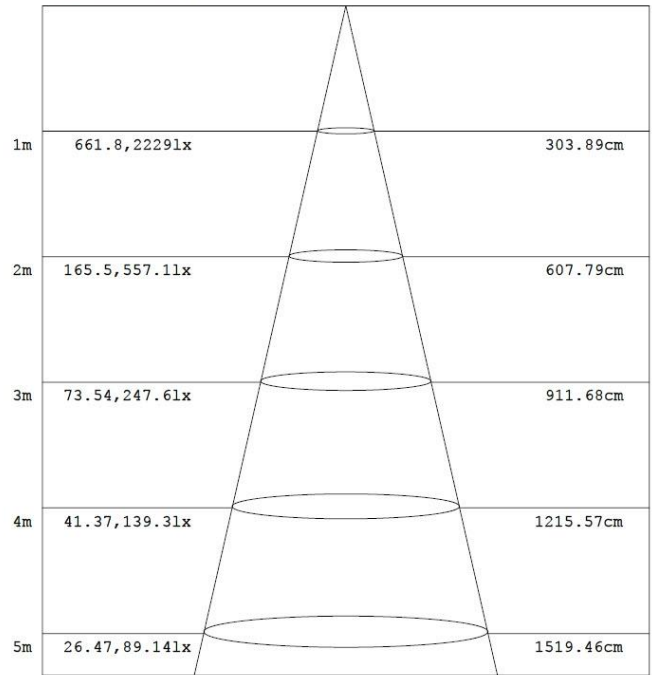
MODEL	QUANTITY	WEIGHT	UPC CODE
LOD-FL-50W50K-HL	1	lbs	00815586027989
LOD-FL-200W50K-HL	1	lbs	00815586028016

PHOTOMETRIC DATA

50W

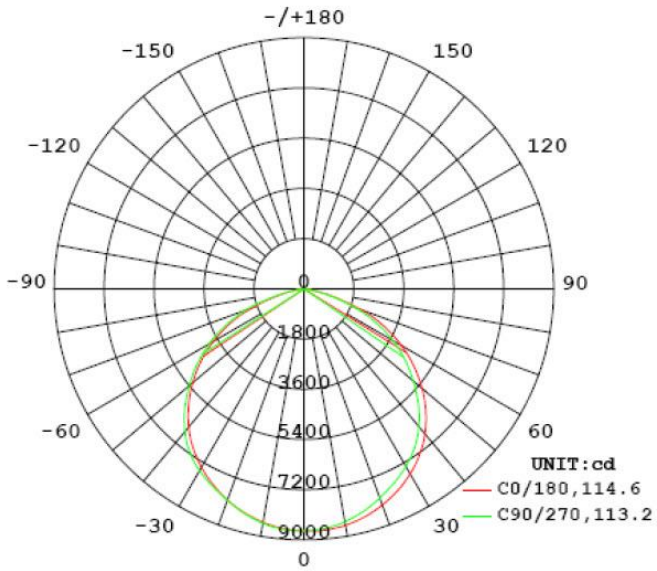


Flux out: 4930 lm

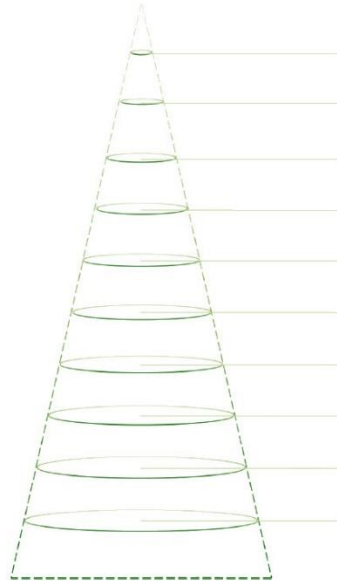


Note: The Curves indicate the illuminated area and the average illumination when the luminaire is at different distance.

200W



Angle: 113.8°. Flux out: 18725.0 lm.



Height (m)	Diameter (cm)	E _{avg} (lx)	E _{max} (lx)
0.5	153.40	10055.0	34969.0
1.0	306.80	2514.0	8742.0
1.5	460.20	1117.0	3885.0
2.0	613.60	628.4	2186.0
2.5	767.00	402.2	1399.0
3.0	920.40	279.3	971.4
3.5	1073.80	205.2	713.6
4.0	1227.20	157.1	546.4
4.5	1380.60	124.1	431.7
5.0	1534.00	100.5	349.7