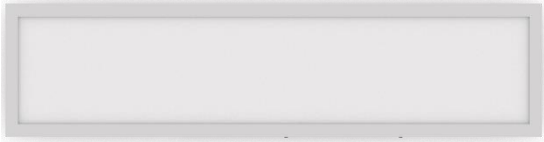
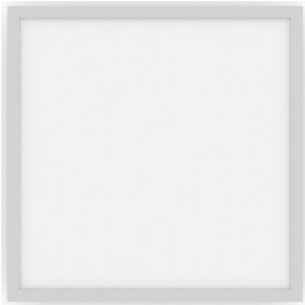


## LED Multi Watt Multi CCT Back Lit Panel Family Series



**1x4**

20W, 25W and 30W



**2x2**

20W, 25W and 30W



**2x4**

30W, 35W and 40W

### CONSTRUCTION:

Steel and Aluminum frame. PMMA lens material to prevent panel from yellowing. The entire fixture functions as a heat sink to keep the LEDs cooler to prolong the life of the light.

### OPTICAL SYSTEM:

Samsung 2835 LED chips. 120° beam angle.

### WARRANTY:

5-year limited warranty. Actual performance may differ as a result of end-user environment and application.

### ELECTRICAL:

120-277V input standard.  
-20°C to 50°C, -4°F to 122°F

### INSTALLATION & MOUNTING:

Fits standard T-bar and narrow grid drop ceilings. Surface mount kit, recessed kit or suspension mount.

### CONTROLS & DIMMING:

0-10V dimming comes standard. Suitable for use with LED dimmers

### FEATURES

- Default Wattage is the highest wattage
  - 2x4 – 40W
  - 2x2 – 30W
  - 1x4 – 30W
- Default CCT: 5,000K
- IP20 rating – dry location
- Glare-free / flicker-free lighting
- 50,000 hours lifetime

### SUITABLE APPLICATIONS

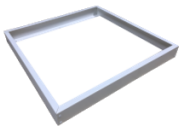
- Warehouses
- Schools
- Factories
- Offices
- Supermarkets
- Logistic Centers
- Exhibition Halls

### DLC Product ID:

- LOC-22AJPL-MW(20/25/30)MCCT(35/40/50)D – PTRMDAL7
- LOC-24AJPL-MW(30/35/40)MCCT(35/40/50)D – P8CUBW2Z



### MOUNTING OPTIONS:



Surface Mount



Recessed Mount



Hanging Kit

### OPTIONAL ACCESSORIES:



Emergency Battery



Mounting T-Bar Kit for  
Emergency Driver

## LOC-14AJPL-MW(20/25/30)MCCT(35/40/50)D

WATTAGE SELECTABLE	CCT SELECTABLE	LUMENS	EFFICACY	VOLTAGE	CRI	POWER FACTOR	THD	REPLACES
20W	3500K / 4000K / 5000K	2,500LM	125lm/W	120-277V	83.1	0.9	15%	150W HID
25W	3500K / 4000K / 5000K	3,125LM	125lm/W	120-277V	83.1	0.9	15%	150W HID
30W	3500K / 4000K / 5000K	3,750LM	125lm/W	120-277V	83.1	0.9	15%	150W HID

## LOC-22AJPL-MW(20/25/30)MCCT(35/40/50)D

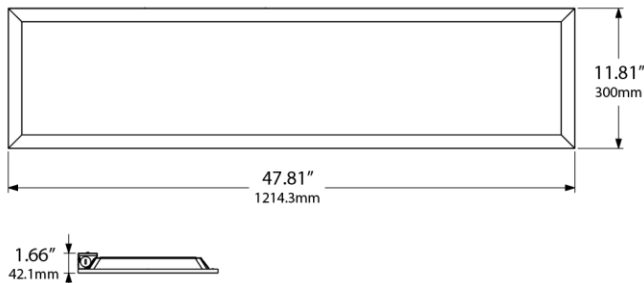
WATTAGE SELECTABLE	CCT SELECTABLE	LUMENS	EFFICACY	VOLTAGE	CRI	POWER FACTOR	THD	REPLACES
20W	3500K / 4000K / 5000K	2,500LM	125lm/W	120-277V	83.1	0.9	15%	150W HID
25W	3500K / 4000K / 5000K	3,125LM	125lm/W	120-277V	83.1	0.9	15%	150W HID
30W	3500K / 4000K / 5000K	3,750LM	125lm/W	120-277V	83.1	0.9	15%	150W HID

## LOC-24AJPL-MW(30/35/40)MCCT(35/40/50)D

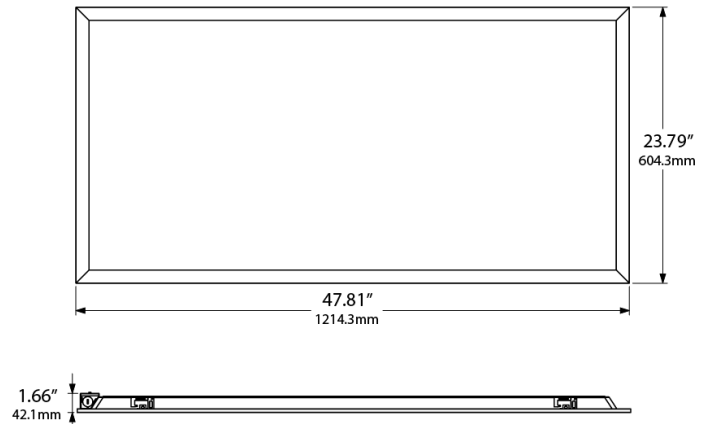
WATTAGE SELECTABLE	CCT SELECTABLE	LUMENS	EFFICACY	VOLTAGE	CRI	POWER FACTOR	THD	REPLACES
30W	3500K / 4000K / 5000K	3,750LM	125lm/W	120-277V	83.8	0.9	15%	200W HID
35W	3500K / 4000K / 5000K	4,375LM	125lm/W	120-277V	83.8	0.9	15%	200W HID
40W	3500K / 4000K / 5000K	5,000LM	125lm/W	120-277V	83.8	0.9	15%	200W HID

## MEASUREMENTS

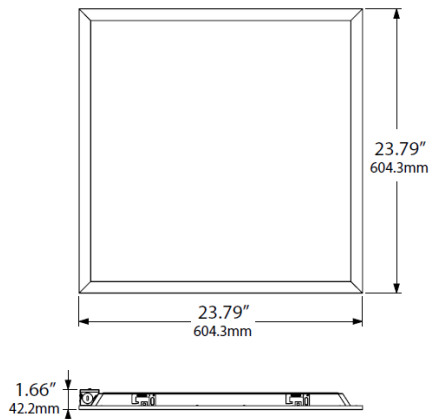
**1x4**



**2x4**



**2x2**



MODEL	QUANTITY	WEIGHT	UPC CODE
LOC-14AJPL-MW(20/25/30)MCCT(35/40/50)D	1	4.28 lbs	00810050943369
LOC-22AJPL-MW(20/25/30)MCCT(35/40/50)D	1	3.86 lbs	00810050941174
LOC-24AJPL-MW(30/35/40)MCCT(35/40/50)D	1	8.82 lbs	00810050941181