

LED LOC-#FTVT Multi Wattage Multi CCT Vapor Tight Light Family Series



2 Foot
20W / 25W / 30W



4 Foot
25W / 35W / 50W



8 Foot
60W / 75W / 90W

CONSTRUCTION:

PC housing and white cover with stainless steel clips.

OPTICAL SYSTEM:

Lumiled 2835 LED chips. 110° beam angle.

WARRANTY:

5-year limited warranty. Actual performance may differ as a result of end-user environment and application.

ELECTRICAL:

120-277V input standard.
-20°C to 40°C, -4°F to 104°F

INSTALLATION & MOUNTING:

Surface mount or suspension mount.

CONTROLS & DIMMING:

0-10V dimming comes standard. Suitable for use with LED dimmers. Auxiliary 12V output.

FEATURES

- Default Wattage:
 - 2FT – 30W
 - 4FT – 50W
 - 8FT – 90W
- Default CCT: 5,000K
- IK10 & IP66 rating
- NSF rated for splash zone and nonfood zone
- Glare-free / flicker-free lighting
- Linkable design (see page 2 for details)
- 100,000 hours lifetime

SUITABLE APPLICATIONS

- Warehouses
- Schools
- Factories
- Offices
- Supermarkets
- Logistic Centers
- Exhibition Halls

MOUNTING OPTIONS:



Surface Mount



Suspension Kit
(Not included)

DLC Product ID:

- LOC-2FTVT-MW(20/25/30)MCCT(35/40/50) – PLUSZ185M69U
- LOC-4FTVT-MW(25/35/50)MCCT(35/40/50) – PL40VBVLJR1U
- LOC-8FTVT-MW(60/75/90)MCCT(35/40/50) – PL58ADS82T9A

OPTIONAL ACCESSORIES:



Emergency Back-up



Sensor



Remote Control
LOC-RC-100



LOC-2FTVT-MW(20/25/30)MCCT(35/40/50)

WATTAGE SELECTABLE	CCT SELECTABLE	LUMENS	EFFICACY	VOLTAGE	CRI	POWER FACTOR	THD	REPLACES
20W	3500K / 4000K / 5000K	2,738.2LM	136.91LM/W	120-277V	81.7	0.9049	15.76%	2 17W LED tube
25W	3500K / 4000K / 5000K	3,422.75LM	136.91LM/W	120-277V	81.7	0.9049	15.76%	2 17W LED tube
30W	3500K / 4000K / 5000K	4,086.6LM	136.91LM/W	120-277V	81.7	0.9049	15.76%	2 32W LED tube

LOC-4FTVT-MW(25/35/50)MCCT(35/40/50)

WATTAGE SELECTABLE	CCT SELECTABLE	LUMENS	EFFICACY	VOLTAGE	CRI	POWER FACTOR	THD	REPLACES
25W	3500K / 4000K / 5000K	3,395.75LM	135.83LM/W	120-277V	81.7	0.9154	9.68%	2 17W LED tube
35W	3500K / 4000K / 5000K	4,754.05LM	135.83LM/W	120-277V	81.7	0.9154	9.68%	2 17W LED tube
50W	3500K / 4000K / 5000K	6,775.3LM	135.83LM/W	120-277V	81.7	0.9154	9.68%	2 32W LED tube

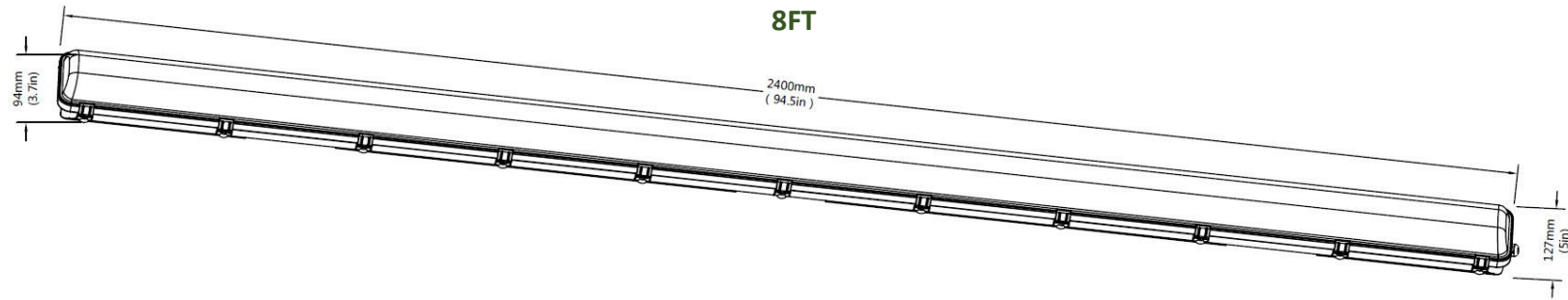
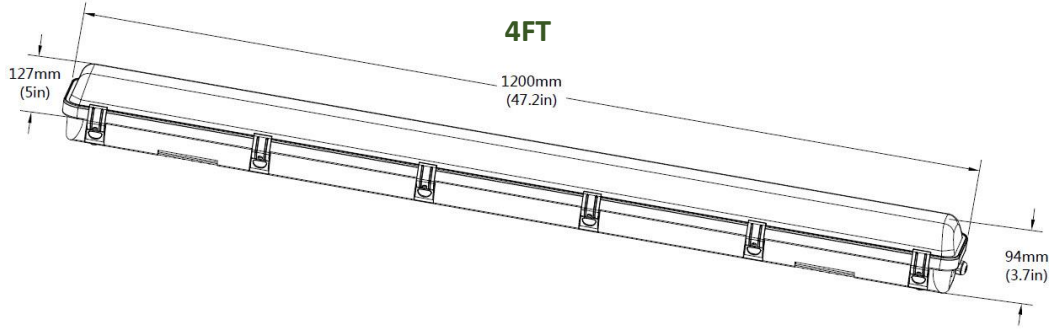
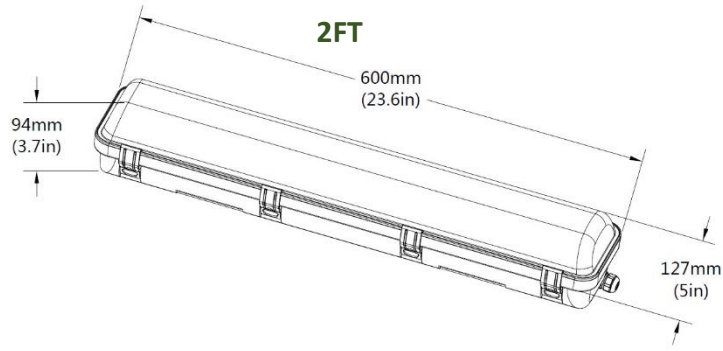
LOC-8FTVT-MW(60/75/90)MCCT(35/40/50)

WATTAGE SELECTABLE	CCT SELECTABLE	LUMENS	EFFICACY	VOLTAGE	CRI	POWER FACTOR	THD	REPLACES
60W	3500K / 4000K / 5000K	8,340LM	135.5LM/W	120-277V	80	0.9	15%	2 32W LED tube
75W	3500K / 4000K / 5000K	10,162.5LM	135.5LM/W	120-277V	80	0.9	15%	4 32W or 2 59W LED tube
90W	3500K / 4000K / 5000K	12,870LM	135.5LM/W	120-277V	80	0.9	15%	4 32W or 2 59W LED tube

LINKING TOGETHER

Model Number	Voltage (18AWG)	Linkable Qty	Voltage (16AWG)	Linkable Qty
LOC-2FTVT-MW(20/25/30)MCCT(35/40/50)	120V	30	120V	45
	240V	60	240V	90
	277V	70	277V	110
LOC-4FTVT-MW(25/35/50)MCCT(35/40/50)	120V	18	120V	25
	240V	35	240V	50
	277V	40	277V	60
LOC-8FTVT-MW(60/75/90)MCCT(35/40/50)	120V	10	120V	15
	240V	21	240V	30
	277V	24	277V	35

MEASUREMENTS



MODEL	QUANTITY	WEIGHT	UPC CODE
LOC-2FTVT-MW(20/25/30)MCCT(35/40/50)	1	3.45 lbs	00815586029716
LOC-4FTVT-MW(25/35/50)MCCT(35/40/50)	1	6.06 lbs	00815586029709
LOC-8FTVT-MW(60/75/90)MCCT(35/40/50)	1	11.02 lbs	00815586029723