



7" 12W



9" 17W



12" 21W



14.5" 25W

LED Multi CCT Round Panel Down Light

CONSTRUCTION:

Downlight body and endcaps are fabricated from aluminum for maximum rigidity. Lightweight aluminum heat sink designed to perform naturally convective cooling.

OPTICAL SYSTEM:

Bridgelux LED chips. General, medium, aisle distributions available to meet both horizontal and vertical light level requirements. Injection molded refractors for repeatable photometry.

WARRANTY:

3-year limited warranty. Actual performance may differ as a result of end-user environment and application.

ELECTRICAL:

Uses a 60°C-case temperature driver for maximum life at high temperatures. 0.90 power factor. Available as 120V input. -20°C to 40°C, -4°F to 104°F

INSTALLATION & MOUNTING:

Suitable for surface mount, spring clips or E26 base screw-in.

DIMMING:

Dimmable range from 10% to 100% with Lutron dimmer.

FEATURES

- Default CCT: 5,000K
- 5CCT selectable
- In-line dimming
- IP rating of 20
- Easy installation and maintenance
- Corrosion and rust proof
- 50,000 hours lifetime

SUITABLE APPLICATIONS

- Kitchens
- Bedrooms
- Bathrooms
- Corridors
- Hallways
- Museums



Energy Star ID:

- LOC-7RDDDL-12WMCCT – 2362879
- LOC-9RDDDL-17WMCCT – 2362880
- LOC-12RDDDL-21WMCCT – 2362765
- LOC-14.5RDDDL-25WMCCT - 2362766



OPTIONAL ACCESSORY:



Emergency Battery
LOC-EMDR-25WHV

LOC-7RDDL-12WMCCT

WATTAGE	CCT SELECTABLE	LUMENS	EFFICACY	VOLTAGE	CRI	POWER FACTOR	REPLACES
12W	2700K / 3000K 3500K / 4000K / 5000K	960LM	80lm/W	120V	83	0.8	12W – 75W

LOC-9RDDL-17WMCCT

WATTAGE	CCT SELECTABLE	LUMENS	EFFICACY	VOLTAGE	CRI	POWER FACTOR	REPLACES
17W	2700K / 3000K 3500K / 4000K / 5000K	1,300LM	76.5lm/W	120V	83	0.9	17W – 90W

LOC-12RDDL-21WMCCT

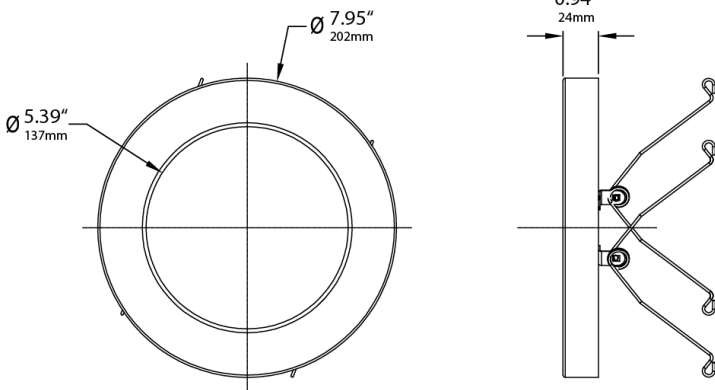
WATTAGE	CCT SELECTABLE	LUMENS	EFFICACY	VOLTAGE	CRI	POWER FACTOR	REPLACES
21W	2700K / 3000K 3500K / 4000K / 5000K	1,800LM	85.7lm/W	120V	83	1.0	21W – 120W

LOC-14.5RDDL-25MCCT

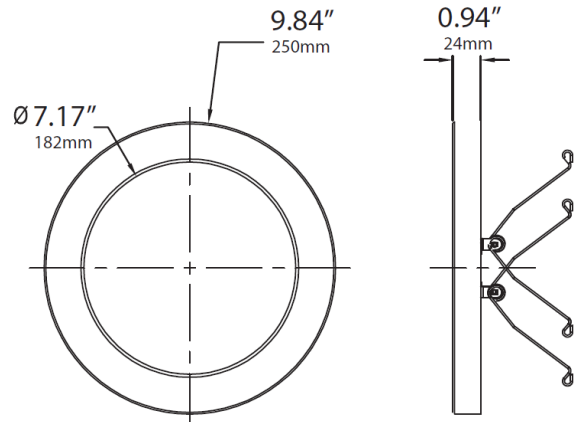
WATTAGE	CCT SELECTABLE	LUMENS	EFFICACY	VOLTAGE	CRI	POWER FACTOR	REPLACES
25W	2700K / 3000K 3500K / 4000K / 5000K	2,000LM	80lm/W	120V	83	1.0	25W – 135W

MEASUREMENTS

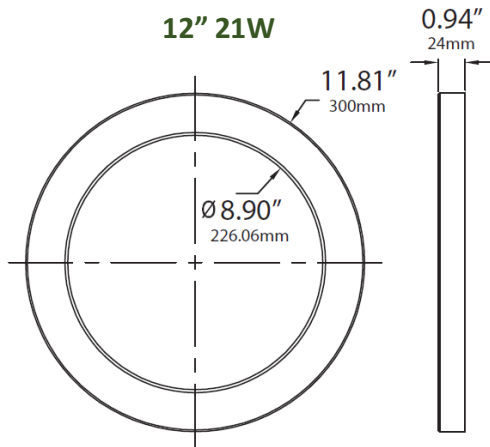
7" 12W



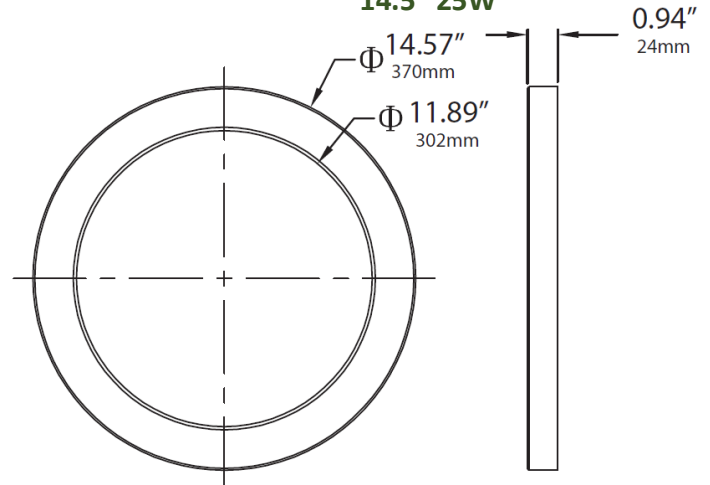
9" 17W



12" 21W



14.5" 25W



MODEL	QUANTITY	WEIGHT	UPC CODE
LOC-7RDDL-12WMCCT	1	1.07 lbs	00810050941730
LOC-9RDDL-17WMCCT	1	1.55 lbs	00810050941563
LOC-12RDDL-21WMCCT	1	2.43 lbs	00810050941471
LOC-14.5RDDL-25WMCCT	1	3.64 lbs	00810050941617